







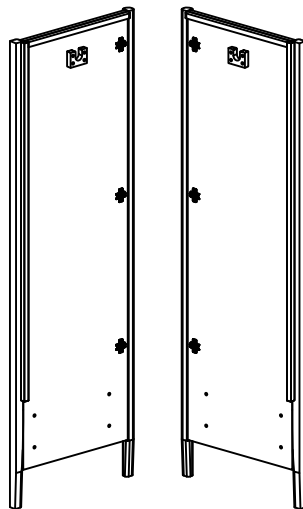


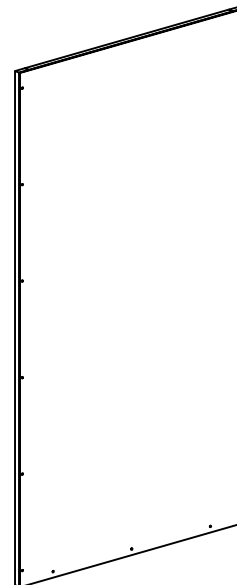
ASSEMBLY INSTRUCTION

GENTS WARDROBE

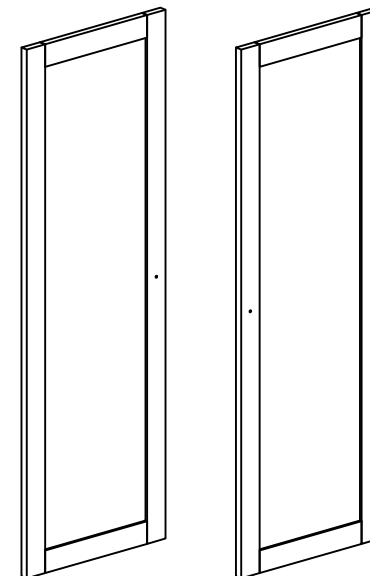
No	Hardware	Qty
1	Hinge 	06
2	Wood dowel Ø8x30 	01
3	Bolt M6x30 	08
4	Allen key (K4) 	01
5	Screw Ø4x35 	24
6	Handle with bolt 	2 sets
7	Bracket 	02
8	Tie 	02



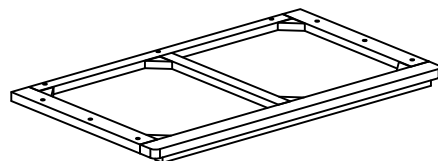
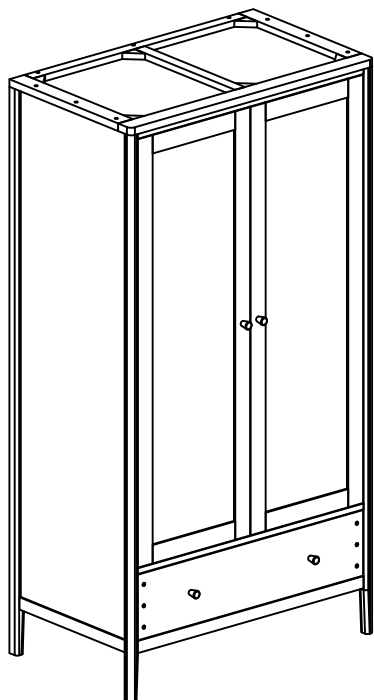
A - Side frame (x2)
(Left-Right)



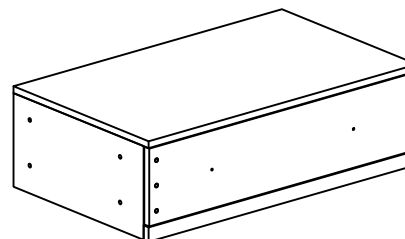
B - Back frame (x1)



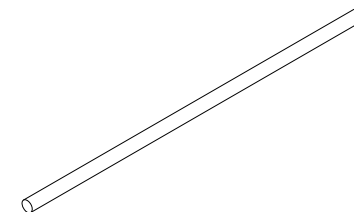
C - Door (x2)



D - Top frame (x1)



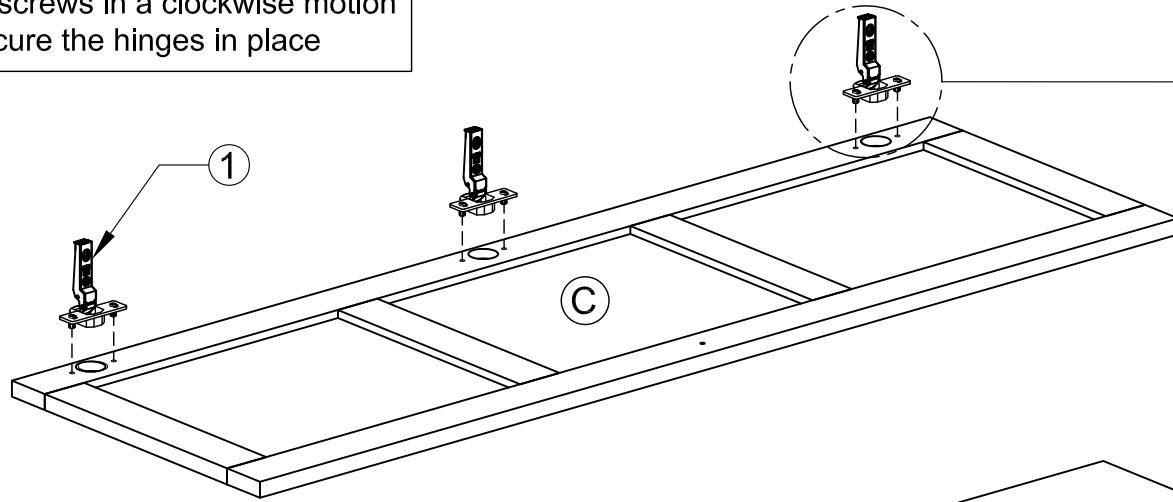
E - Drawer cabinet (x1)



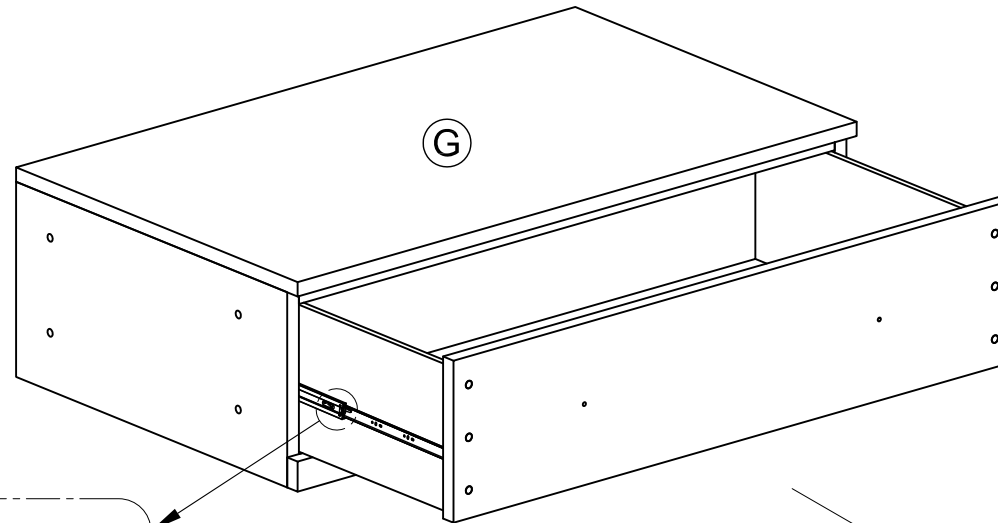
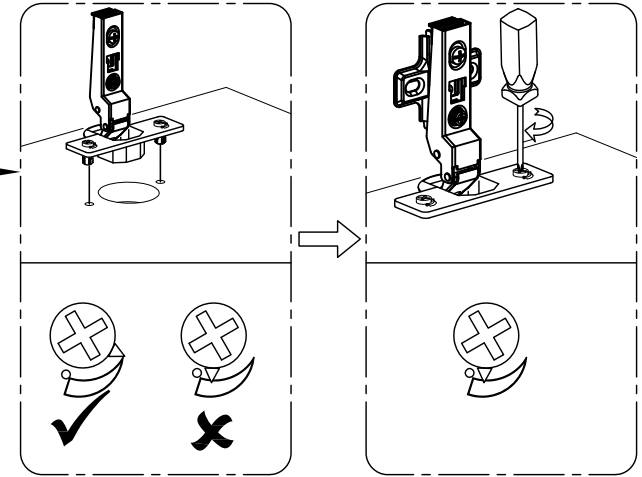
F - Hanging rail (x1)

STEP 1

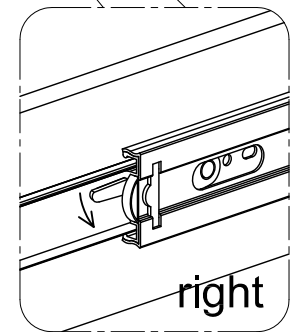
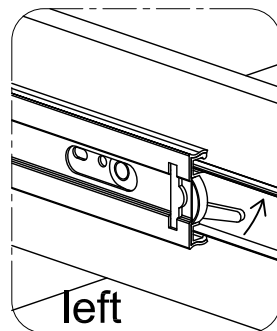
NOTE:
Turn screws in a clockwise motion to secure the hinges in place



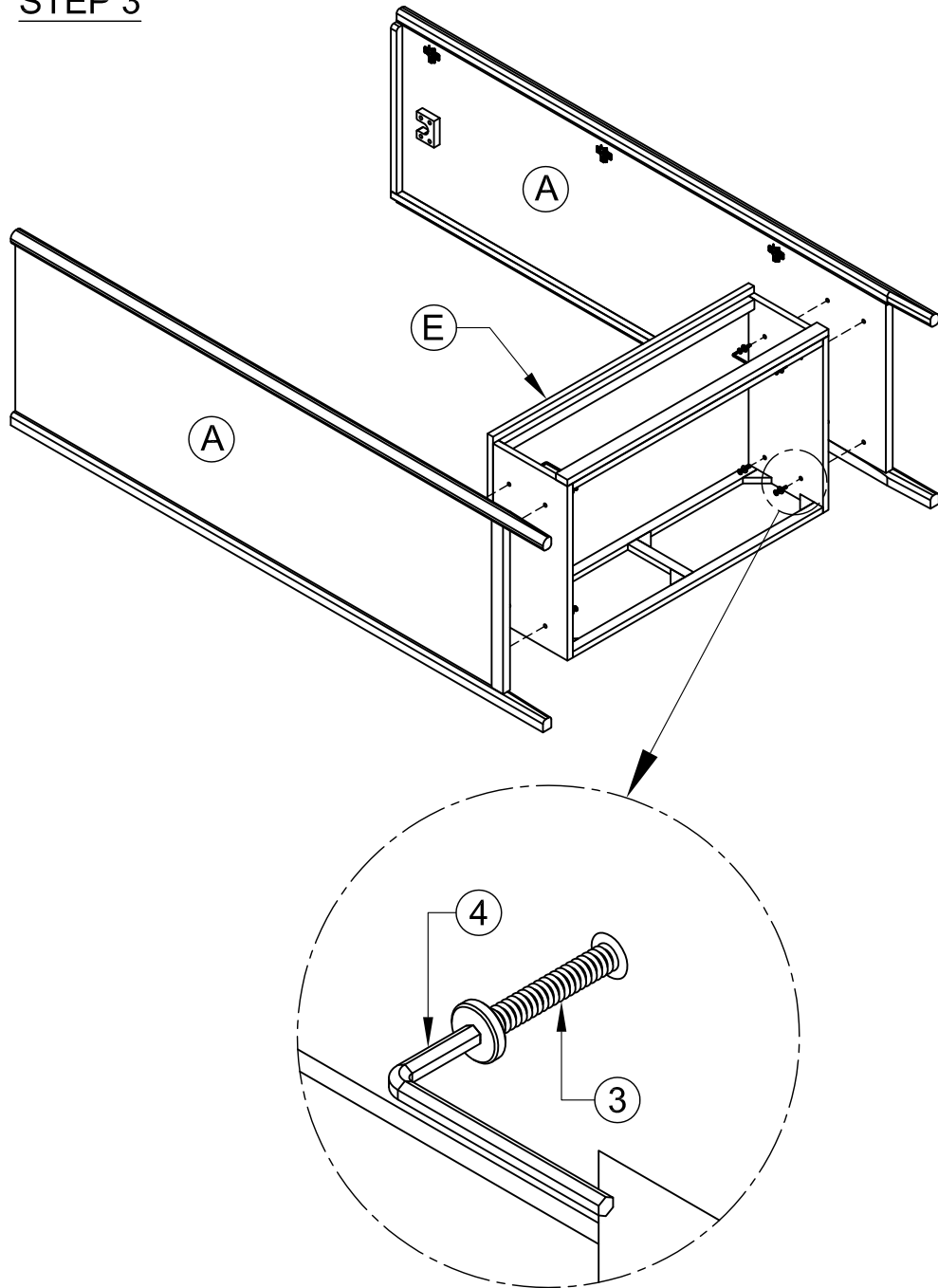
STEP 2



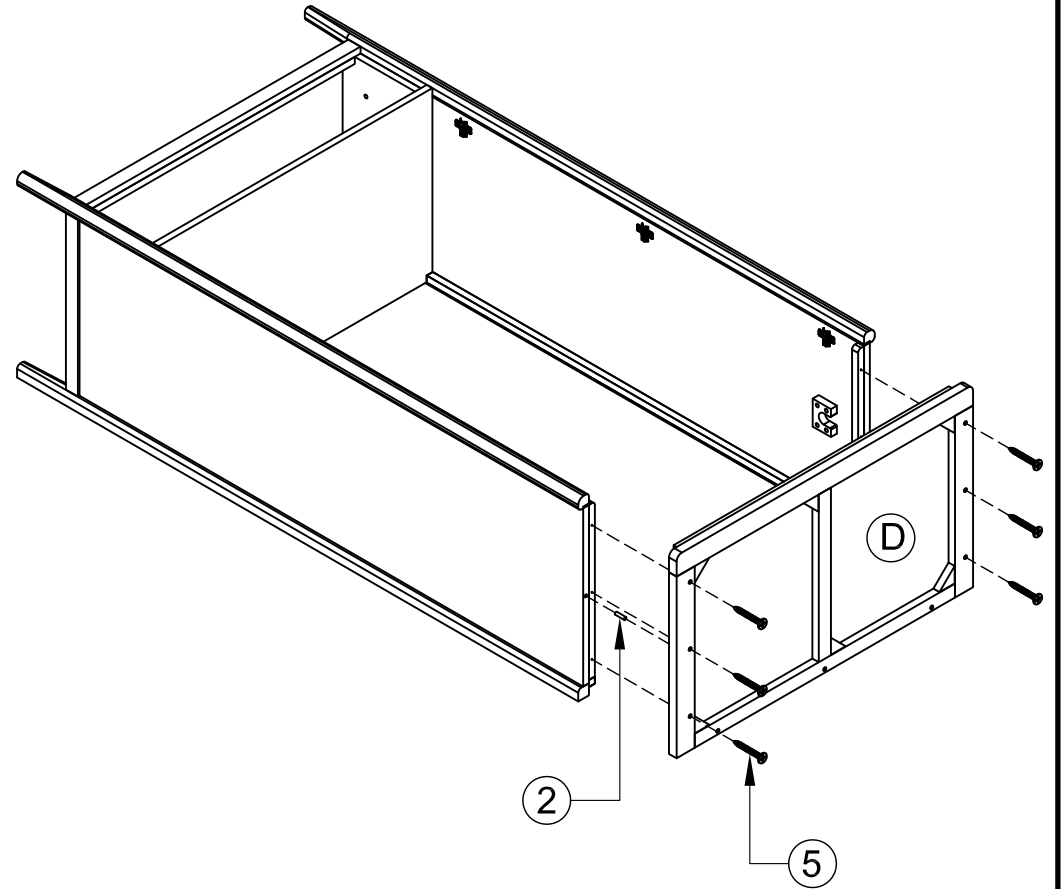
Take out the drawer



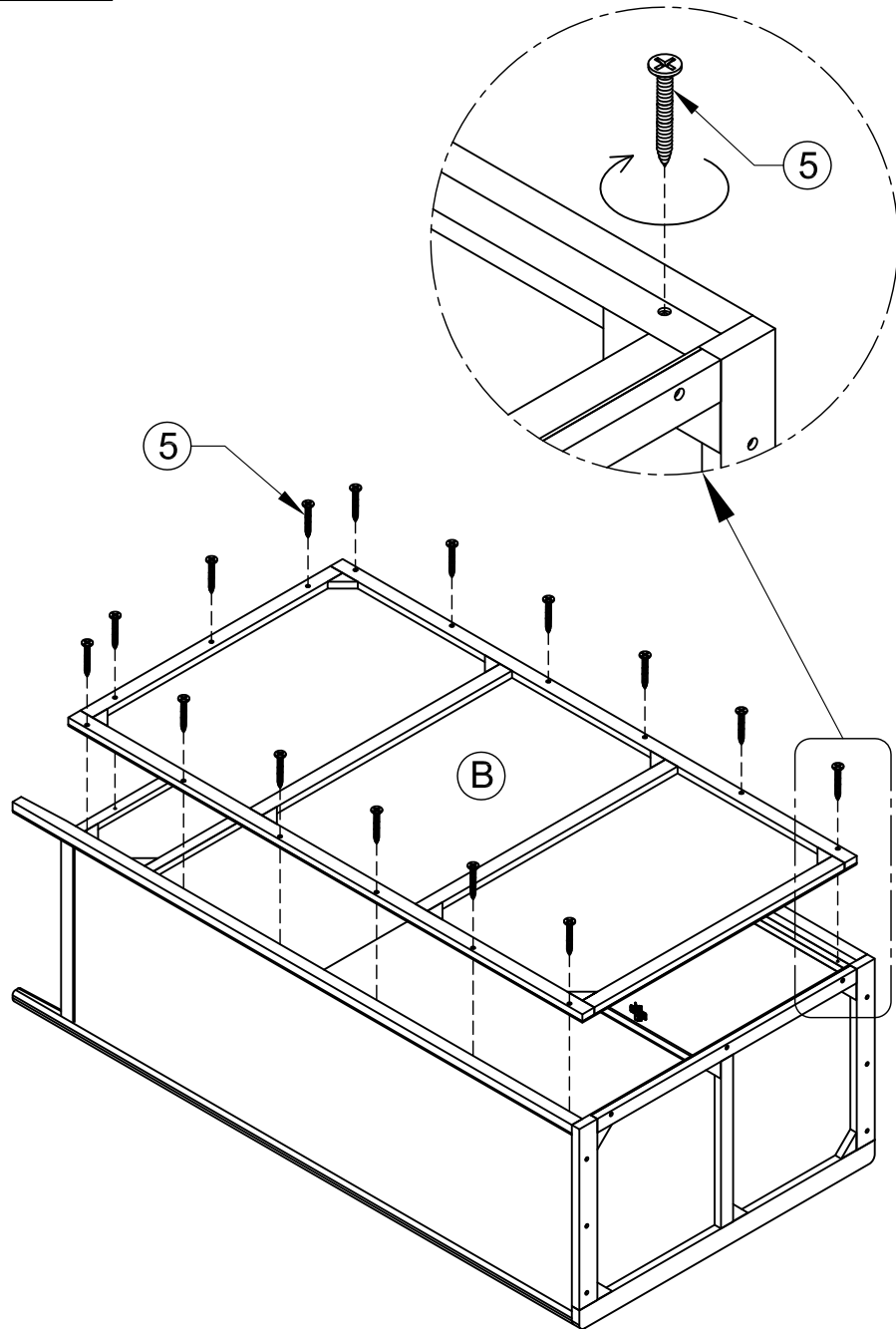
STEP 3



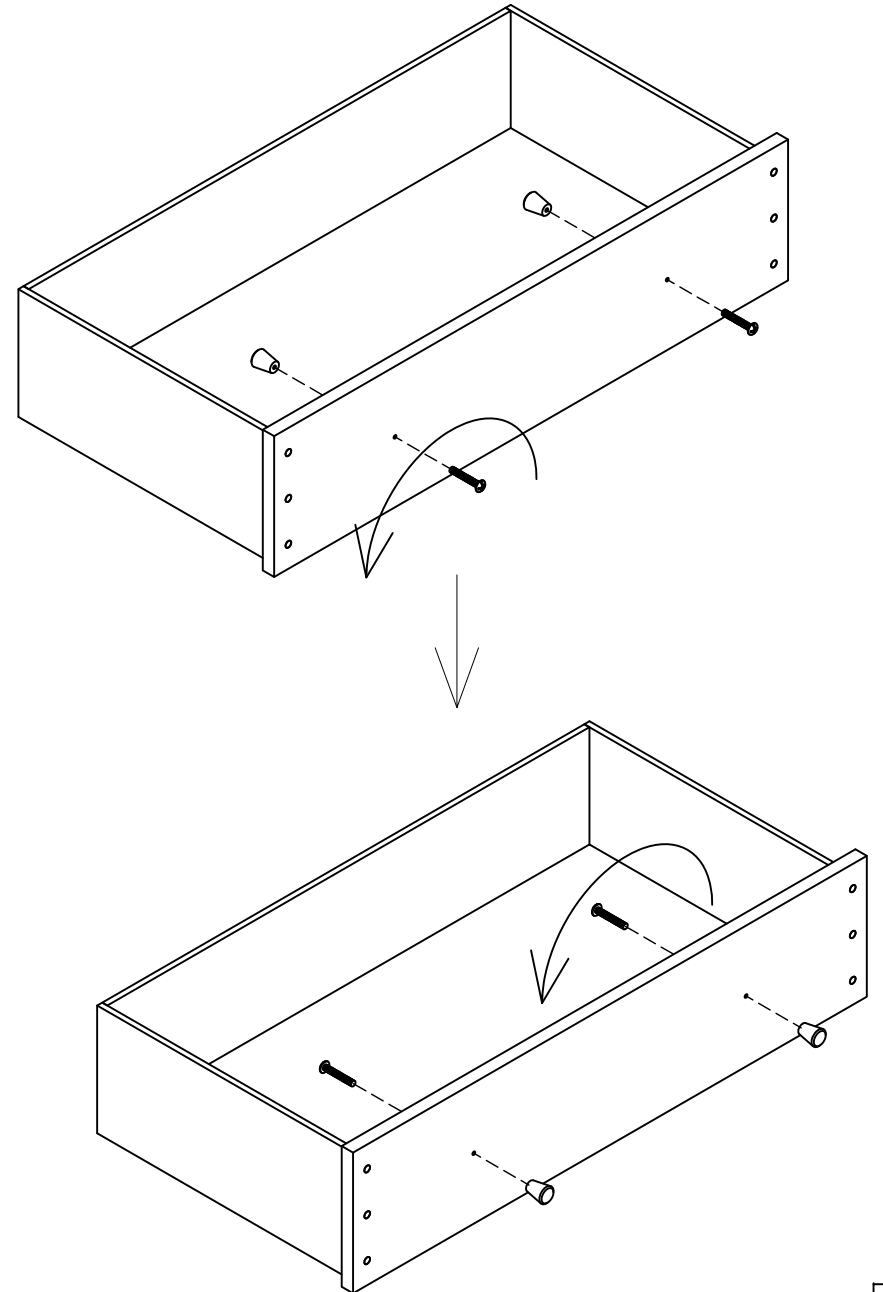
STEP 4



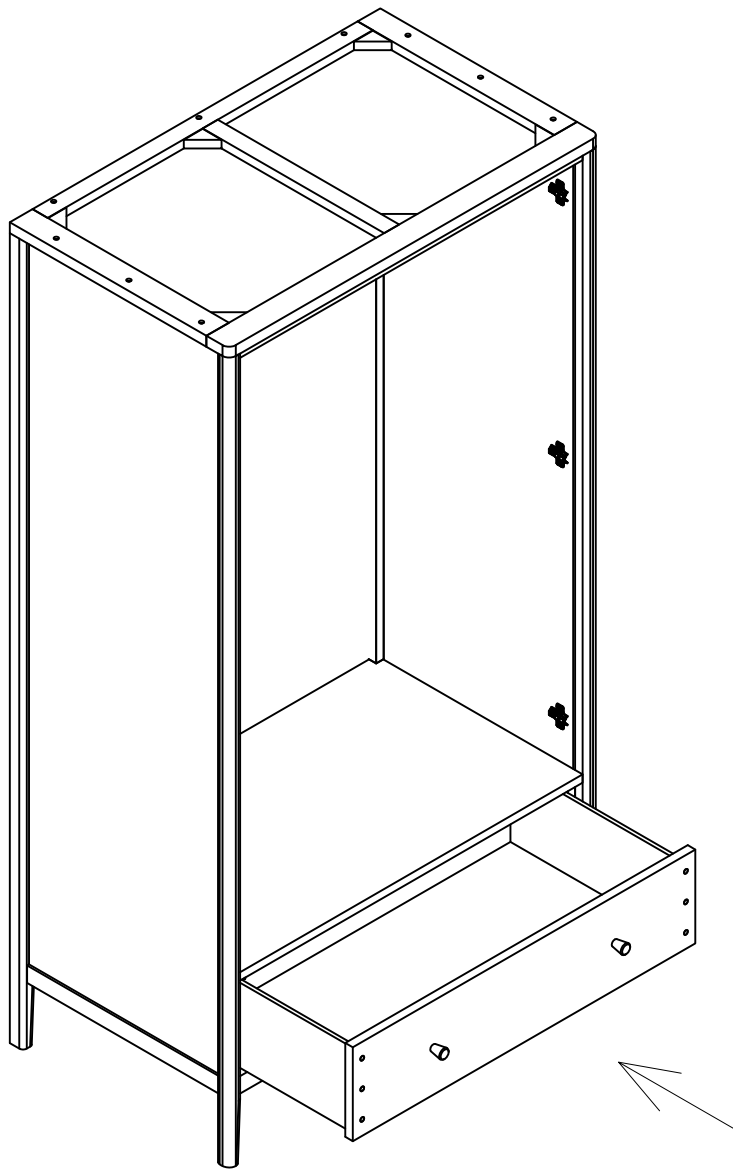
STEP 5



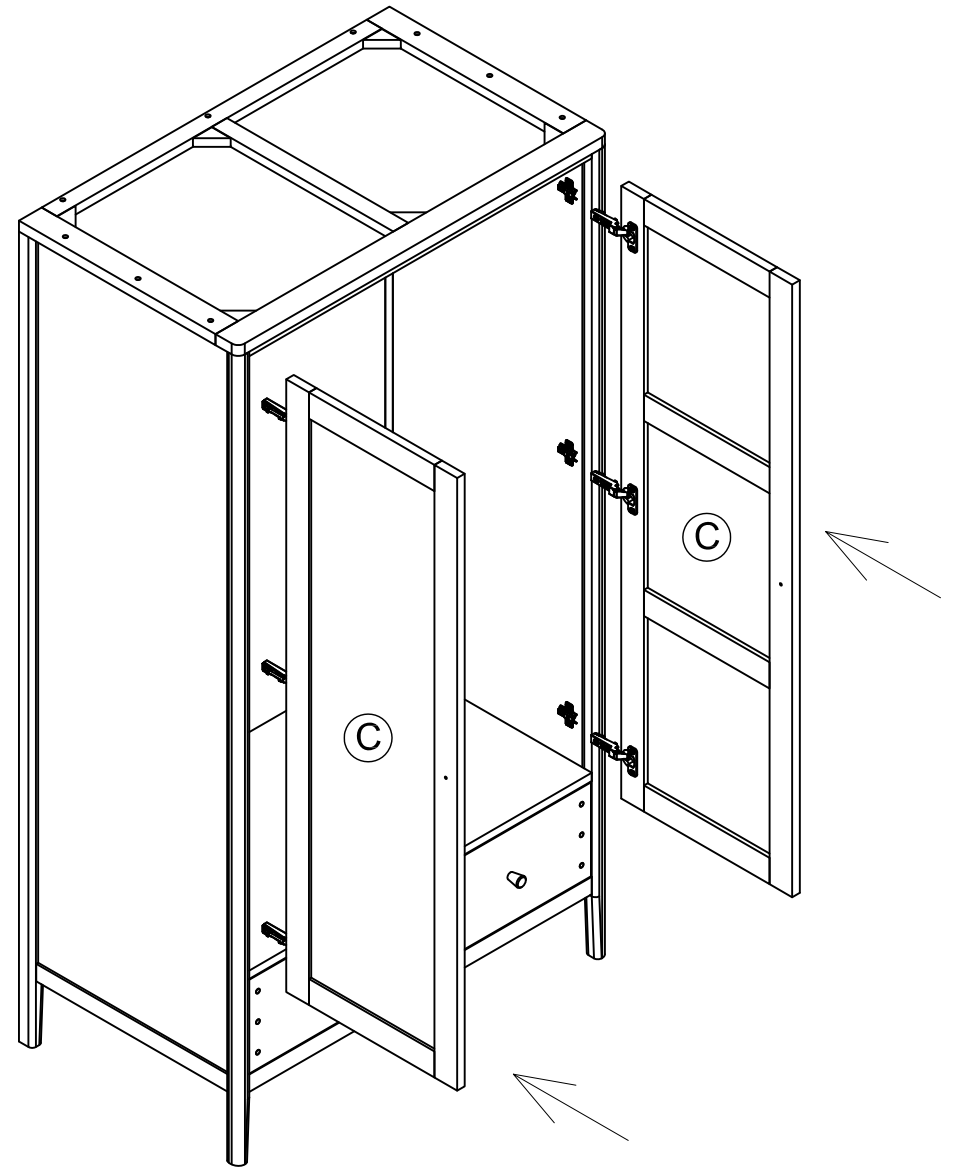
STEP 6



STEP 6



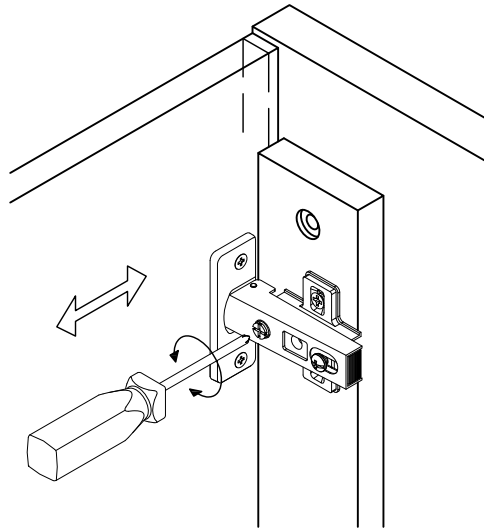
STEP 7



HINGE ADJUSTMENT INSTRUCTIONS

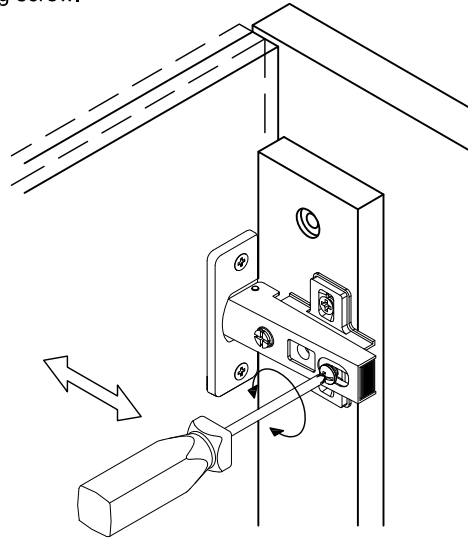
LATERAL ADJUSTMENT

by screw adjustment.



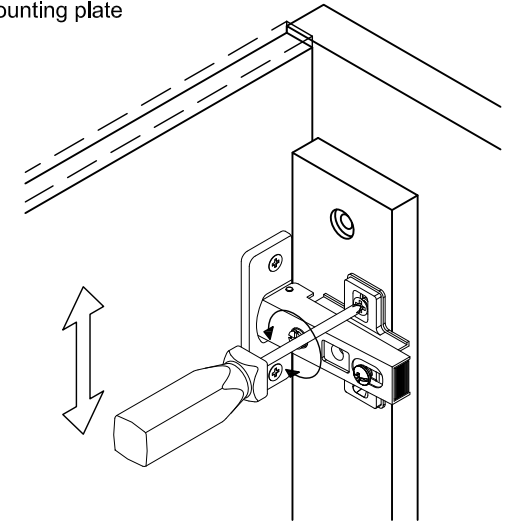
FRONT-TO-BACK

by slackening and retightening the hinge-arm mounting screw.

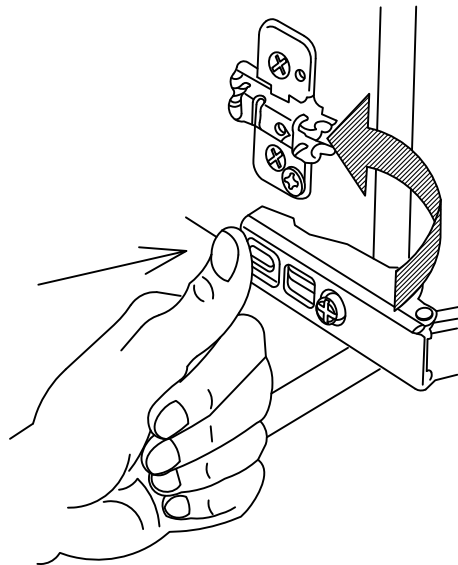


VERTICAL ADJUSTMENT

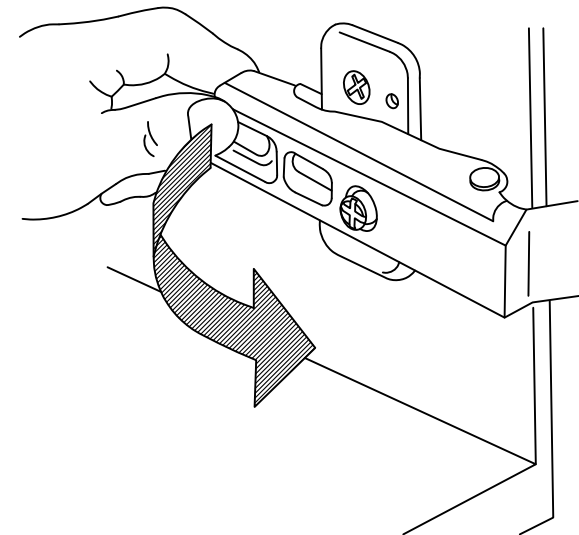
via slots on mounting plate by slackening and retightening the screws on mounting plate



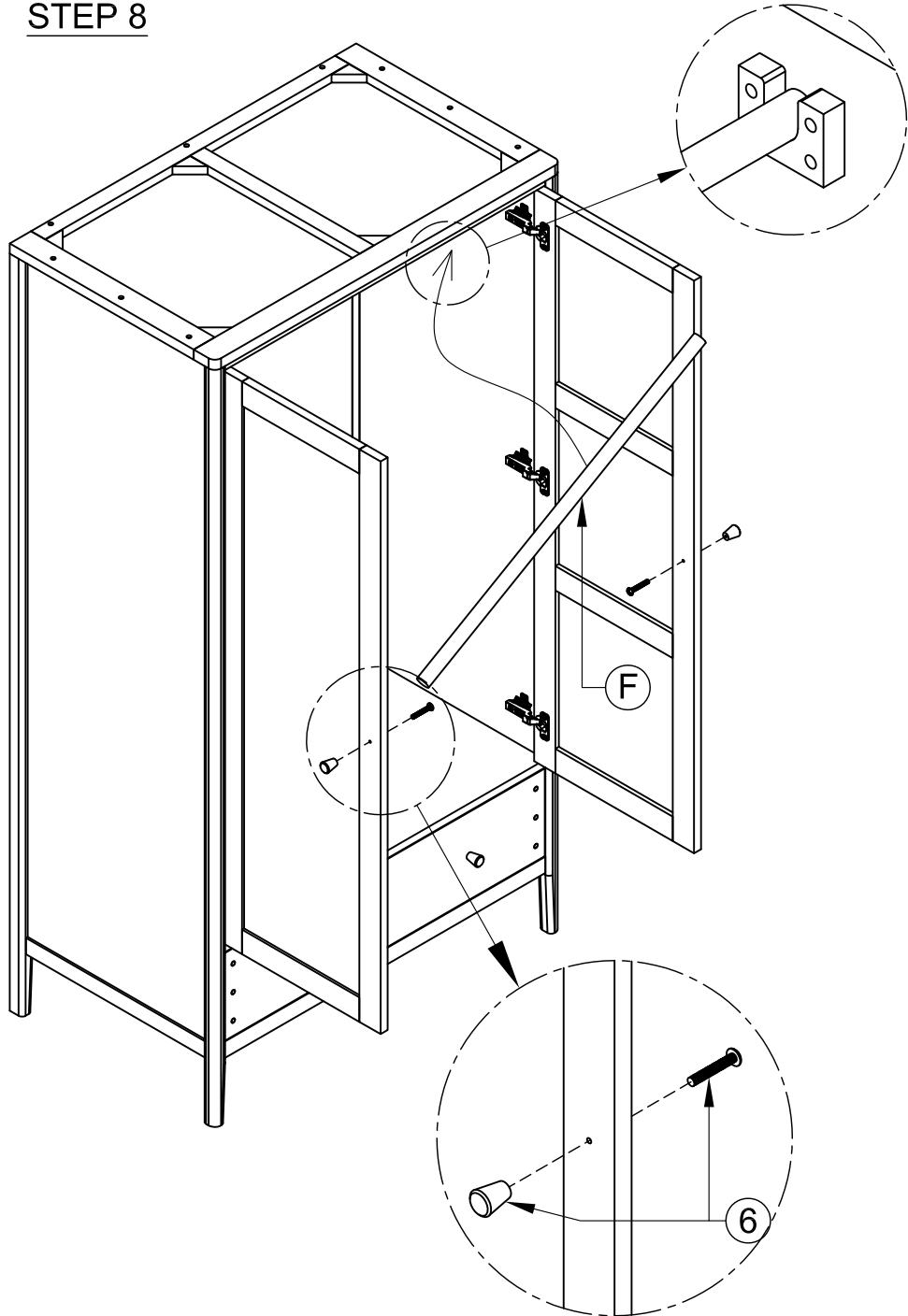
ASSEMBLY



DISASSEMBLY



STEP 8



FINAL

