



JULIETTE BEDSTEAD

A HAND PAINTED DISTRESSED FINISH

DOUBLE: H115 x W147 x L201cm KING: H115 x W161 x L211cm · SELF ASSEMBLY

DEAR CUSTOMER

Thank you for purchasing your new piece of Dorma furniture.

At Dorma we are incredibly proud of our British design heritage and our reputation for producing beautiful homewares of the ultimate quality since 1921. So it is no surprise that we still set our standards above the industry benchmark for quality and design. Our unique blend of heritage and innovation harmoniously blends traditional luxury with modern materials to create quality that delivers the comfort, ease and longevity you demand for your modern lifestyle.

Exceptional design with quality at its core has always been the hallmark of Dorma and is why, once you have become acquainted with the Dorma brand, you will refuse to accept imitations. We put a lot of effort in to the design and construction of our products to ensure they set the standard for quality, durability and ease of assembly.

If for any reason you feel we haven't lived up to the high standards we set ourselves, please don't hesitate in contacting us on 0344 980 99 77 where our team will be very keen to understand what has gone wrong and, more importantly, put it right.

There is no need to feel daunted by the number of parts and fittings in front of you, we have compiled this straightforward, step-by-step guide to make sure that assembling your furniture is as easy as 1, 2, 3.

Before you begin, we advise that you check that you have everything you need to get started.

The full list of furniture parts, fixtures and fittings, as well as the tools you will need for assembly, can be found on the reverse of this manual.

TOP TIP

Find a space to spread these out across the floor before you begin assembling them. Lay each panel down in position, ready to build. Identify all of the fittings, make sure that you have them all prepared and familiarise yourself with each component, to make things easier when you are putting it all together.

SAFETY AND CARE ADVICE

- Please keep these instructions for future reference
- This furniture contains small parts that could cause choking.
- Keep all plastic wrapping materials away from children and pets to avoid danger of suffocation.
- Ensure that all packaging is disposed of carefully and responsibly.
- Dust regularly with a soft, clean lint free cloth or duster.
- The use of abrasive or silicone based polishes is not advised as these can affect the polished finish and joints over time.
- Always use mats and coasters to protect the surface when placing items on the furniture. This will help to protect the finish from heat, liquids or items that might scratch your furniture.
- As a natural product wood is affected by temperature and humidity. We recommend that you avoid placing the furniture directly in front of a heat source such as radiators or fires as this can cause cracking or warping over time.
- Some items will be supplied with a wall fixing strap which we recommend is used to secure the item to prevent your children from accidentally pulling furniture onto themselves.
- Remove any spills immediately to avoid staining.
- Always lift your furniture into place – avoid dragging it across the floor as this can cause damage to joints.

We hope you enjoy your furniture for many years to come and thank you again for your purchase.

dorma.co.uk

PRODUCT INFORMATION

At Dorma we pride ourselves not only on providing you with beautiful designs but also products that feature the highest quality details. Our Juliette furniture collection is no exception and features many indulgent finishing touches.

- Inspired by early 18th century French opulence, Juliette features beautiful hand carved flowers, turned column features and intricate curves.
- Made from solid Birch and Birch veneers with an ivory painted finish and hand applied subtle distressed features to truly capture the appearance of an antique piece of furniture.
- Ornate Pewter handles bring additional attention to detail.
- Additional products are available to complement this range.

The distressed paint finish on this range is achieved through the application of several layers of paint which are then gently aged in places. The hand finishing of each individual item and the appearance over time of hairline cracks in the paint finish – a natural part of ageing process – results in a subtle variation in finish between pieces, giving each item its own character.

Wood is a natural product and each piece of furniture is individual. The colour will mellow over time and new items can vary in shade from the pieces that you may have already purchased. We also recommend that any ornaments, coasters and items placed on the product are periodically moved around to allow the colour to mellow evenly.

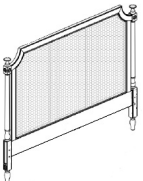
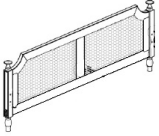
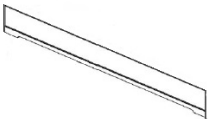



ASSEMBLY TIPS

1. Remove hardware from box and sort by size.
2. Please check to see that all hardware and parts are present prior start of assembly.
3. Please follow the instructions in the same sequence as numbered to ensure fast and easy assembly.

WARNING:

Do not attempt to repair or modify parts that are broken or defective if this is the case please contact the store immediately. This product is for home use only and not intended for commercial establishment.

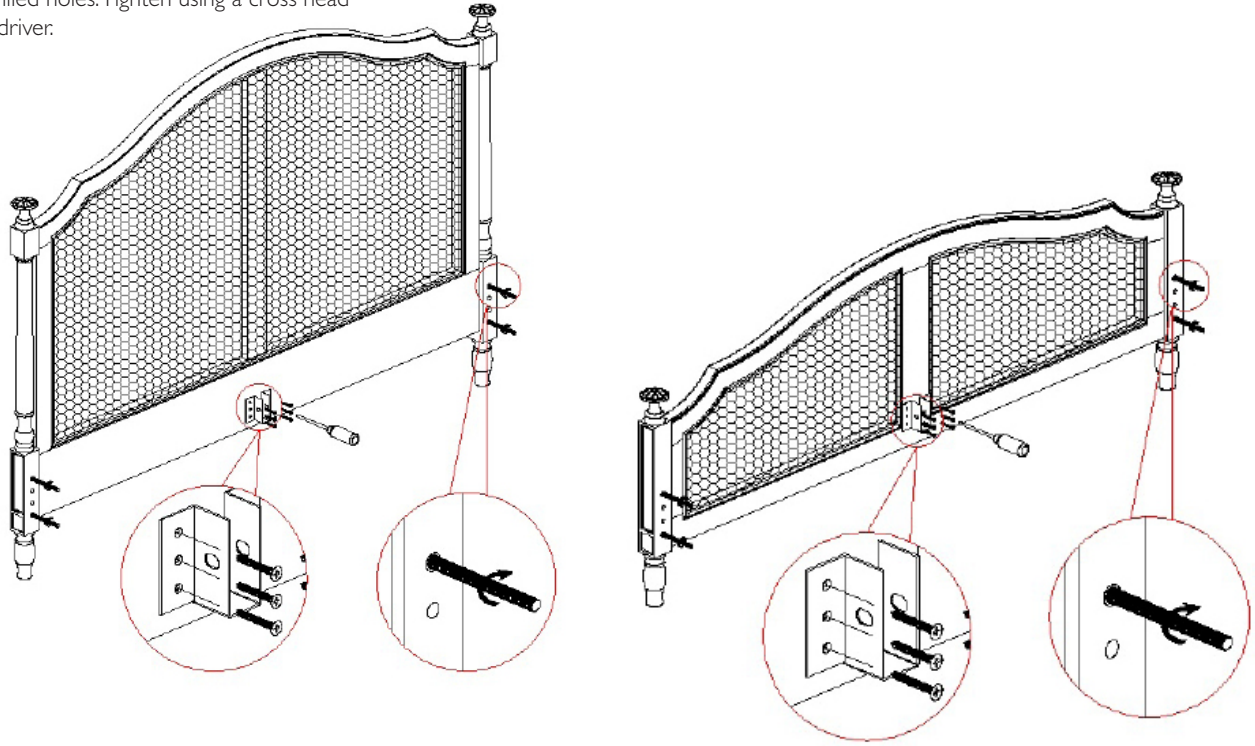
PARTS & FITTINGS

A		HEADBOARD	Quantity: 1
B		FOOTBOARD	Quantity: 1
C		SIDE RAIL	Quantity: 2
D		MID RAIL	Quantity: 1
E		BED SLATS (Not provided)	Quantity: 34
F		BED SLAT SUPPORT	Quantity: 1

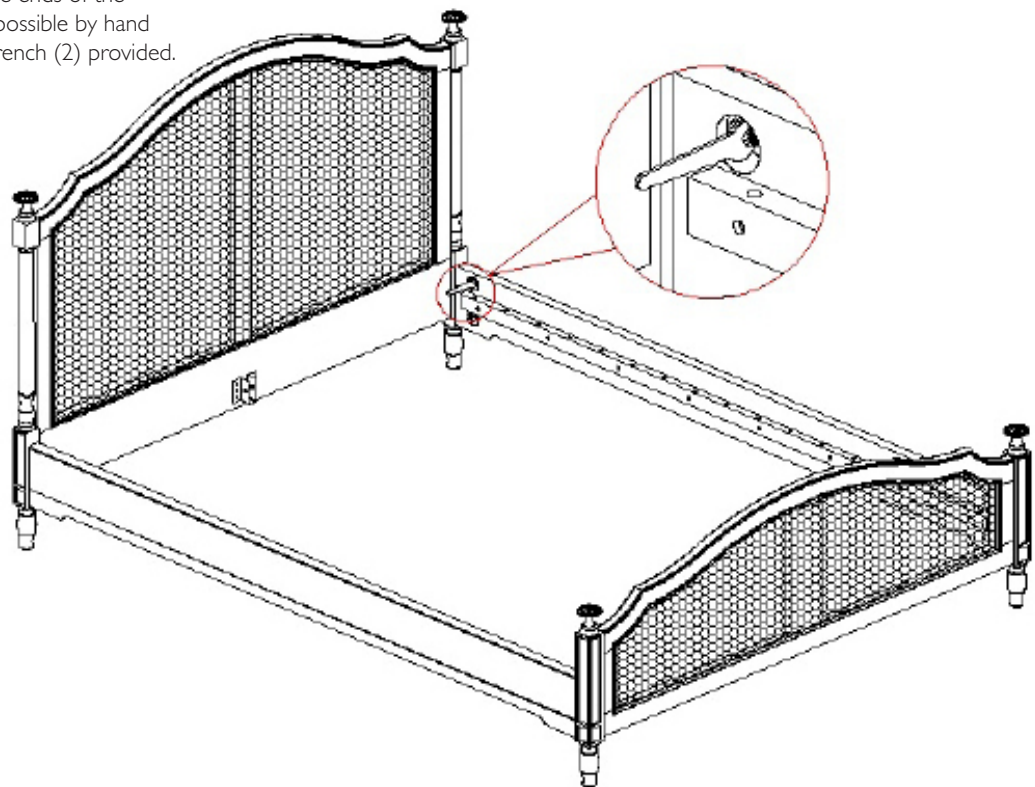
1.		BOLT 40mm	Quantity: 2
2.		WRENCH	Quantity: 1
3.		HALF MOON WASHERS & NUTS	Quantity: 8
4.		U-BRACKET	Quantity: 2
5.		HEXAGON NUT 11mm	Quantity: 2
6.		CROSS HEAD SCREW 20mm	Quantity: 12
7.		CROSS HEAD SCREW 30mm	Quantity: 4
8.		THREADS	Quantity: 8
9.		SLAT CAPS PROVIDED WITH SLATS	Quantity: 64/68

FITTING INSTRUCTIONS

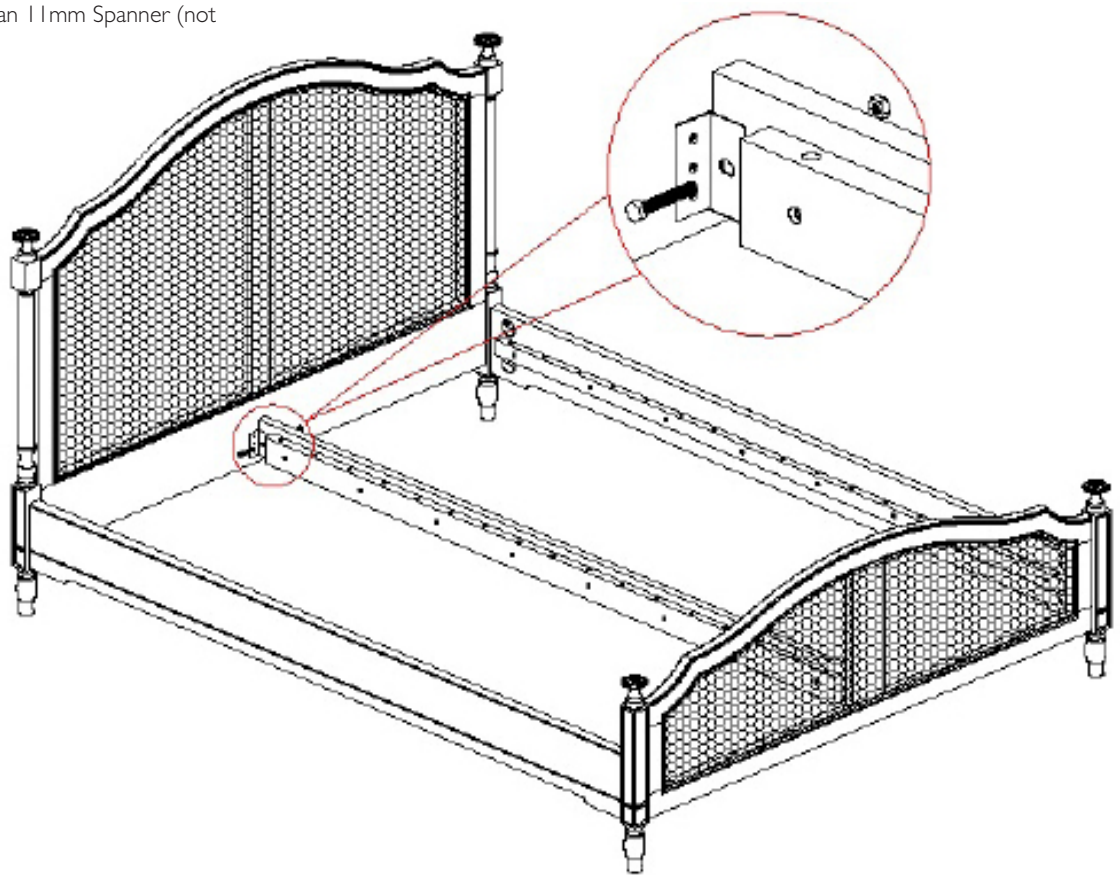
- 1** Screw the 8 x Threads (8) into the Headboard (A) and Footboard (B) ensuring enough of the thread is left for attachment in Steps 2 & 3. Attach the U-brackets (4) to the Headboard (A) and Footboard (B) using the 12 x 20mm Cross Head Screws (6) inserting them into the pre-drilled holes. Tighten using a cross head screwdriver:



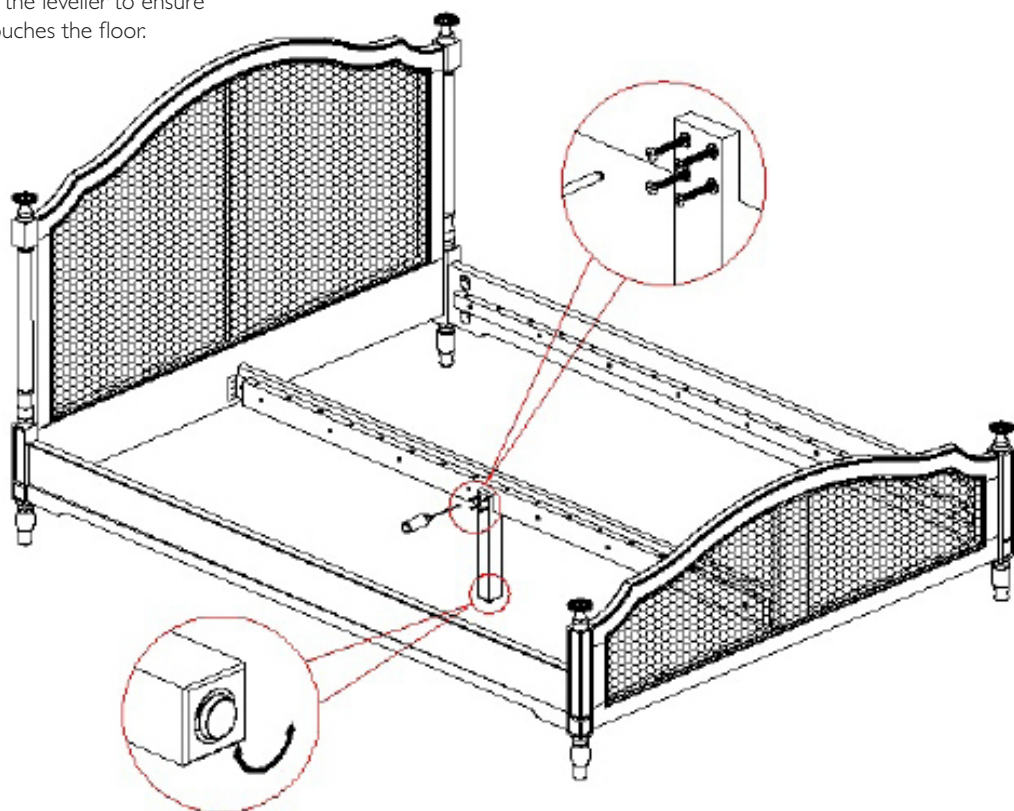
- 2** Locate the Side Rails (C) onto the threads that are protruding from the Headboard (A) and Footboard (B). Secure using the Half Moon Washers and Nuts (3) by locating them onto the ends of the threads. Tighten as much as possible by hand first, then finish using the Wrench (2) provided.



- 3** Locate the Mid Rail (D) into the U-brackets (4). Secure using the 40mm Bolts (1) and Hexagon Nuts.(5) Tighten using an 11mm Spanner (not provided).



- 4** Attach the Bed Slat Support (F) to the Mid Rail (D) using the 4 x 30mm Cross Head Screws (7). If needed, you can twist the leveller to ensure the Bed Slat touches the floor.



- 5** Push fit 2 Slat Caps (9) onto each slat - one on each end. Push fit the slats into the pre-drilled pilot holes.
- Please note: Some slats may require a light tap with a soft hammer to secure the Slat Caps into the holes.
- Repeat this step until all slats are in place.
- 64 slats for a Double Bed.
68 slats for a King Bed.

