



## SOMERSBY BEDSTEAD

CLASSIC FRENCH STYLING MADE FROM POPLAR & CHERRY VENEER  
KING: H102 x W164 x D220cm SUPER KING: H102 x W183 x D220cm · SELF ASSEMBLY

### DEAR CUSTOMER

Thank you for purchasing your new piece of Dorma furniture.

At Dorma we are incredibly proud of our British design heritage and our reputation for producing beautiful homewares of the ultimate quality since 1921. So it is no surprise that we still set our standards above the industry benchmark for quality and design. Our unique blend of heritage and innovation harmoniously blends traditional luxury with modern materials to create quality that delivers the comfort, ease and longevity you demand for your modern lifestyle.

Exceptional design with quality at its core has always been the hallmark of Dorma and is why, once you have become acquainted with the Dorma brand, you will refuse to accept imitations. We put a lot of effort in to the design and construction of our products to ensure they set the standard for quality, durability and ease of assembly.

If for any reason you feel we haven't lived up to the high standards we set ourselves, please don't hesitate in contacting us on 0344 980 99 77 where our team will be very keen to understand what has gone wrong and, more importantly, put it right.

There is no need to feel daunted by the number of parts and fittings in front of you, we have compiled this straightforward, step-by-step guide to make sure that assembling your furniture is as easy as 1, 2, 3.

Before you begin, we advise that you check that you have everything you need to get started.

The full list of furniture parts, fixtures and fittings, as well as the tools you will need for assembly, can be found on the reverse of this manual.

### TOP TIP

Find a space to spread these out across the floor before you begin assembling them. Lay each panel down in position, ready to build. Identify all of the fittings, make sure that you have them all prepared and familiarise yourself with each component, to make things easier when you are putting it all together.

### SAFETY AND CARE ADVICE

- Please keep these instructions for future reference
- This furniture contains small parts that could cause choking.
- Keep all plastic wrapping materials away from children and pets to avoid danger of suffocation.
- Ensure that all packaging is disposed of carefully and responsibly.
- Dust regularly with a soft, clean lint free cloth or duster.
- The use of abrasive or silicone based polishes is not advised as these can affect the polished finish and joints over time.
- Always use mats and coasters to protect the surface when placing items on the furniture. This will help to protect the finish from heat, liquids or items that might scratch your furniture.
- As a natural product wood is affected by temperature and humidity. We recommend that you avoid placing the furniture directly in front of a heat source such as radiators or fires as this can cause cracking or warping over time.
- Some items will be supplied with a wall fixing strap which we recommend is used to secure the item to prevent your children from accidentally pulling furniture onto themselves.
- Remove any spills immediately to avoid staining.
- Always lift your furniture into place – avoid dragging it across the floor as this can cause damage to joints.

We hope you enjoy your furniture for many years to come and thank you again for your purchase.

[dorma.co.uk](http://dorma.co.uk)

# PRODUCT INFORMATION

At Dorma we pride ourselves not only on providing you with beautiful designs, but also products that feature the highest quality details. Our Somersby furniture collection is no exception and features many indulgent finishing touches.

- With its classic and timeless style, Somersby exudes elegance with its curves, secret drawers, solid proportions and finishing.
- Made from solid poplar and high quality cherry veneers, with a subtle lacquer finish and hand applied distressing, to truly capture the appearance of an antique piece of furniture.
- Refined antique brushed brass handles bring additional attention to detail.
- Additional products are available to complement this range.

To enhance the character of the collection, artificial distressing has been added by hand, these are the black flecks and will vary from piece to piece. Wood is a natural product and each piece of furniture is individual.

The colour will mellow over time and new items can vary in shade from the pieces that you may have already purchased. We also recommend that any ornaments, coasters and items placed on the product are periodically moved around to allow the colour to mellow evenly..

## ASSEMBLY TIPS

1. Remove hardware from box and sort by size.
2. Please check to see that all hardware and parts are present prior start of assembly.
3. Please follow the instructions in the same sequence as numbered to ensure fast and easy assembly.

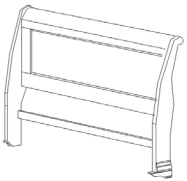
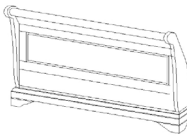
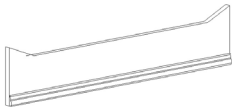

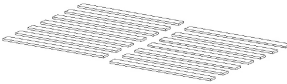

### WARNING:

Do not attempt to repair or modify parts that are broken or defective if this is the case please contact the store immediately.

This product is for home use only and not intended for commercial establishment.

Note: a minimum of two people are required to assemble and lift the bed.

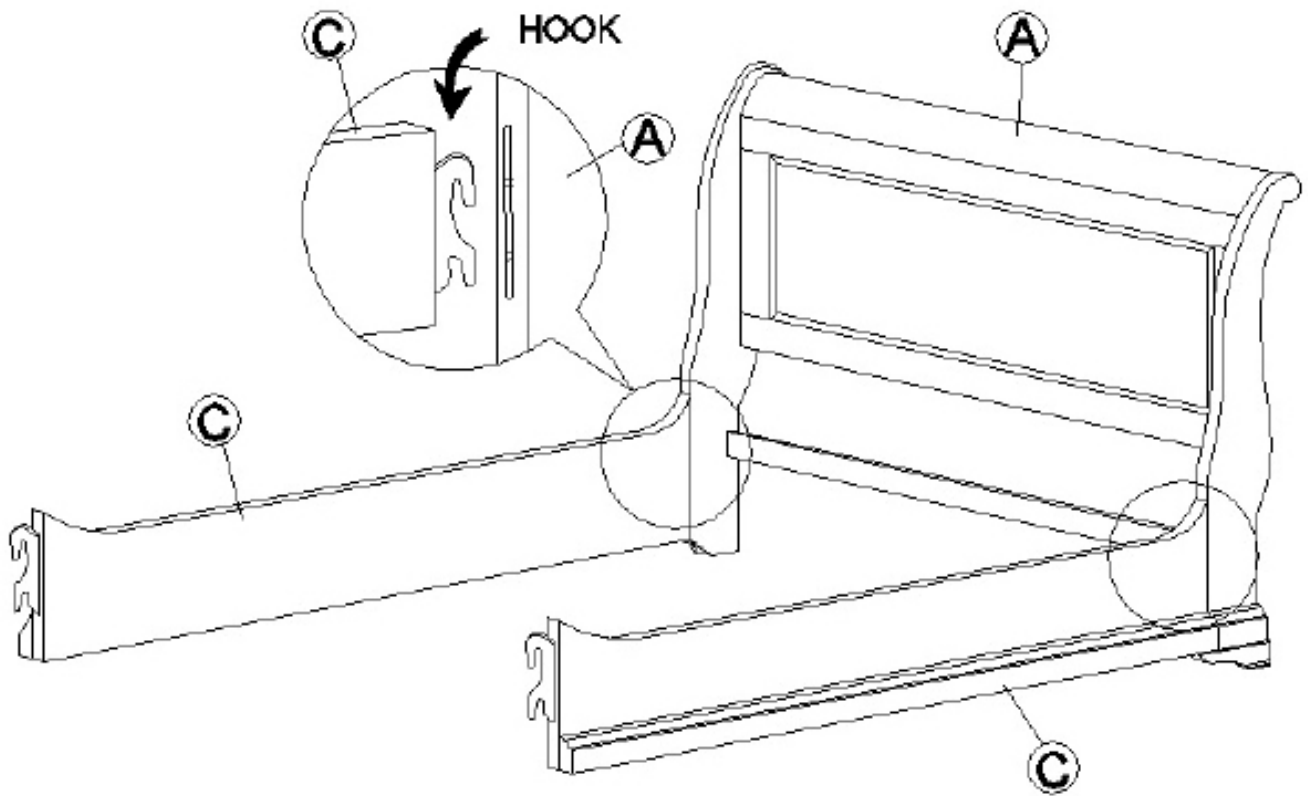
## PARTS & FITTINGS

<b>A</b>		HEADBOARD	Quantity: <b>1</b>
<b>B</b>		FOOTBOARD	Quantity: <b>1</b>
<b>C</b>		SIDE RAIL	Quantity: <b>2</b>
<b>D</b>		MID RAIL	Quantity: <b>1</b>
<b>E</b>		BED SLATS (Not provided)	Quantity: <b>34</b>
<b>F</b>		BED SLAT SUPPORT WITH LEVELLER	Quantity: <b>1</b>

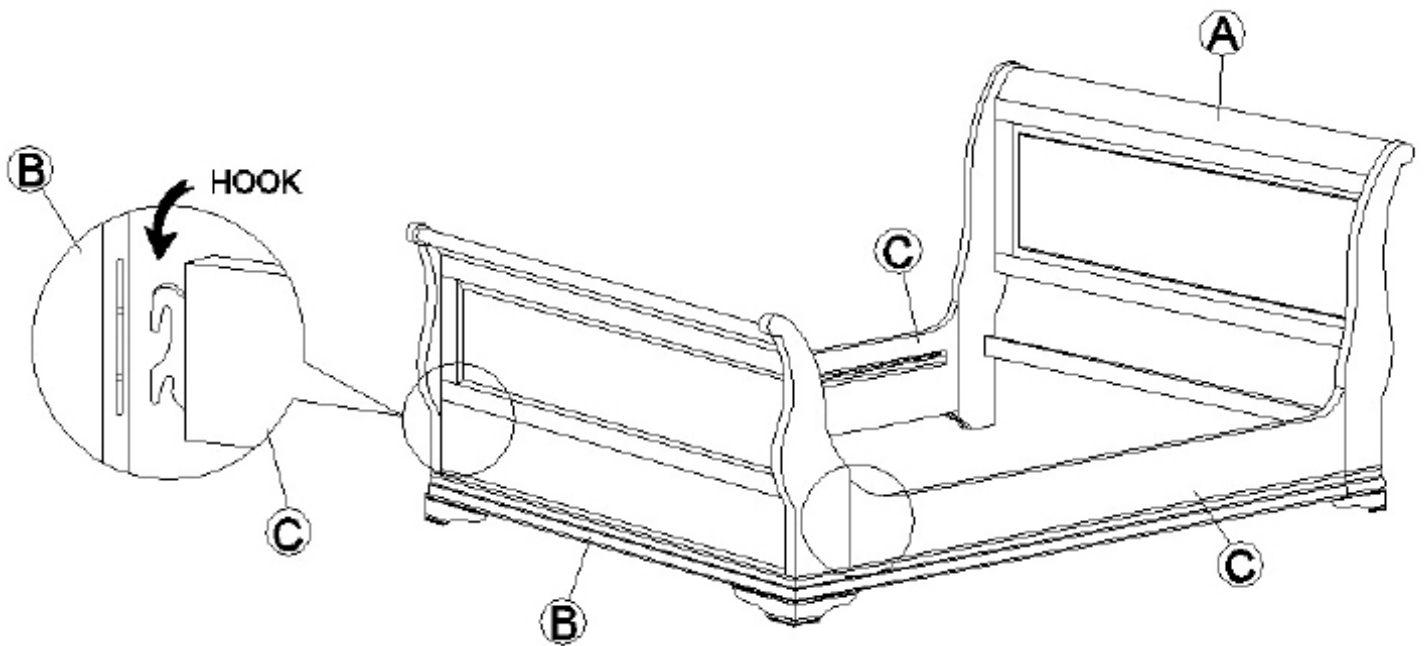
1.		ALLEN KEY M4 (Ball Shape) 110mm	Quantity: <b>1</b>
2.		JCBC BOLT M6 x 50mm	Quantity: <b>3</b>
3.		LOCK WASHER 5/16"	Quantity: <b>1</b>
4.		FLAT WASHER 5/16" x 18 x 1.2	Quantity: <b>1</b>
5.		U BRACKET 26(T) x W63 x L70	Quantity: <b>2</b>
6.		HEXAGON NUT M6	Quantity: <b>2</b>
7.		SHORT SCREW CSK SCREW M4 x 16mm	Quantity: <b>8</b>
8.		WRENCH	Quantity: <b>1</b>
9.		SLAT CAPS (Not provided)	Quantity: <b>34</b>

# FITTING INSTRUCTIONS

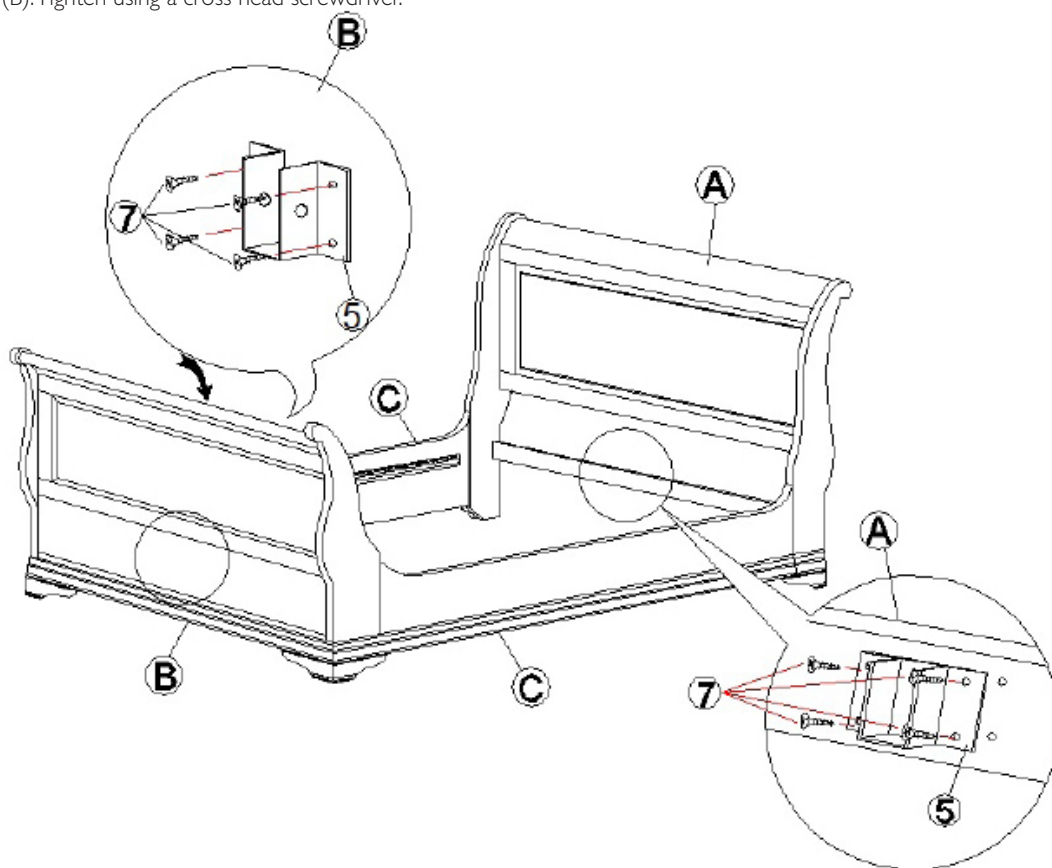
- 1** Attach the Side Rails (C) to the Headboard (A) by using the hooks built into the bed.



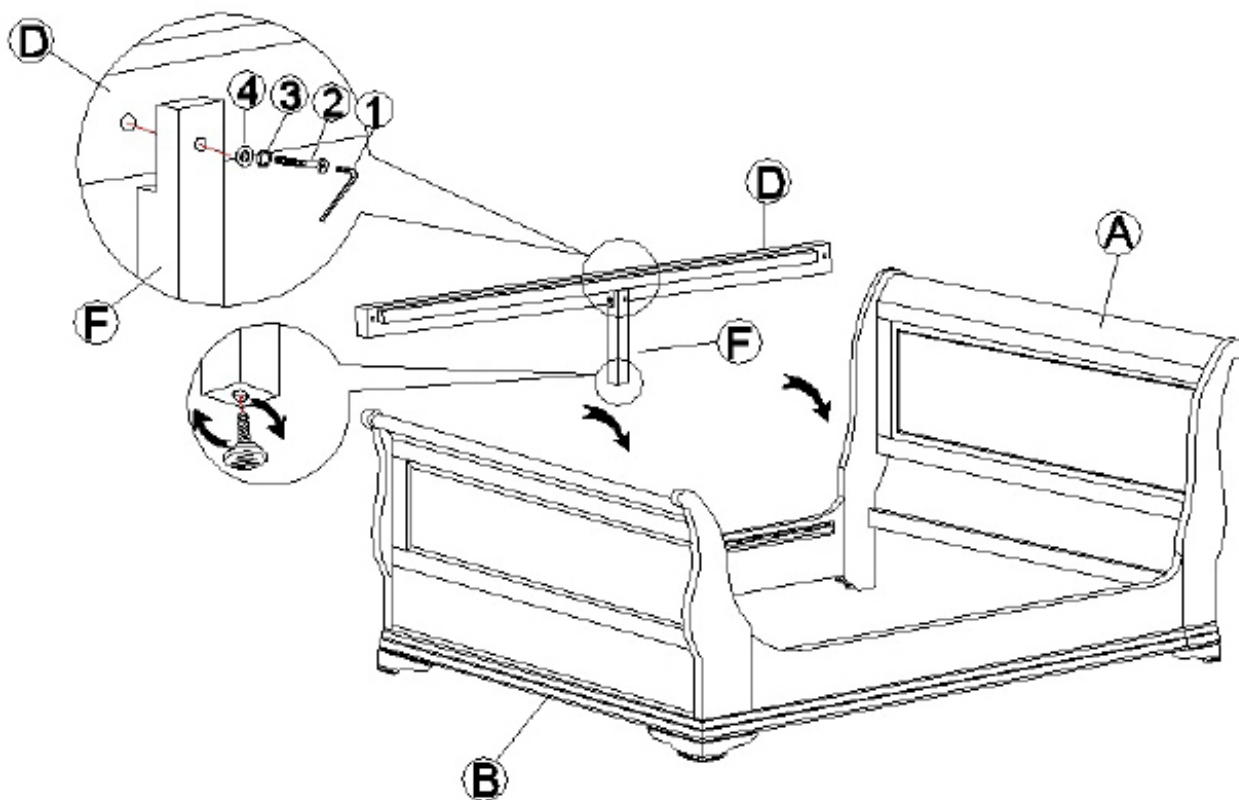
- 2** Now attach the Footboard (B) to the end of the Side Rails (C) using the hooks built into the bed.



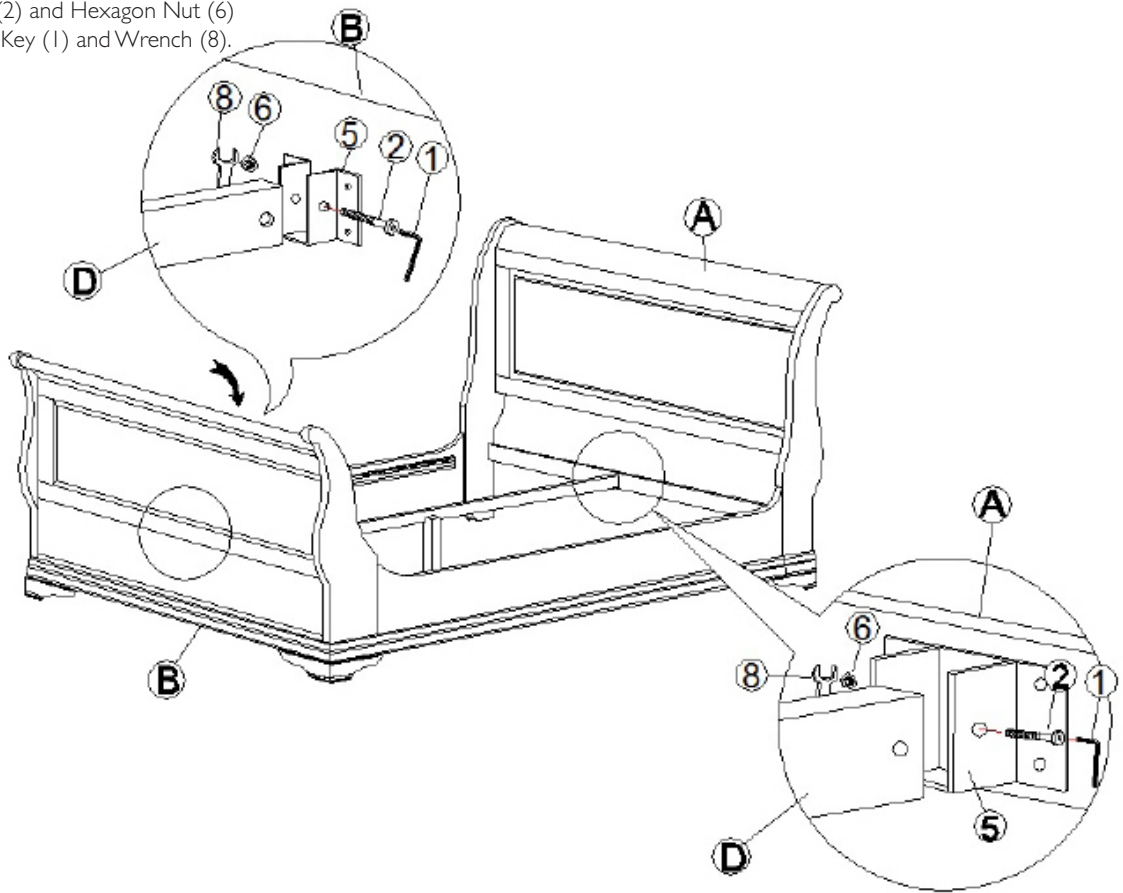
- 3** Attach the U-brackets (5) to the centre of Headboard (A) and Footboard (B) using the Short Screws (7) in the pre-drilled holes (B). Tighten using a cross head screwdriver.



- 4** Attach the Slat Support (F) using the Flat Washer (4), Lock Washer (3) and JCBC Bolt (2) to the Mid Rail (D). Tighten with the Allen Key (1). Now lower the Mid Rail (D) into the U brackets (5) you attached in the previous step.



- 5** Once the Mid Rail (D) is in place, secure it at each end within the U-bracket (5) with the JCBC Bolt (2) and Hexagon Nut (6) using the Allen Key (1) and Wrench (8).



- 6** Now take the Slat Caps (9) and push them onto the ends of the slats (E). Then push the slats into the holes in the Side Rails (C). Your bed is now ready to use.

