

Dormitory Bed (30169387) (30169389)



PRODUCT DESCRIPTION

Dormitory Bed Double (30169387)

Dormitory Bed King (30169389)

DEAR CUSTOMER



Thank you for purchasing your new piece of furniture from Dunelm.

We put a lot of effort in the design and construction of our products to ensure they set the standard for quality, durability and ease of assembly.

If for any reason you feel we haven't lived up to the high standards we set ourselves, please don't hesitate in contacting us on 03451 656565 where our team will be very keen to understand what has gone wrong and, more importantly, put it right.

The Next Step...

There is no need to feel daunted by the number of parts and fittings in front of you, we have compiled this straight forward, step-by-step guide to make sure that assembling your furniture is as easy as 1, 2, 3.

Before you begin, we advise that you check that you have everything you need to get started.

TOP TIP

Find a space to spread these out across the floor before you begin assembling them. Lay each panel down in position, ready to build. It is recommended that two people assemble this product together.

The full list of furniture parts, fixtures and fittings, as well as the tools you will need for assembly can be found on page 3 and 4 of this manual.

TOP TIP

Identify all of the fittings, make sure that you have them all prepared and familiarise yourself with each component, to make things easier when you are putting it all together.

Safety and Care Advice

IMPORTANT - The first step you need to take is to ensure your safety!
Please take the time to read and understand these instructions before assembling your furniture.

Keep children and animals away from the assembly area.

This furniture contains small parts that could cause choking if swallowed.

Keep all plastic wrapping materials away from children to avoid danger of suffocation.

Ensure that all packaging is disposed of carefully and responsibly.

Make sure that you allow enough space to move around when assembling your furniture.

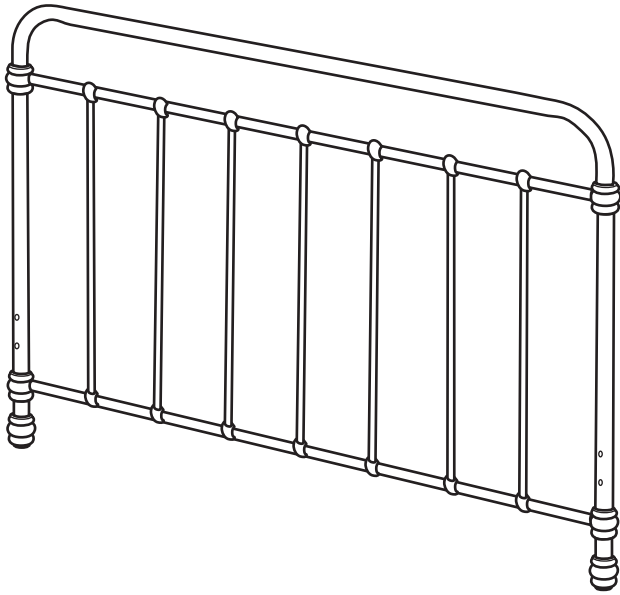
Dust regularly with a soft clean lint free cloth or duster.

The use of abrasive polishes or silicon based polishes is not advised as these can affect the polished finish and joints over time.

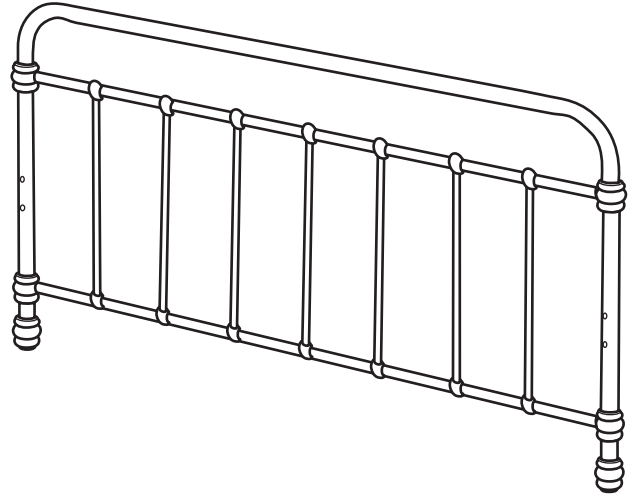
Never drag furniture when moving as this can affect the joints. Always lift the item into place, it is recommended that two people do this.

Parts & Fittings for the Dormitory Bed (30169387) (30169389)

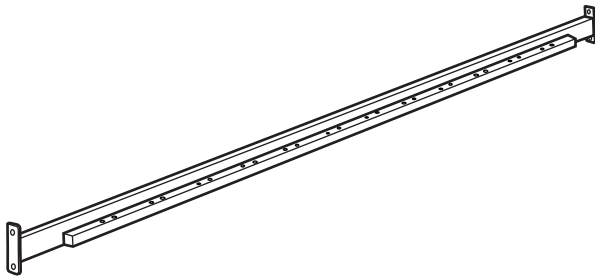
Component Parts



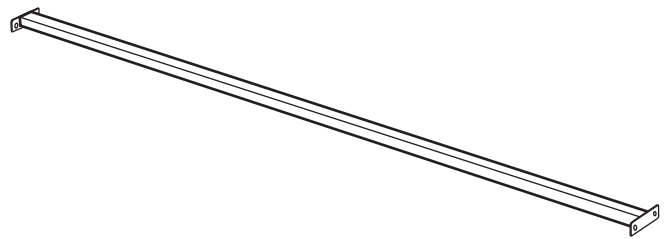
1 Headboard



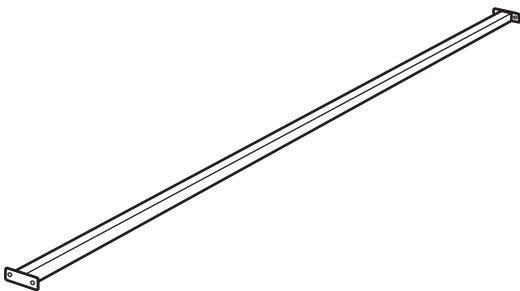
2 Footboard



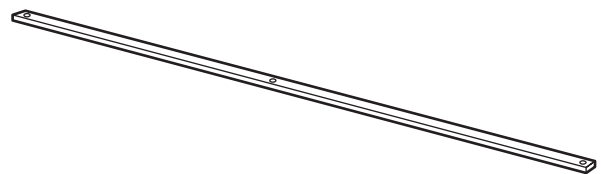
3 Siderail x 2



4 Horizontal Rail x 2



5 Center Rail



6 Center Horizontal Rail



7 Center Leg x 3

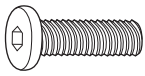


8 Wooden Slat x 24

Parts & Fittings for the Dormitory Bed (30169387) (30169389)

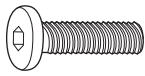
Component Fittings

A



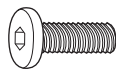
M8 x 20mm
Bolt x 20

B



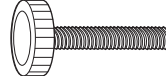
M6 x 20mm
Bolt x 3

C



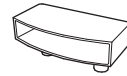
M6 x 12mm
Bolt x 6

D



Adjustable
Footing x 3

E



Slat Holder x 24

F



Middle Slat
Holder x 12

Tools Required



Allen Key (Provided)

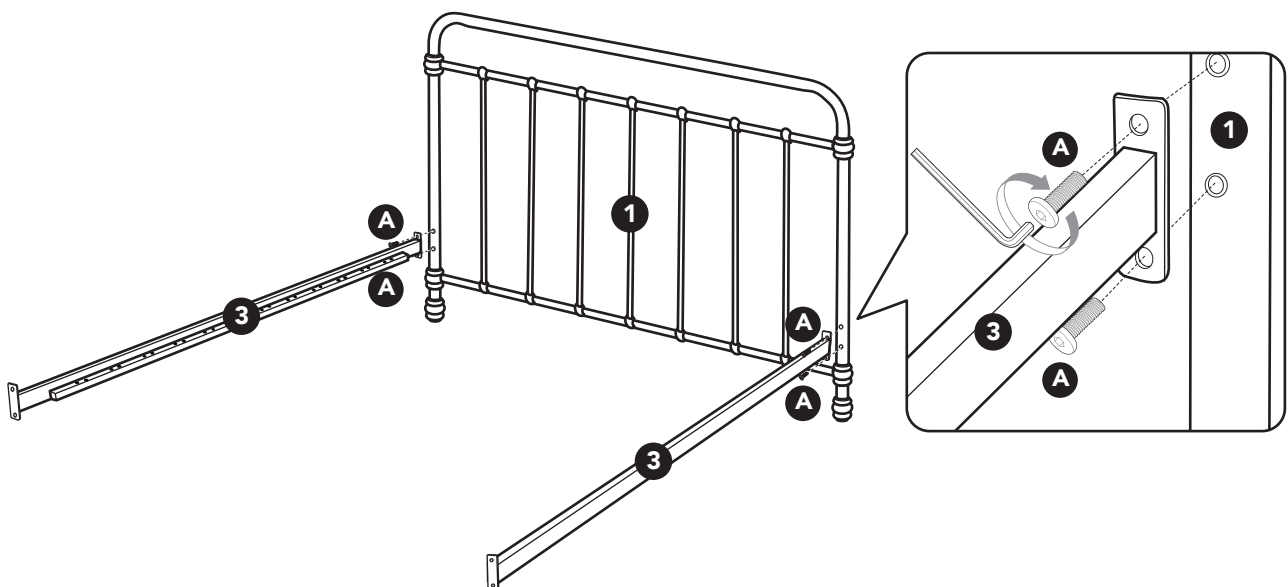
Before you start

Check the pack and make sure you have all the parts listed above. If not, contact the helpline on 03451 656565 who will be able to help you.

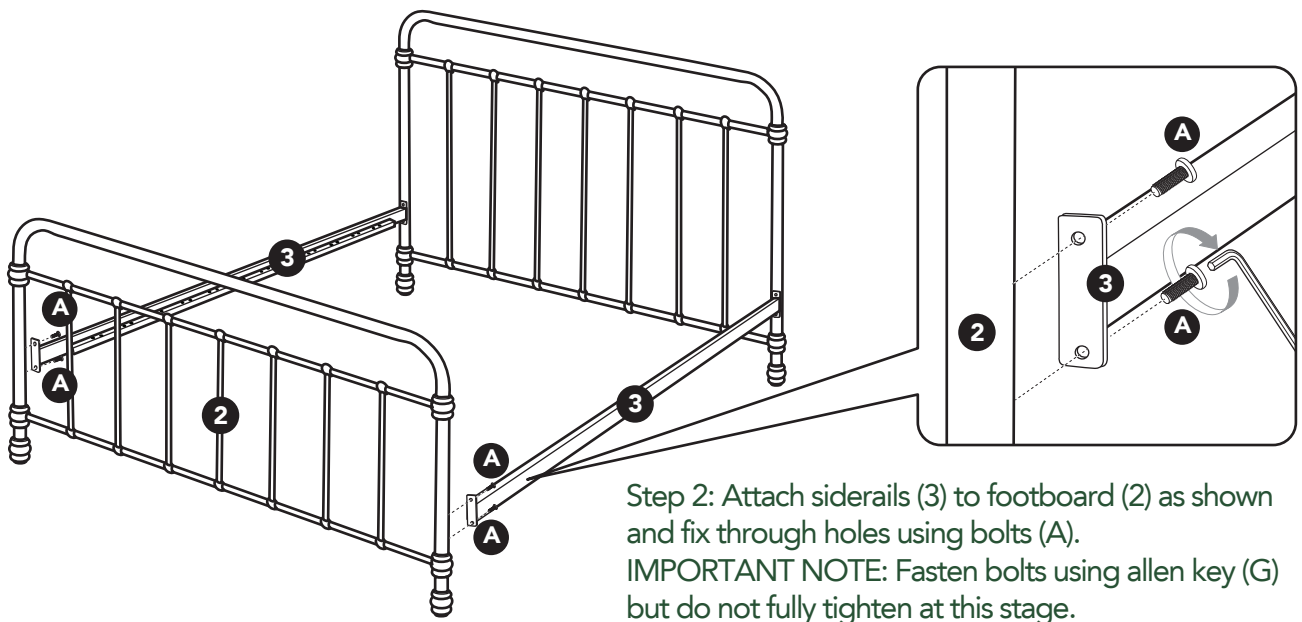
When you are ready and sure that you have the right tools to hand, you will need plenty of space and a clean dry area for assembly.

Ready?

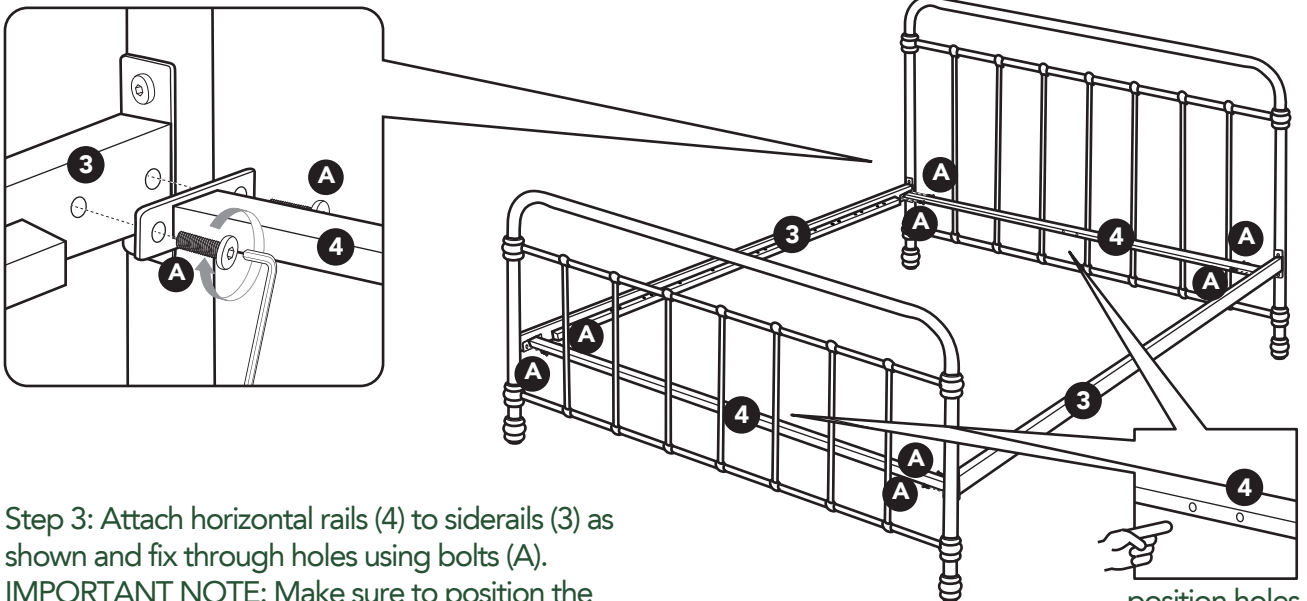
Follow this step-by-step guide



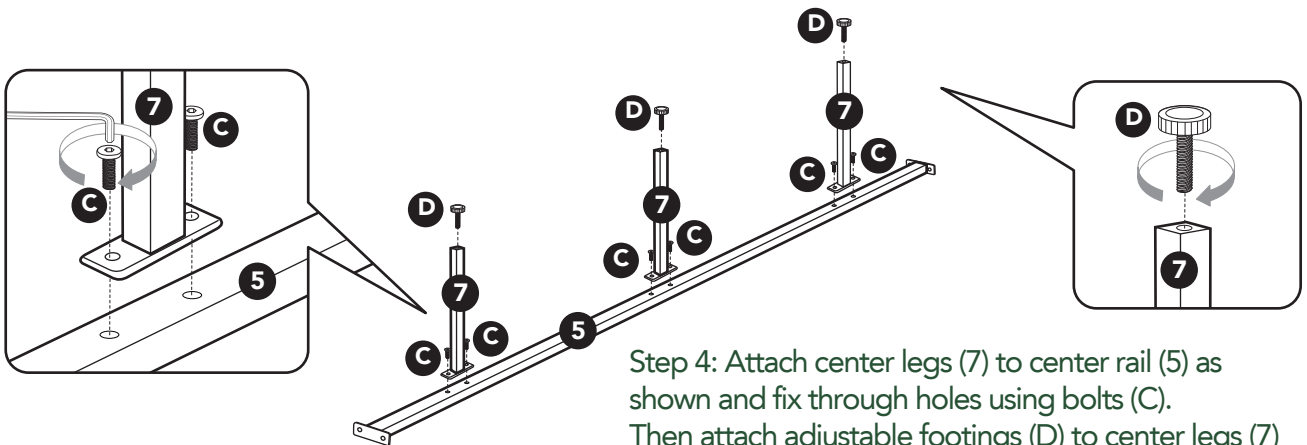
Step1: Attach siderails (3) to headboard (1) as shown and fix through holes using bolts (A).
IMPORTANT NOTE: Fasten bolts using allen key (G) but do not fully tighten at this stage.



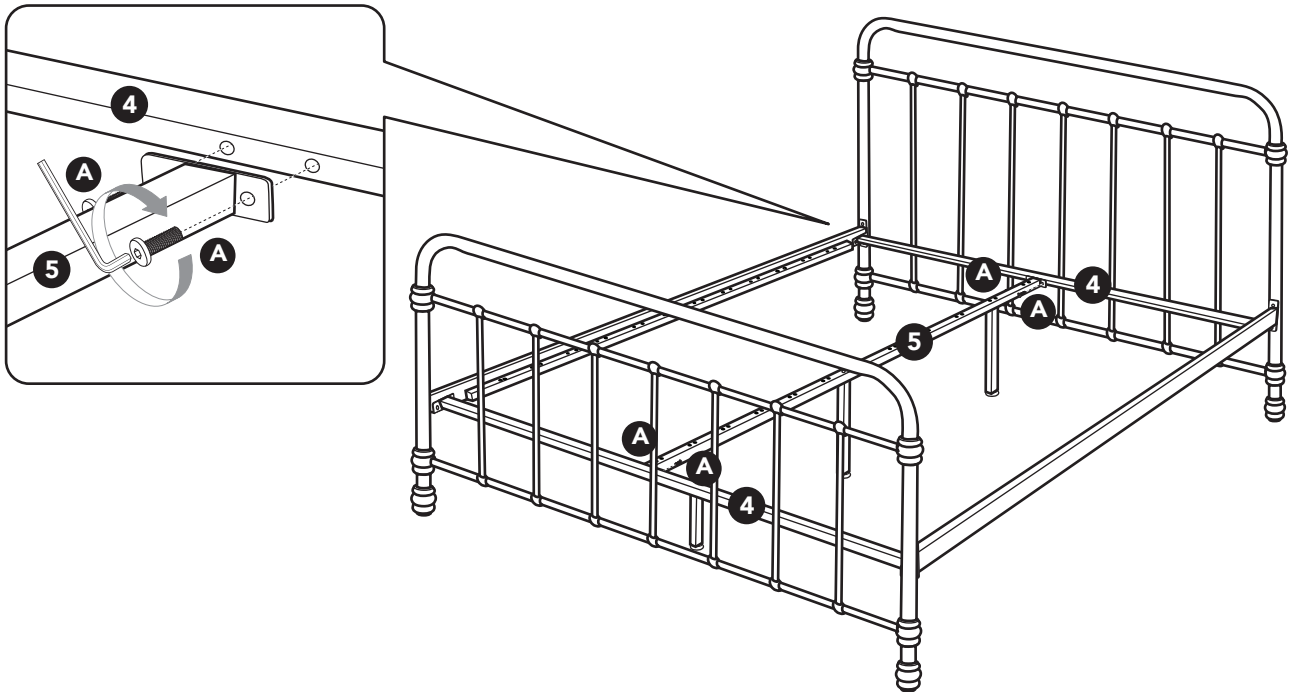
Step 2: Attach siderails (3) to footboard (2) as shown and fix through holes using bolts (A).
IMPORTANT NOTE: Fasten bolts using allen key (G) but do not fully tighten at this stage.



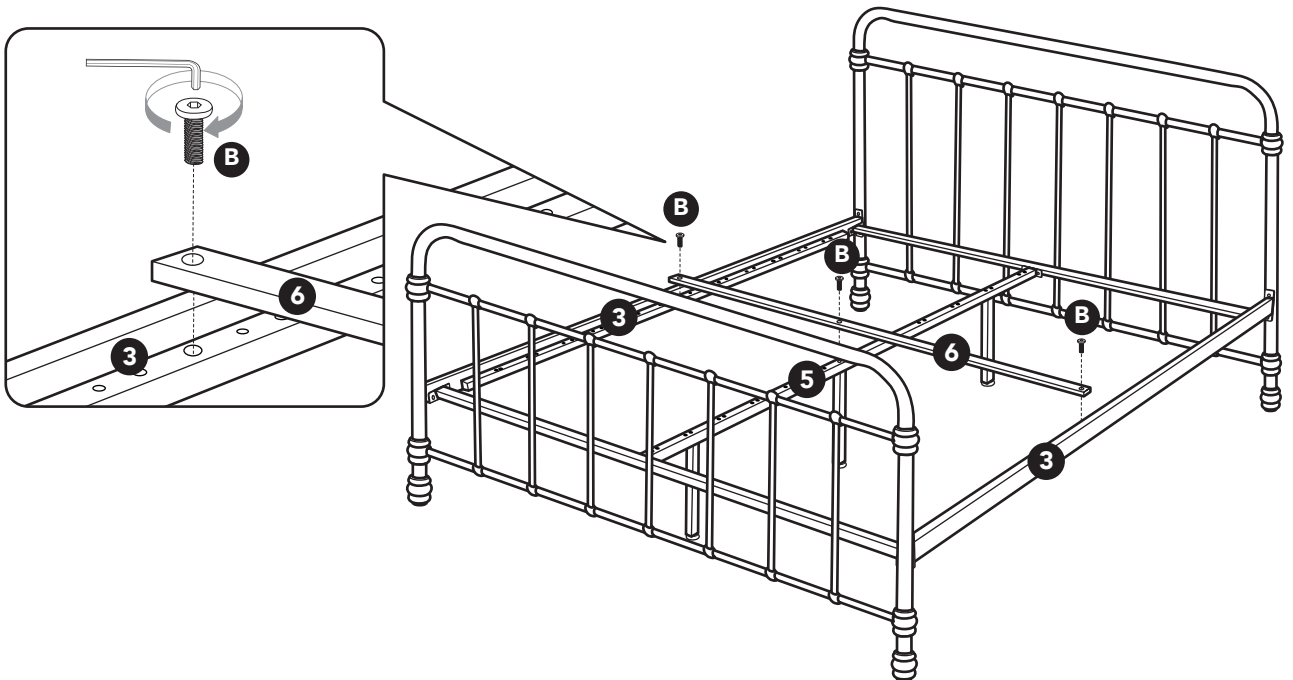
Step 3: Attach horizontal rails (4) to siderails (3) as shown and fix through holes using bolts (A).
IMPORTANT NOTE: Make sure to position the center holes inward as shown.
IMPORTANT NOTE: Fasten bolts using allen key (G) but do not fully tighten at this stage.



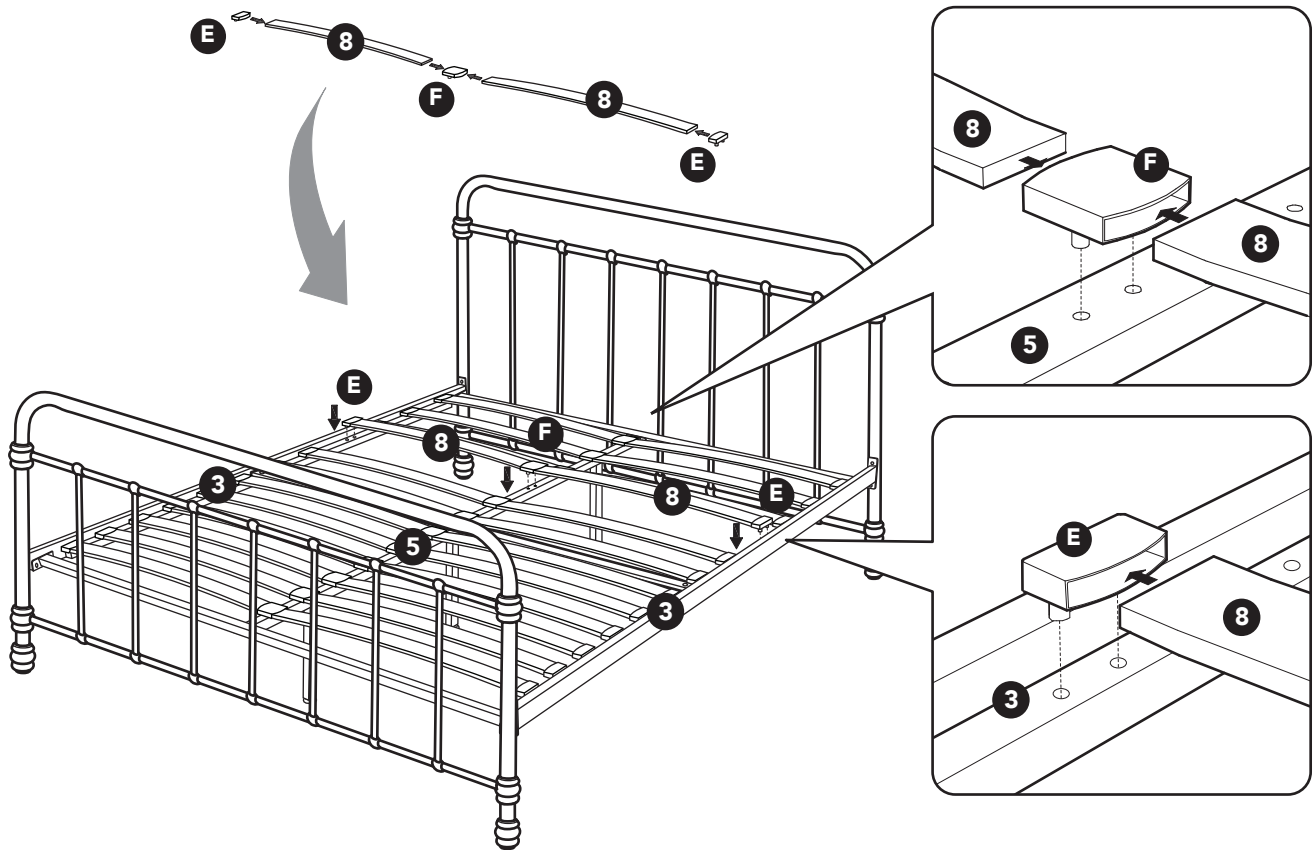
Step 4: Attach center legs (7) to center rail (5) as shown and fix through holes using bolts (C).
 Then attach adjustable footings (D) to center legs (7) and fasten by turning it clockwise as shown.



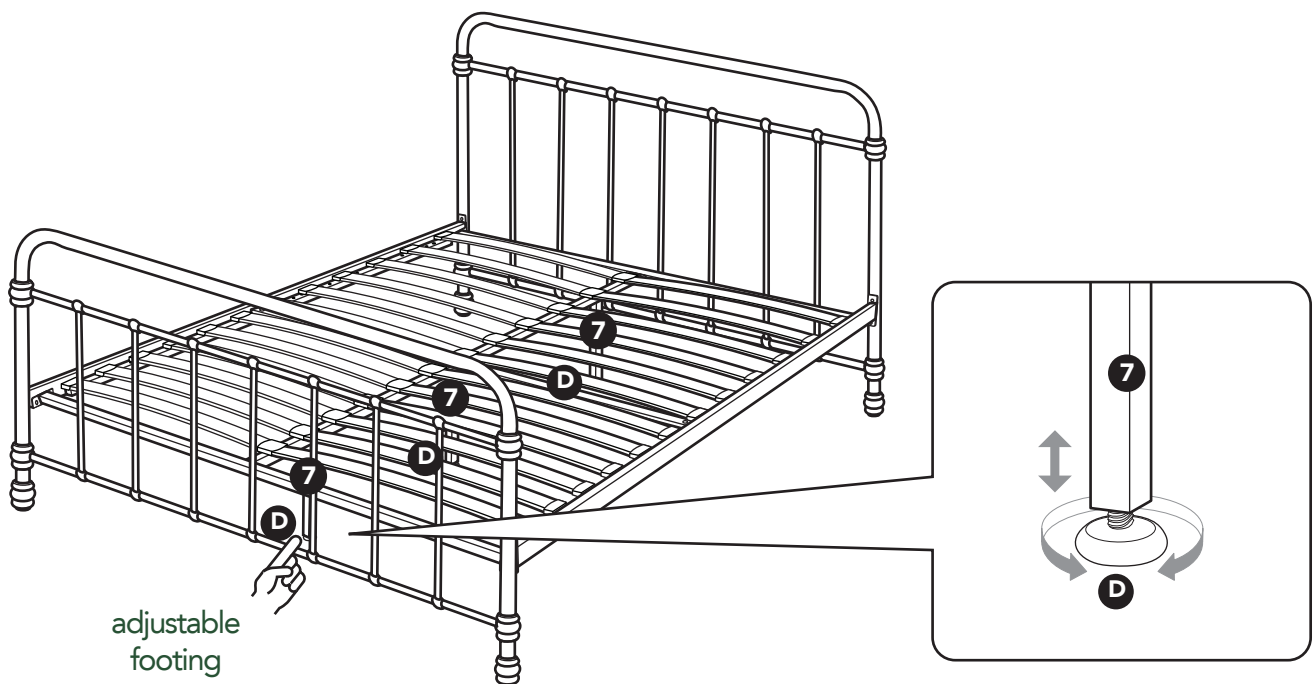
Step 5: Attach center rail (5) to horizontal rails (4) as shown and fix through holes using bolts (A).
IMPORTANT NOTE: Fasten bolts using allen key (G) but do not fully tighten at this stage.



Step 6: Attach center horizontal rail (6) to siderails (3) as shown and fix through holes using bolts (B).
IMPORTANT NOTE: Fasten bolts using allen key (G) but do not fully tighten at this stage.



Step 7: Insert wooden slats (8) into slat holders (E) and (F) as shown. With the help of an assistant, attach the slats into the hole on the side and centre rails and lock by pressing down firmly.
IMPORTANT NOTE: After all parts of the bed are positioned, fully tighten all bolts fixed on previous steps using allen key (G).



Step 8: Use adjustable footings (D) attached in center legs (7) in adjusting the height to make sure the legs are at an even level on the floor.

Carefully lift the bed into position. Two people are required to do this.

Care and maintenance

- Only clean using a damp cloth and mild detergent, do not use bleach or abrasive cleaners.
- From time to time check that there are no loose fixtures or screws on this unit.
- This product should not be discarded with household waste. Take to your local authority waste disposal centre.

Always lift your furniture into place - avoid dragging it across the floor as this can cause damage to joints.

Finally, we hope you enjoy your furniture for many years to come and thanks again for your purchase.

