

Lisbon Tall Shelving Unit inc Desk

Light oak

Length: 110cm

Width: 85cm

Height: 151cm

DEAR CUSTOMER



Thank you for purchasing your new piece of furniture from Dunelm.

We put a lot of effort in the design and construction of our products to ensure they set the standard for quality, durability and ease of assembly.

If for any reason you feel we haven't lived up to the high standards we set ourselves, please don't hesitate in contacting us on 03451 656565 where our team will be very keen to understand what has gone wrong and, more importantly, put it right.

The Next Step...

There is no need to feel daunted by the number of parts and fittings in front of you, we have compiled this straight forward, step-by-step guide to make sure that assembling your furniture is as easy as 1, 2, 3.

Before you begin, we advise that you check that you have everything you need to get started.

TOP TIP

Find a space to spread everything out across the floor before you begin assembling the item. Lay each panel down on a clean and level area, ideally in the room of intended use, ensuring there is enough room to manoeuvre around the item. It is recommended that two people assemble this product together.

The full list of furniture parts, fixtures and fittings, as well as the tools you will need for assembly can be found on page 2, 3, 4 and 5 of this manual.

TOP TIP

Identify all of the fittings, make sure that you have them all prepared and familiarise yourself with each component, to make things easier when you are putting it all together.

Safety and Care Advice

IMPORTANT - The first step you need to take is to ensure your safety!

Please take the time to read and understand these instructions before assembling your furniture.

Please keep these instructions for future reference.

Keep children and animals away from the assembly area.

This furniture contains small parts that could cause choking if swallowed.

Keep all plastic wrapping materials away from babies and children to avoid danger of suffocation.

Ensure that all packaging is disposed of carefully and responsibly.

From time to time check that there are no loose fittings on the unit, re-tighten when necessary.

Two people may be required for the assembly of this product.

Once items are part or fully assembled they are not returnable unless faulty.

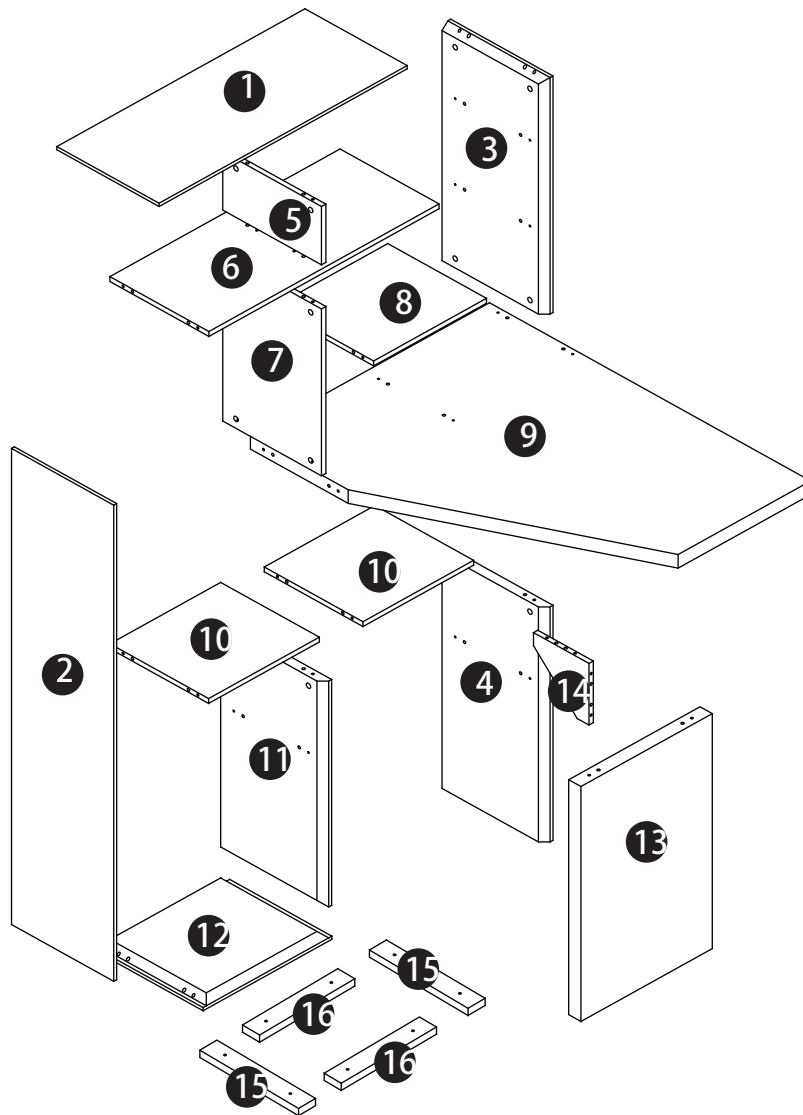
This item is not for outdoor use – unless stated otherwise.

Some items will be supplied with a wall fixing strap, which we recommend is used to secure the item to the wall, to prevent a child from accidentally pulling furniture over.

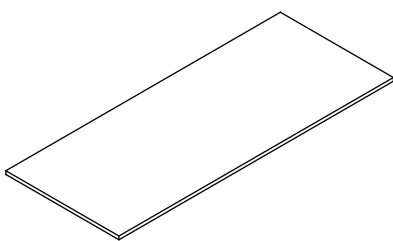
Furniture can be dangerous if incorrectly installed. Assembly should be carried out by a competent person. No liability will be accepted for damage or injury caused by incorrectly installed or assembled furniture.

Parts & fittings for the Lisbon Tall Shelving Unit inc Desk (30299494)

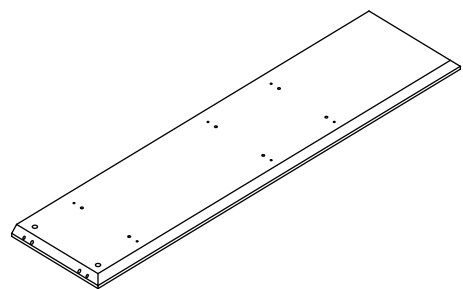
Panel - exploded view



Panels - plan view



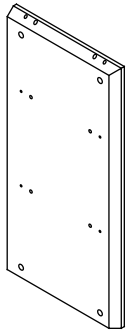
1
Top panel



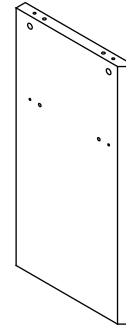
2
Left side panel

Parts & fittings for the Lisbon Tall Shelving Unit inc Desk (30299494)

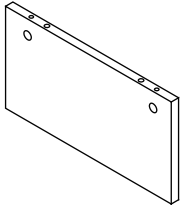
Panels-plan view



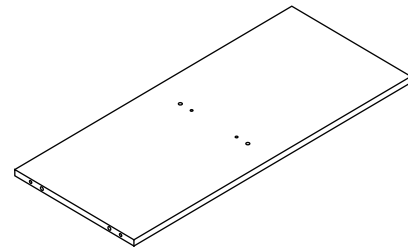
3
Right side panel(upper)



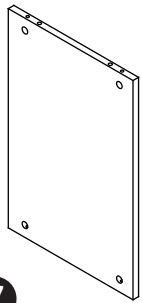
4
Right side panel(lower)



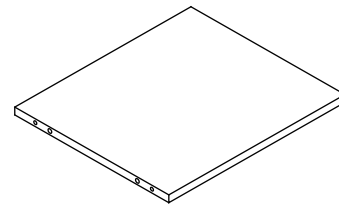
5
Upper crossing bar



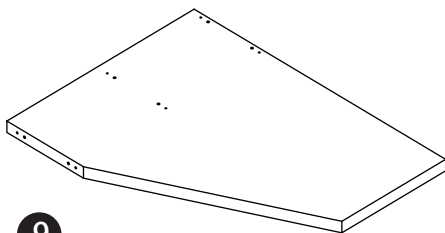
6
Shelf



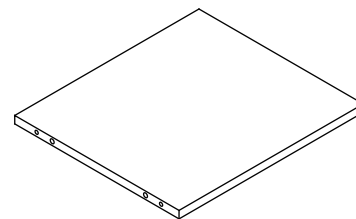
7
Middle crossing bar



8
Shelf



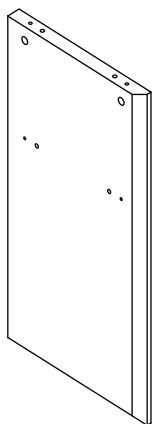
9
Table top



10
Shelf x 2

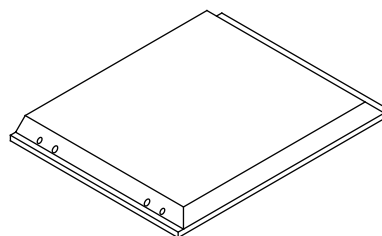
Parts & fittings for the Lisbon Tall Shelving Unit inc Desk (30299494)

Panels-plan view



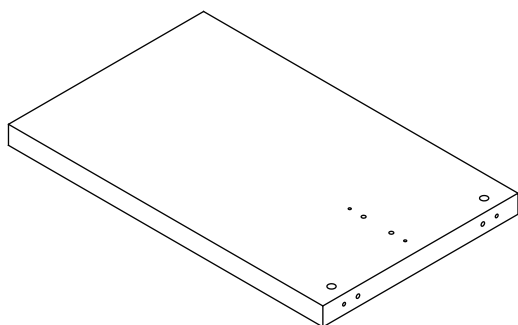
11

Lower crossing bar



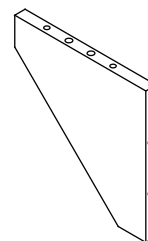
12

Bottom panel



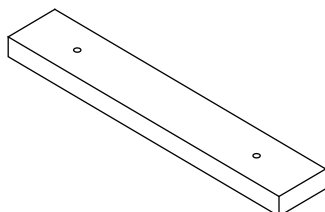
13

Side panel



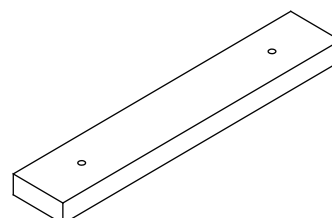
14

Corner block



15

Left and right foot x 2


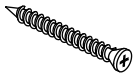
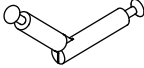
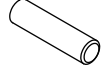
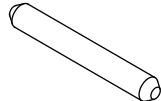
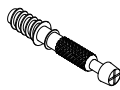

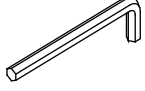
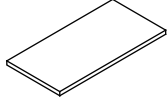
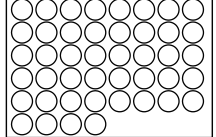
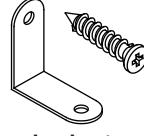


16

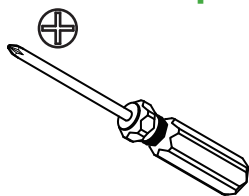
Front and rear foot x 2

Parts & fittings for the Lisbon Tall Shelving Unit inc Desk (30299494)

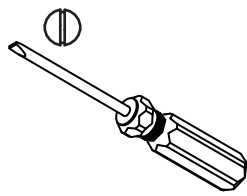
Fittings

<p>A</p>  <p>Ø7x50mm Screw x 6</p>	<p>B</p>  <p>Ø5x40mm Screw x 8</p>	<p>C</p>  <p>2 way cam pin x 4</p>	<p>D</p>  <p>30mm Wooden dowel x 42</p>
<p>E</p>  <p>50mm Wooden dowel x 2</p>	<p>F</p>  <p>Metal cam pin x 36</p>	<p>G</p>  <p>Metal cam x 44</p>	<p>H</p>  <p>Allen key x 1</p>
<p>I</p>  <p>Mat x 8</p>	<p>J</p>  <p>Sticker x1</p>	<p>K</p>  <p>Anti topple device x2</p>	

Tools Required



Phillips screwdriver
(medium)



Flatblade screwdriver
(medium)

Before you start

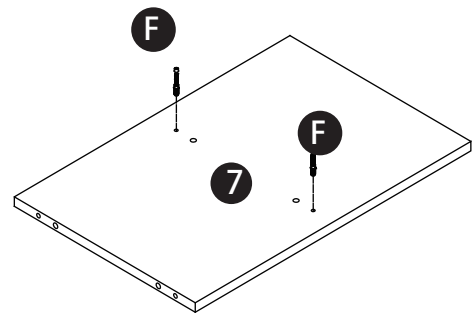
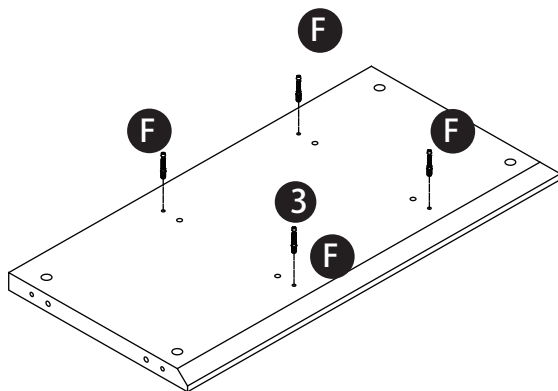
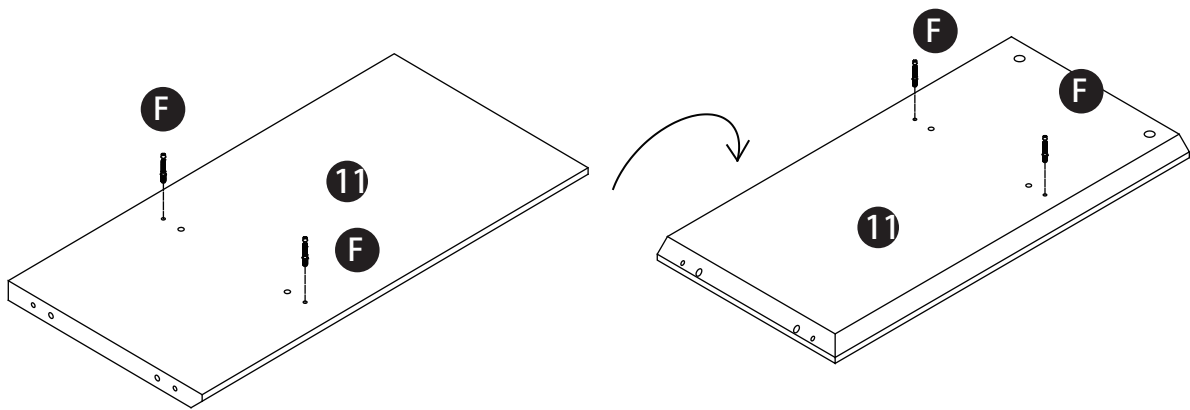
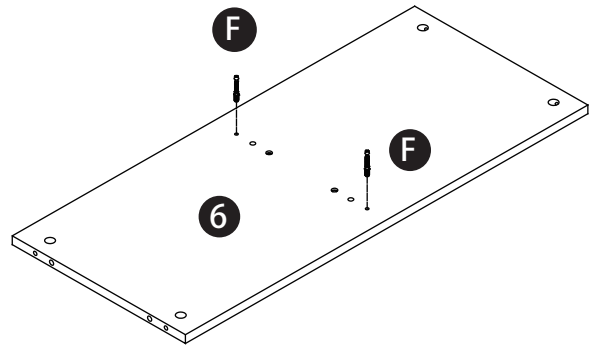
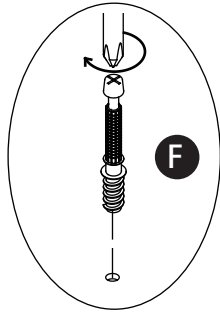
Check the pack and make sure you have all the parts listed above.
If not, contact the helpline on 03451 656565 who will be able to help you.

When you are ready and sure that you have the right tools to hand, you will need plenty of space and a clean dry area for assembly.

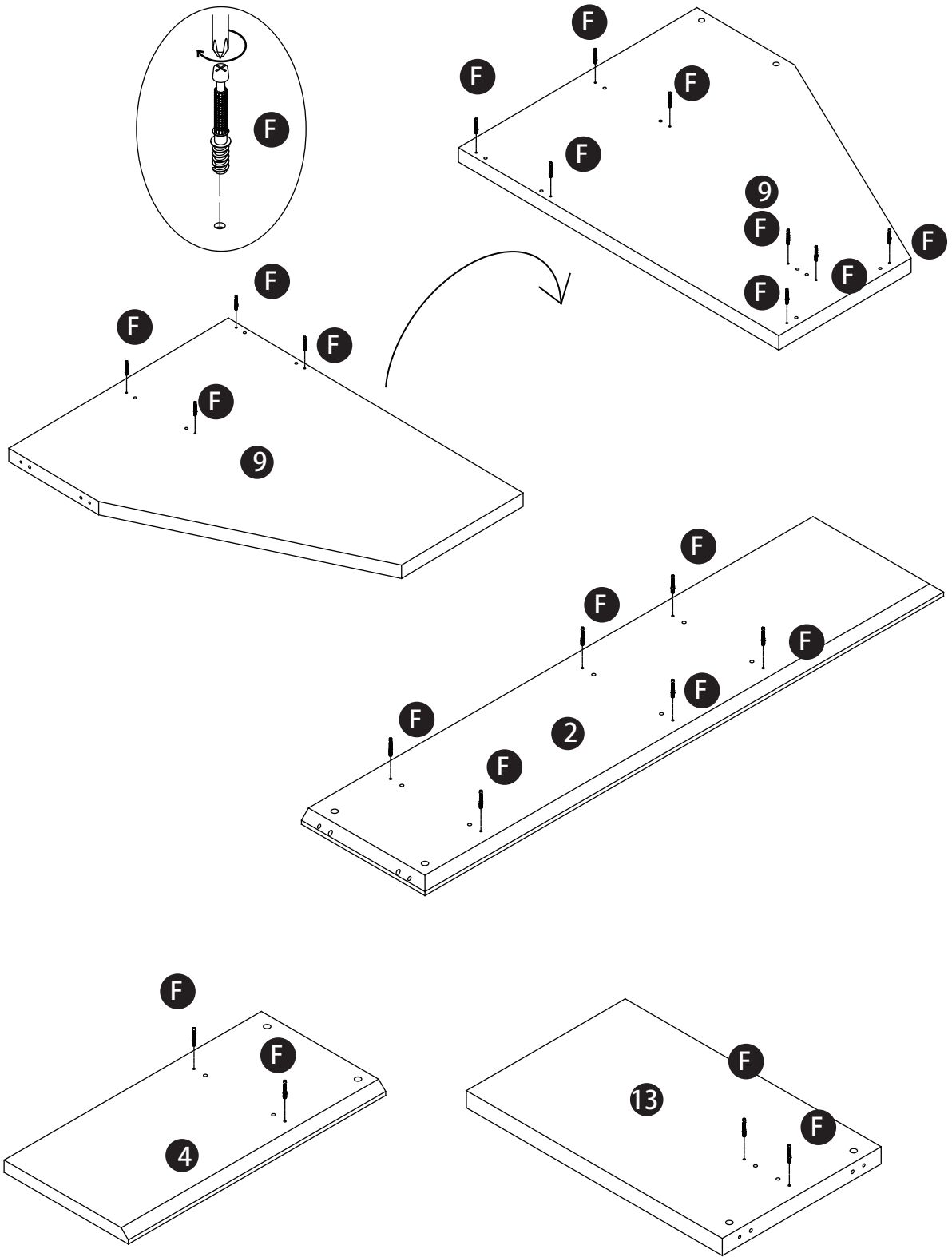
Ready?

Follow this step-by-step guide

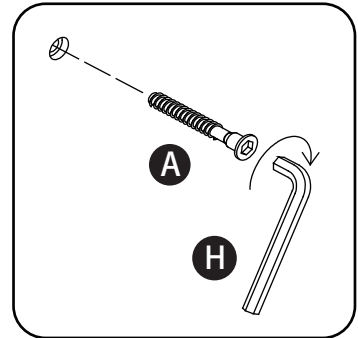
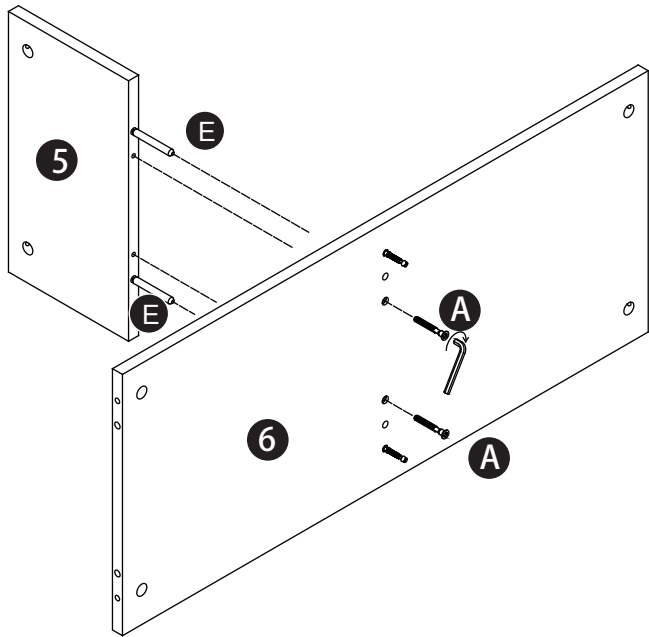
1



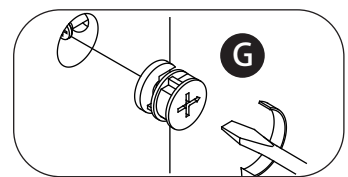
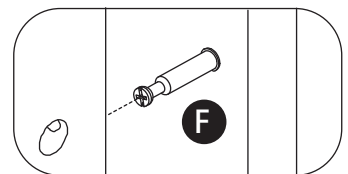
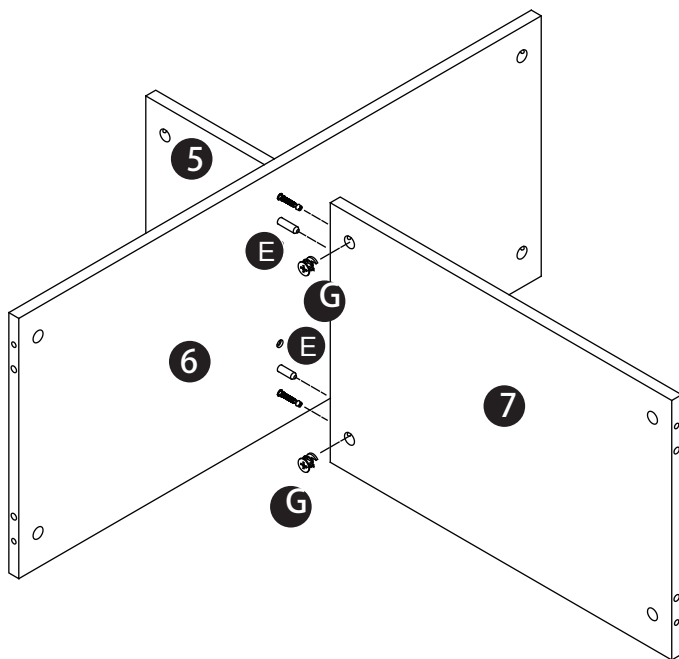
2



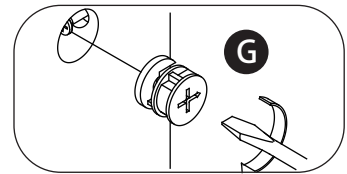
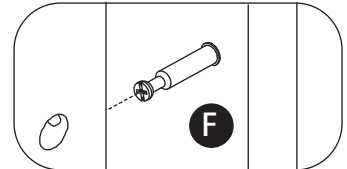
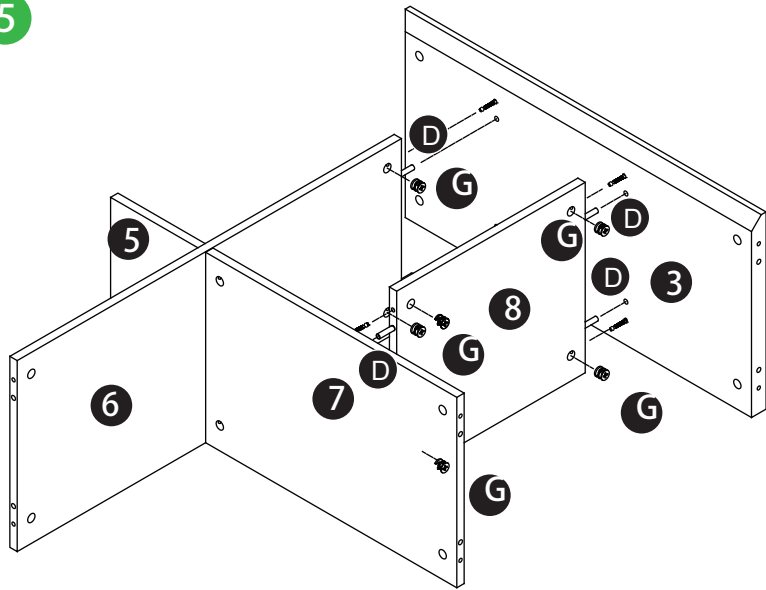
3



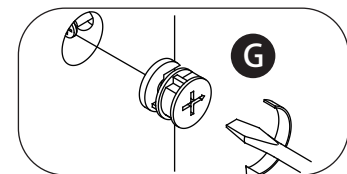
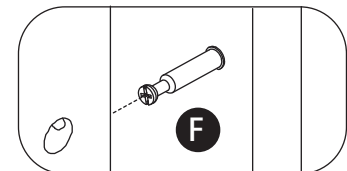
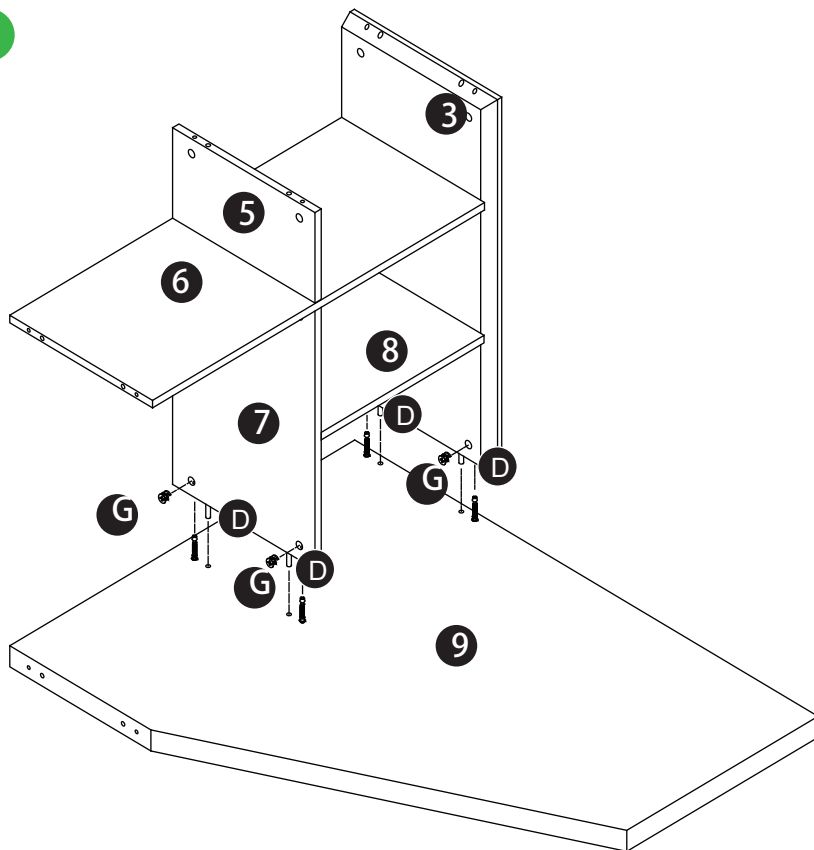
4



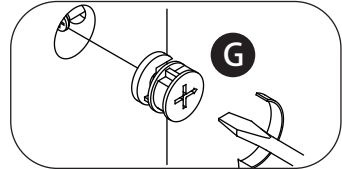
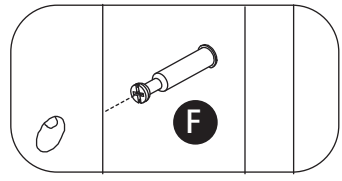
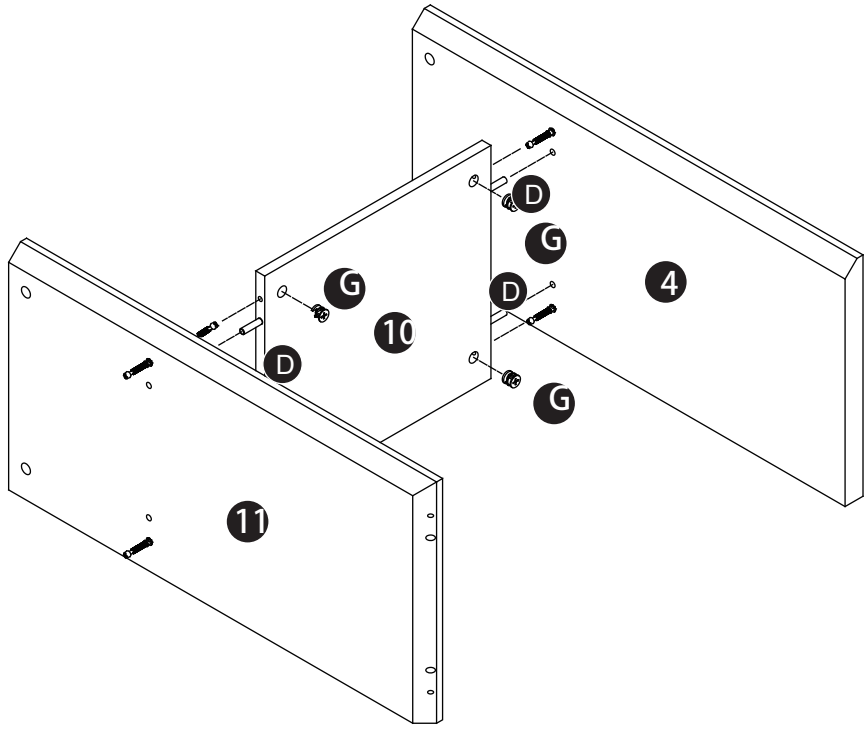
5



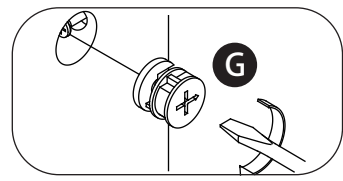
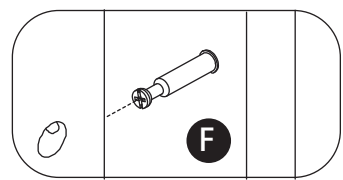
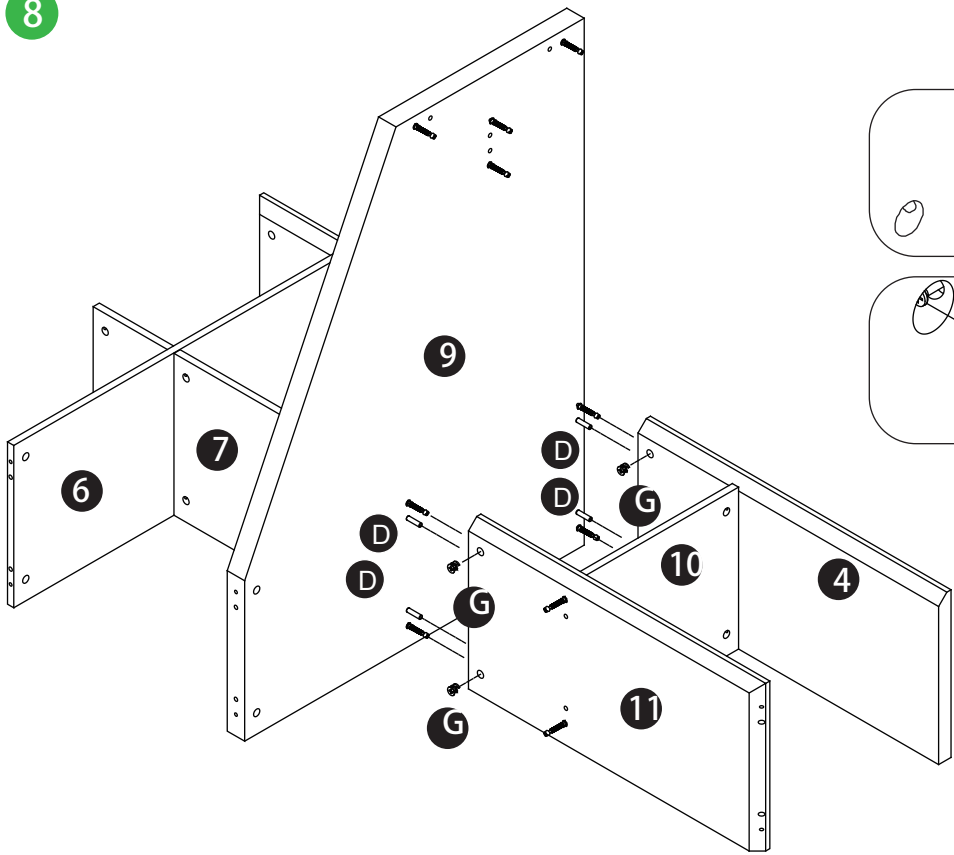
6



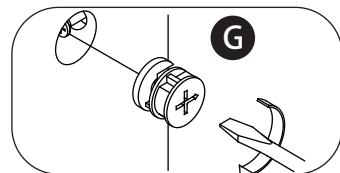
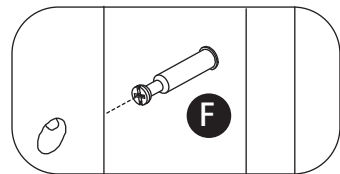
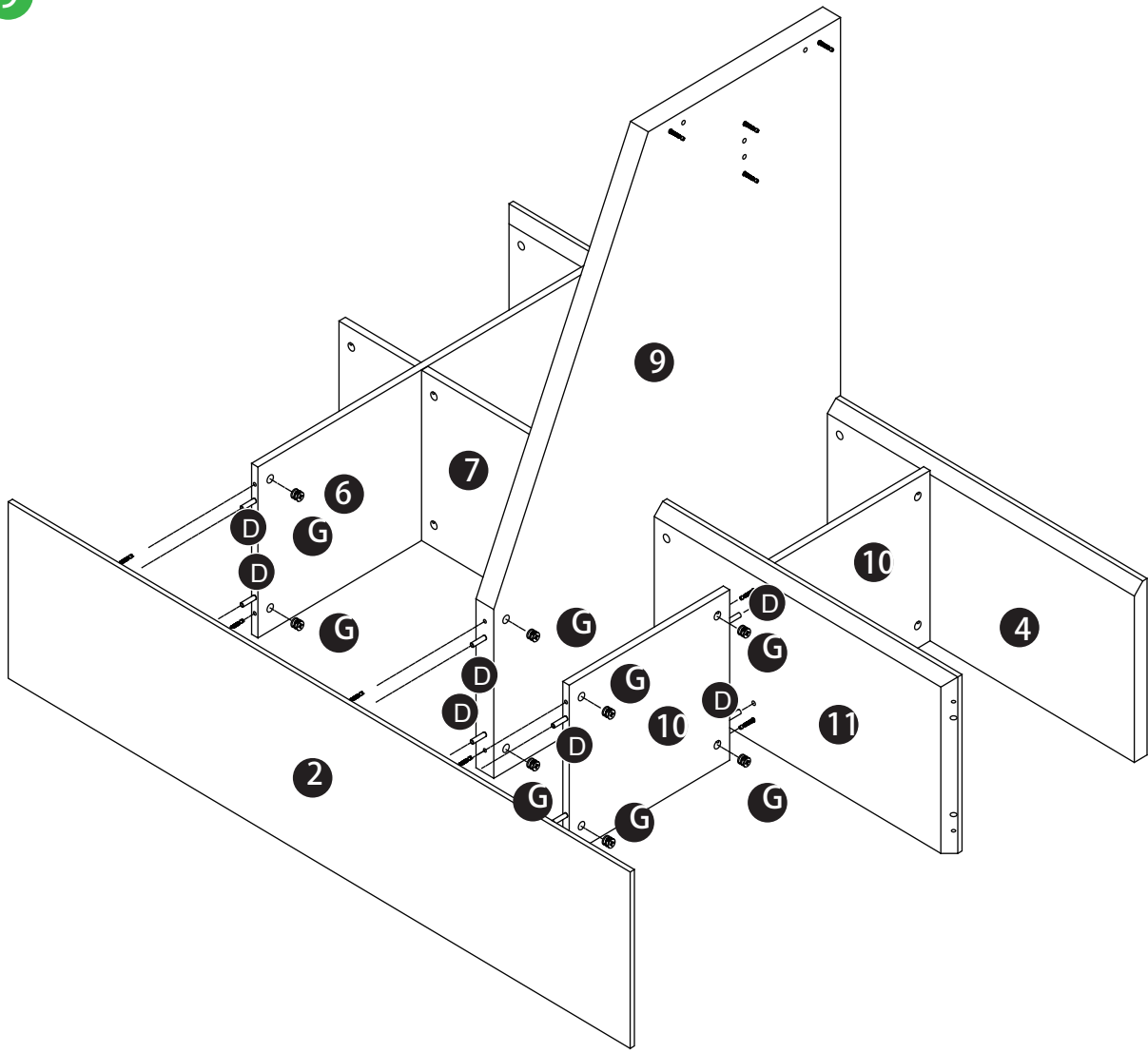
7



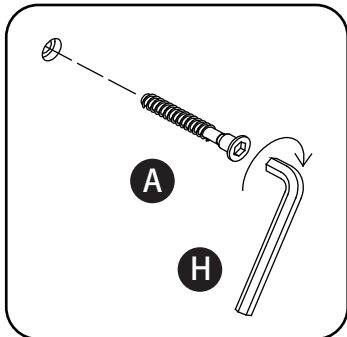
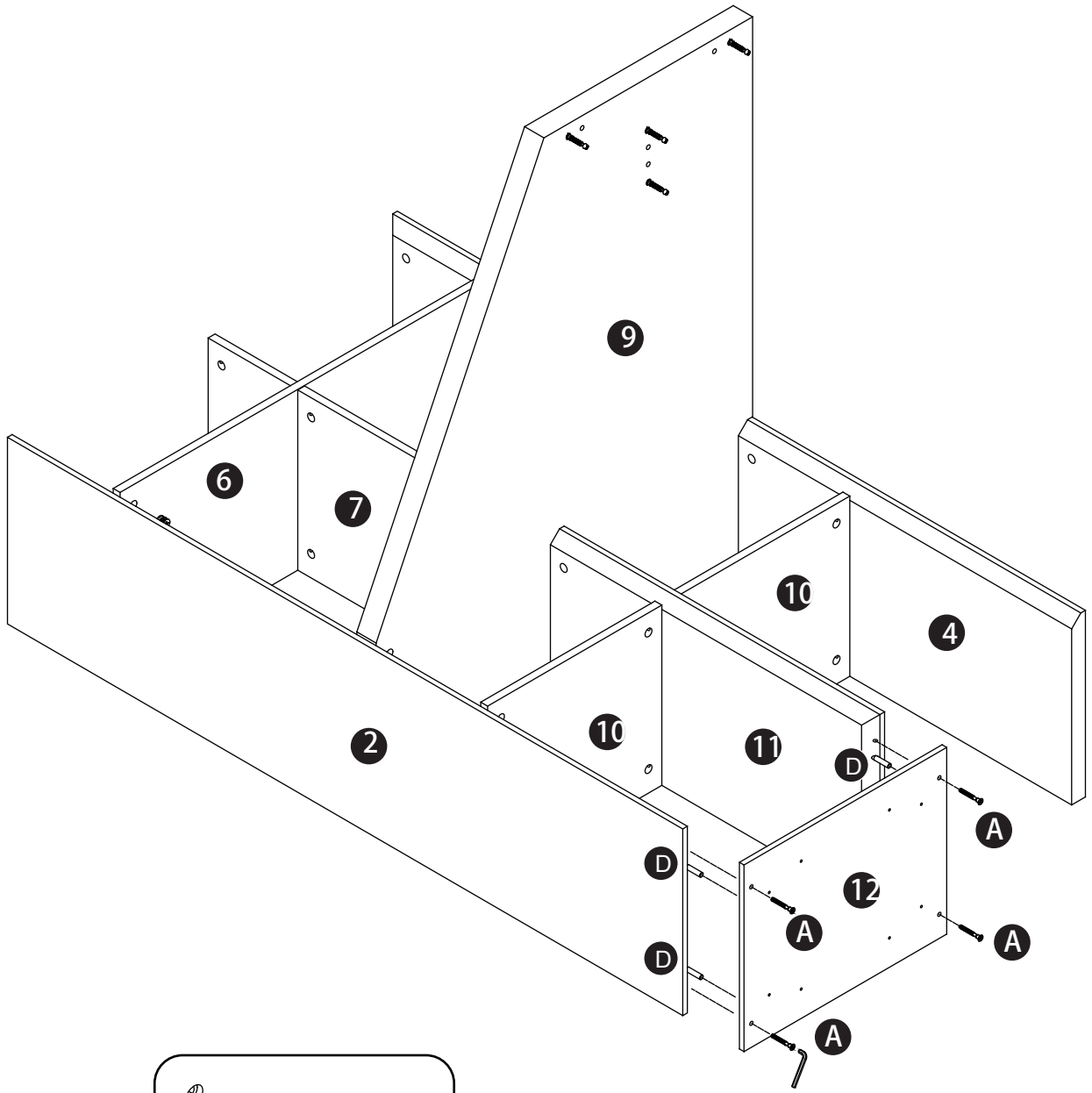
8



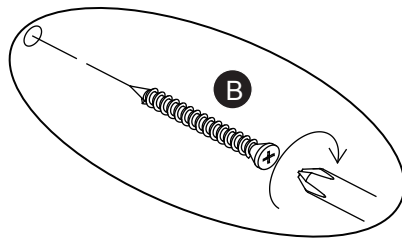
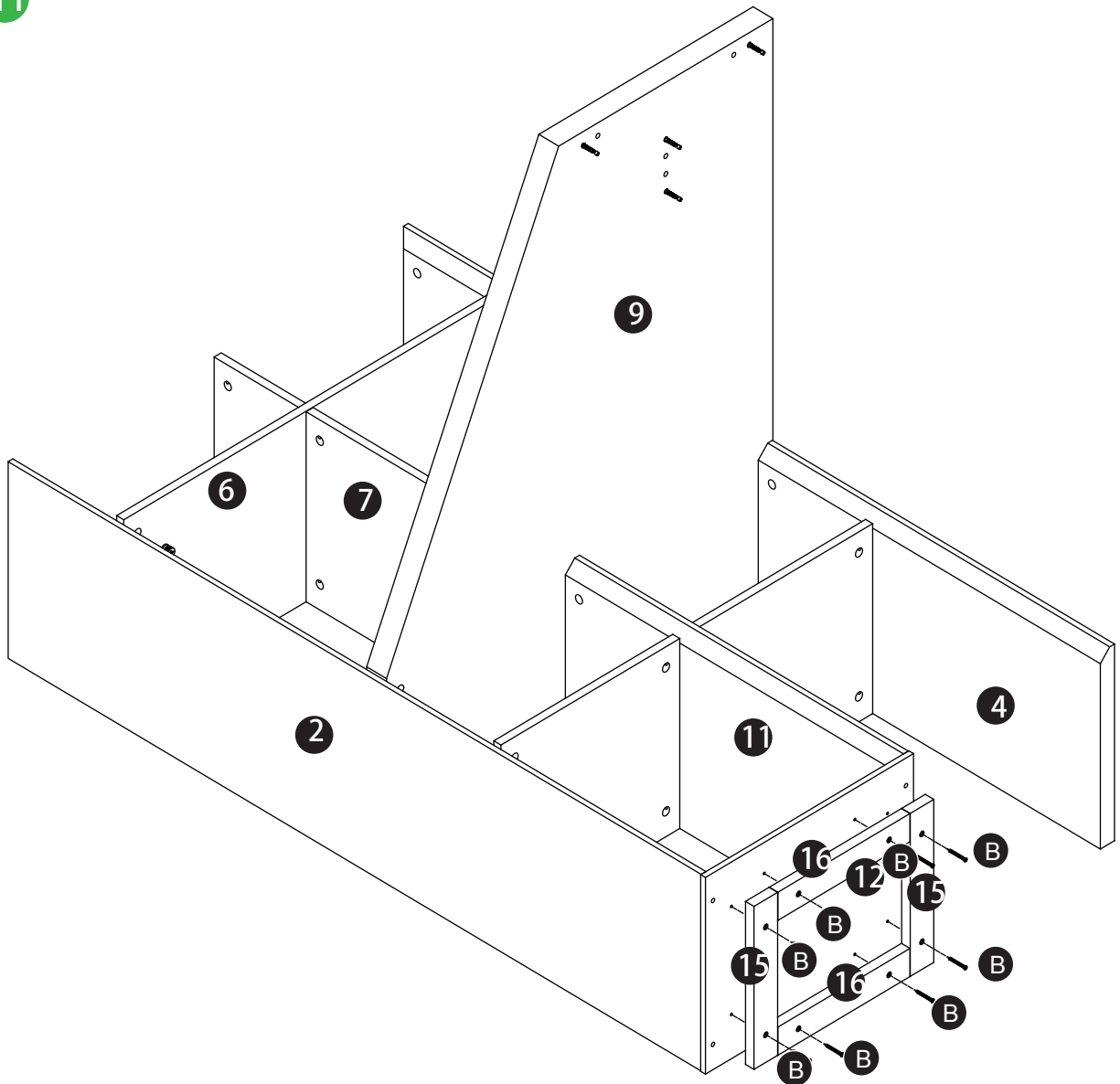
9



10

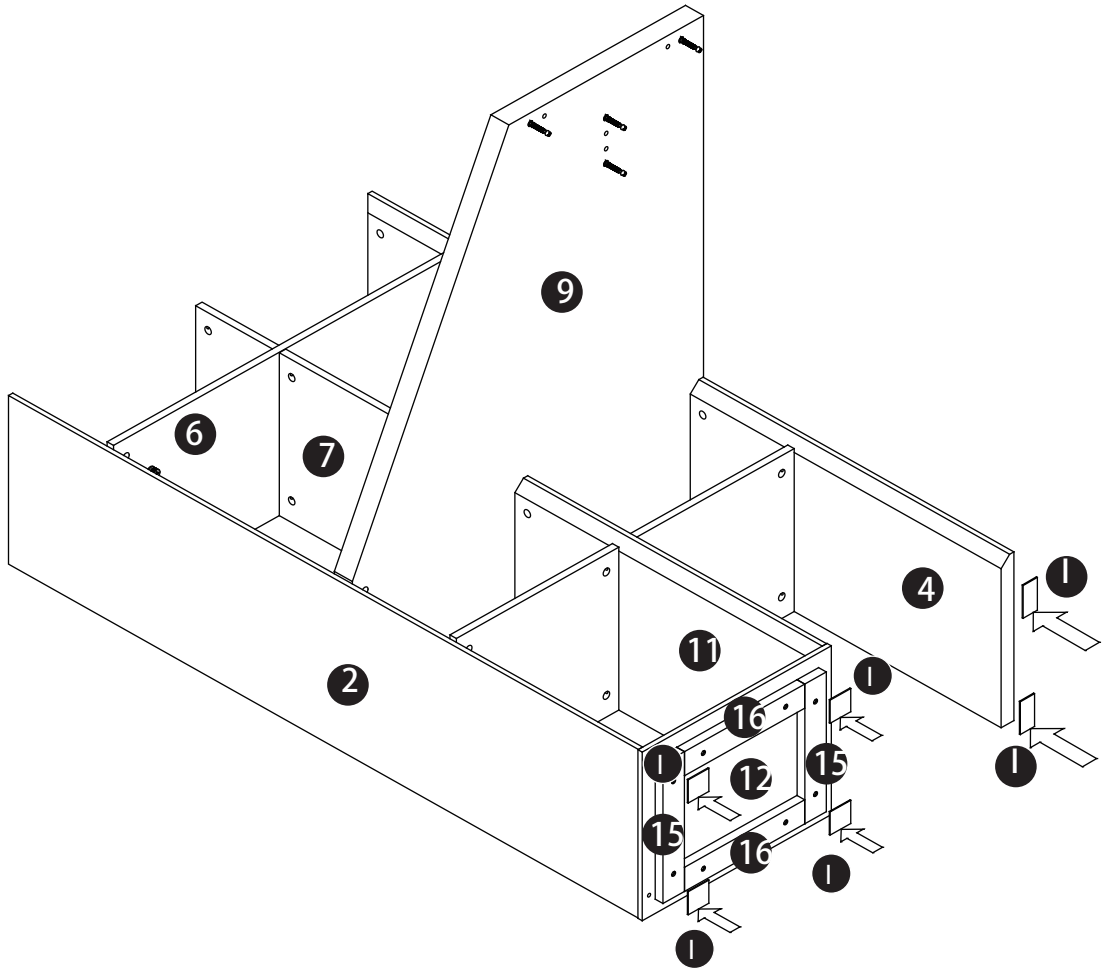


11

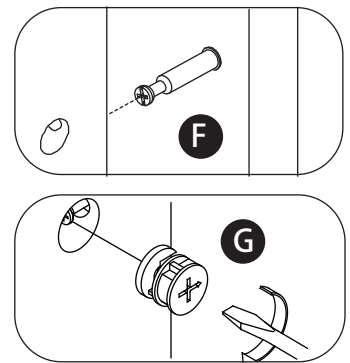
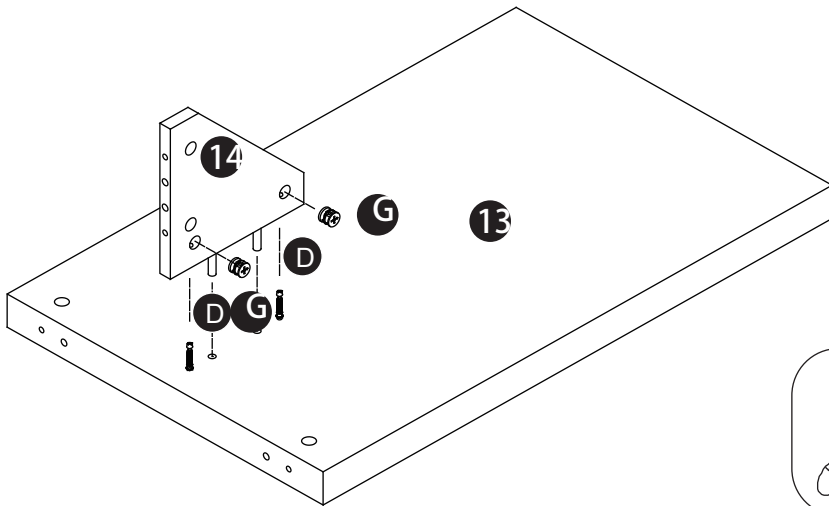


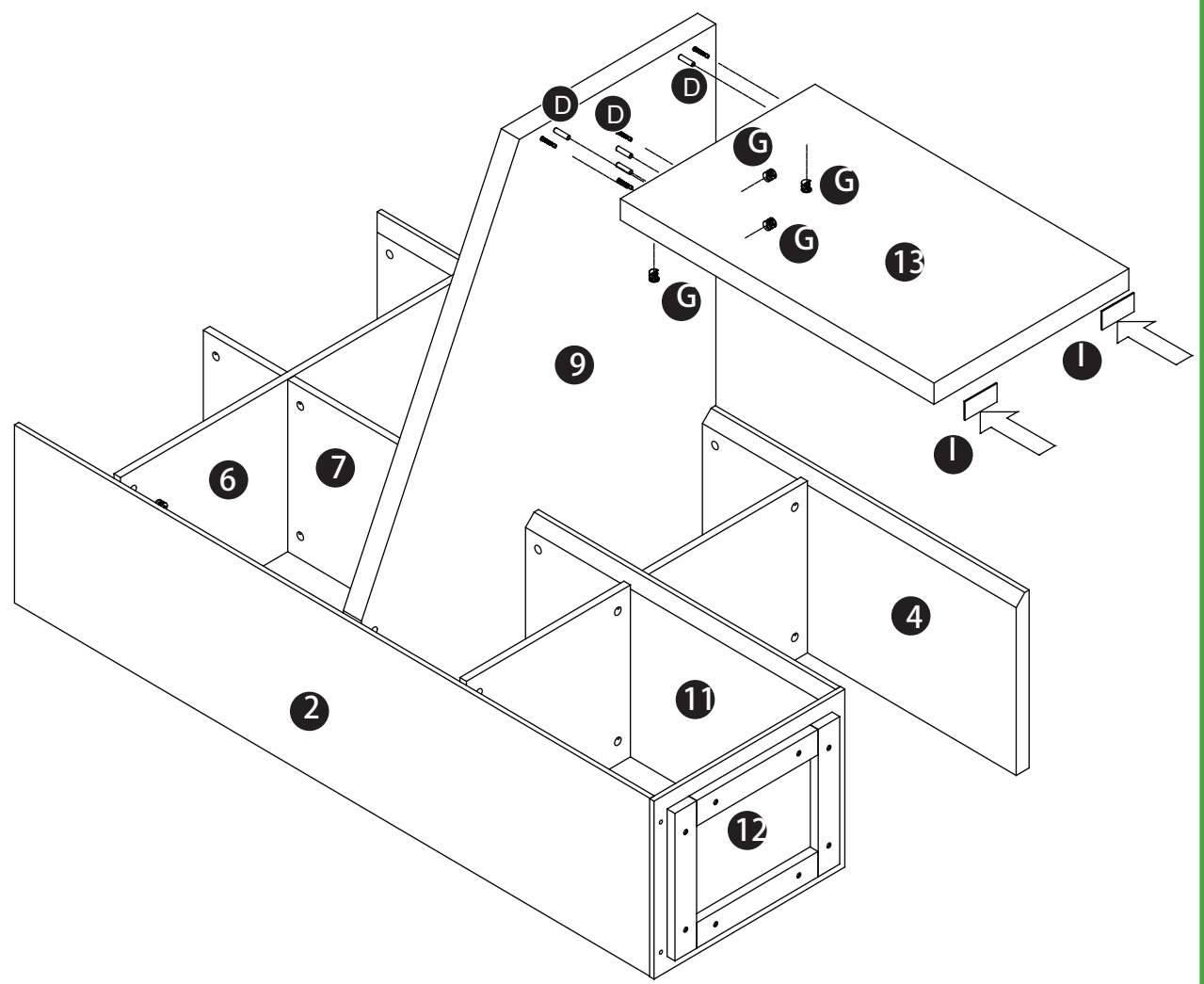
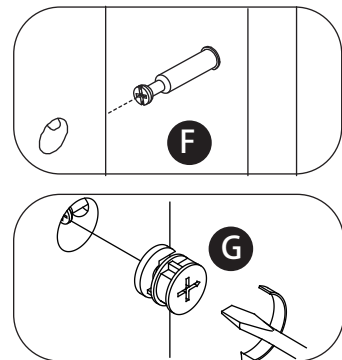
13

12

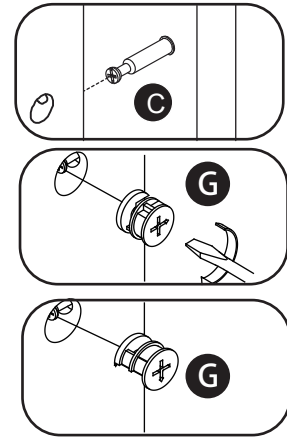
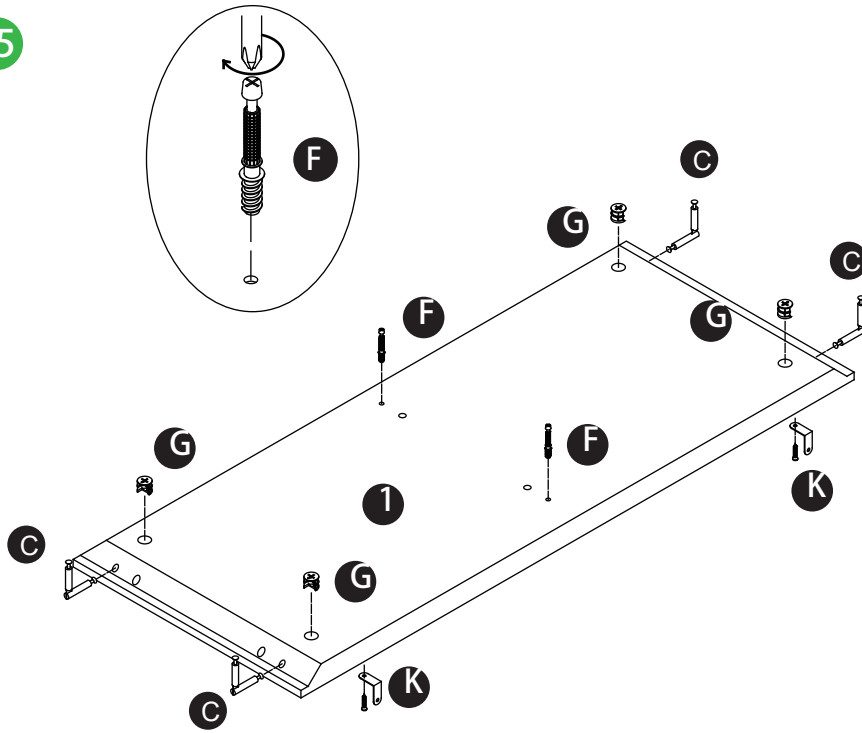


13



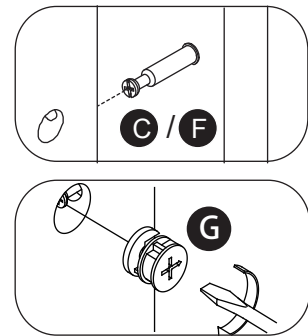
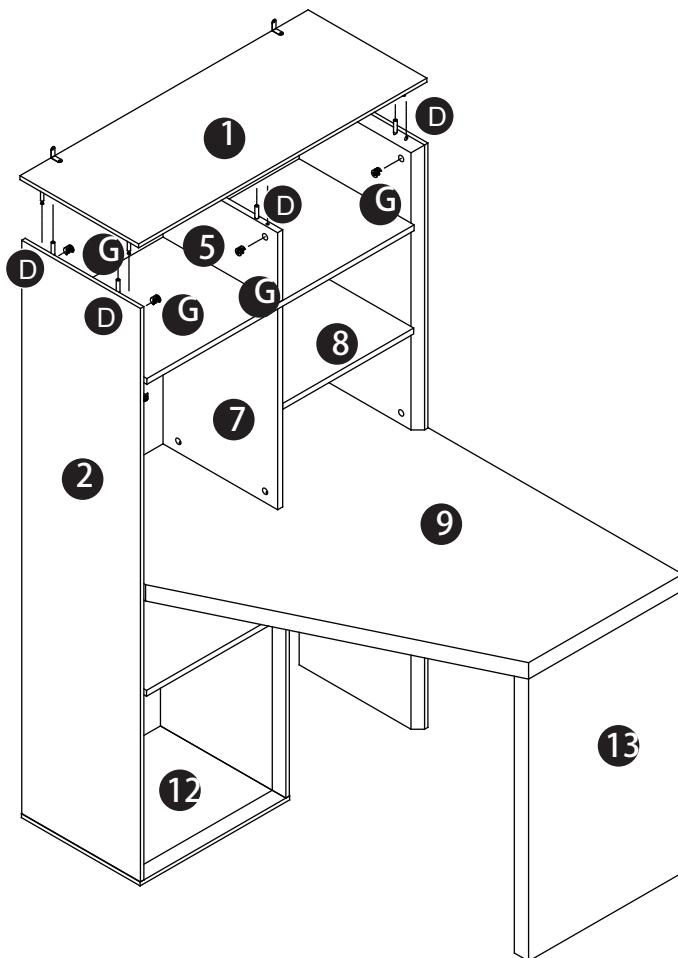


15



First tighten 1/4 turn only.

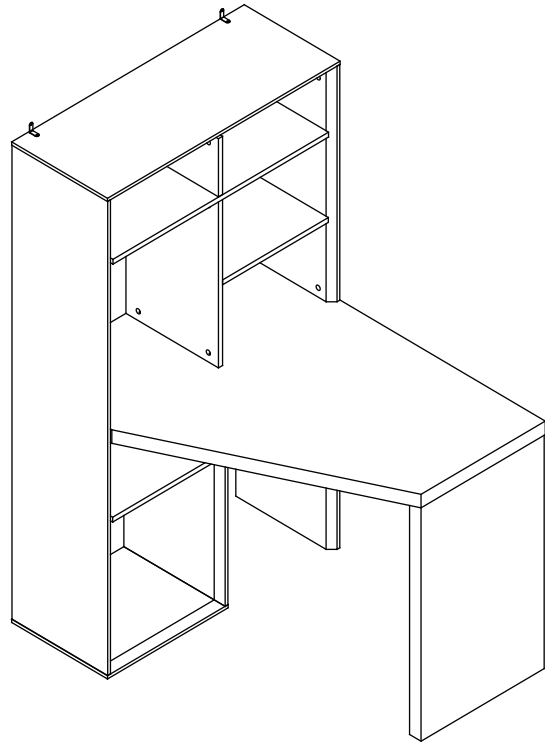
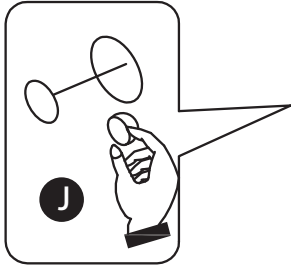
16



Then tighten all cams.

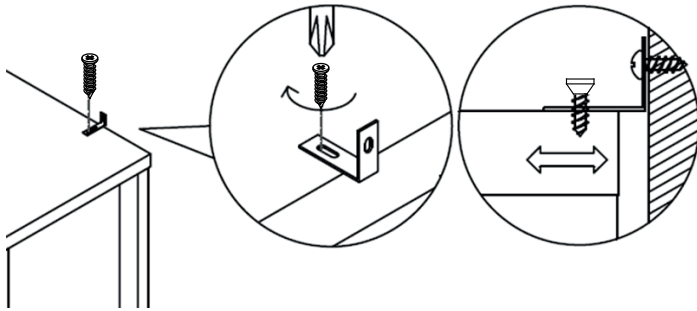
17

1. Use stickers (J) on all visible holes.



Wall Fixings

Metal Bracket

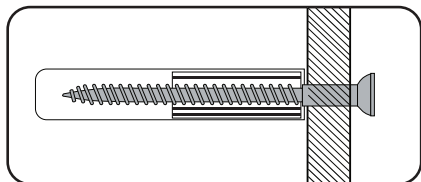


- Please ensure that the Metal L bracket is screwed into the wall as the image shows, the bracket location may vary on unit location and personal preference.
- Wall screws and plugs are not provided however please use our guide to help you choose the correct screw/plug type for your wall.
- When drilling the walls, always ensure there are no hidden wires or pipes.
- Further details of wall attachment methods

- This wall fixing is provided for your safety and we recommend that once in position the unit is secured to the wall for extra stability.
- Wall fixings may vary depending on item of furniture purchased.
- Wall fittings are not provided as different wall types require different raw plugs and screws.
- Please ensure that you use fittings that are suitable for your wall type (see next page for a general guide).
- Please ensure that the head of the screws used has a diameter greater than the diameter of the hole on the wall fixing and that the fixing is safe and secure before using.
- When drilling into the walls, always ensure there are no hidden wires or pipes.
- If you are unsure, we recommend you consult a qualified Trades person.

Wall Fixings

Follow this step-by-step guide



IMPORTANT:

When drilling into walls always check there are no hidden wires or pipes etc. Make sure that the screws and wall plugs being used are suitable for supporting your unit. Consult a qualified tradesperson if you are unsure.

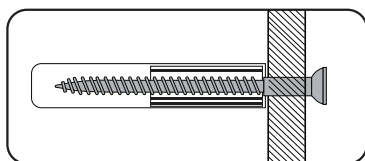
HINTS

1. General Rule; Always use a larger screw and wall plug if you are not sure.
2. Ensure you use the recommended drill bit to match the wall plug and hole size.
3. Ensure you drill the hole horizontally, do not force the drill or enlarge the hole.
4. Take extra care when drilling high walls, ceilings and ceramic tiles. Ensure the plug is fitting below the ceramic tile to avoid splitting or cracking.
5. Ensure wall plugs are well fitted and are a tight fit in the drilled hole.

Types of Walls

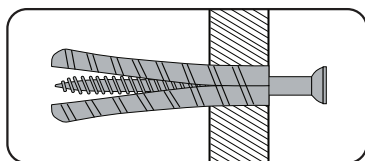
You can use one of the following types of wall plug if your walls are made of brick, breeze block, concrete, stone, wood or plastic board.

1. STANDARD Wall Plug General wall materials



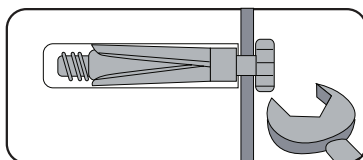
These come in various sizes and are made from plastic or sometimes wood fibre.

2. GENERAL PURPOSE Wall Plug Aerated/Breeze block



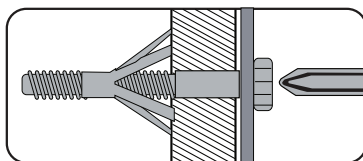
Generally aerated blocks should not be used to support heavy loads, use a specialist fitting in this case. For light loads, a General Purpose Plug can be used.

3. SHIELD ANCHOR Wall Plug Heavy loads



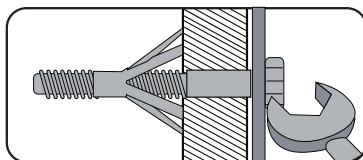
For use with heavier loads such as TV & Hi-fi Speakers and Satellite Dishes etc.

4. CAVITY FIXING Wall Plug



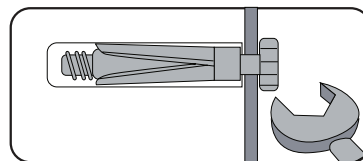
For use with plaster board partitions or hollow wooden doors.

5. CAVITY FIXING HEAVY DUTY Wall Plug




For use with plaster board partitions or hollow wooden doors.


6. HAMMER FIXING Wall Plug



For use with walls stuck with plaster board. The hammer fixing allows it to be fixed to the wall rather than the plaster board. Always check the fixing is secure to the retaining wall.

CARE & MAINTENANCE

 **Safety**
Always check the fitting and location to ensure your safety in and around the home.

 **Fitting**
From time to time check the fitting to ensure the wall plugs or screws do not become loose.

Care and maintenance

Wood

Only clean using a damp cloth and mild detergent, do not use bleach or abrasive cleaners.

From time to time check that there are no loose screws on this unit.

Wood is a natural product and each piece is individual. The colour will mellow over time and new items can vary in shade from items that you have already purchased. We also recommend that any ornaments, coasters and items placed on the product are periodically moved around to allow the colour to mellow evenly.

As a natural product, wood is affected by temperature and humidity. We recommend that you avoid placing the furniture directly in front of heat sources such as radiators or fires as this can cause cracking or warping over time. Always use mats and coasters to protect the surface when placing items on the furniture. This will help to protect the finish from heat, liquids or items that might scratch your furniture.

Remove any spills immediately to avoid staining. Dust regularly with a soft lint free cloth or duster.

The use of abrasive polish or silicon based polishes is not advised as these can affect the polished finish and joints over time. Always lift your furniture into place, avoid dragging it across the floor as this can cause damage to joints.

For accidental spills or stains

Never rub or scrub with a cloth as this could damage the fabric and remove the colour.

Blot or soak up spills immediately using a dry soft colourfast cloth.

Do not use washing up liquid, detergents or bleach to remove stains.

If using specialist upholstery cleaner, always follow the manufacturer's instructions and always test on a hidden area to check colour fastness. Allow the test patch to completely dry first. If the fabric colour is affected, do not use this cleaner on the rest of your product and consult a specialist.

Finally, we hope you enjoy your furniture for many years to come and thanks again for your purchase.

