

**Lynton 5 Drawer Chest**

White

L84 x W42 x H100.5 cm

## DEAR CUSTOMER



Thank you for purchasing your new piece of furniture from Dunelm.

We put a lot of effort in the design and construction of our products to ensure they set the standard for quality, durability and ease of assembly.

If for any reason you feel we haven't lived up to the high standards we set ourselves, please don't hesitate in contacting us on 03451 656565 where our team will be very keen to understand what has gone wrong and, more importantly, put it right.

### The Next Step...

There is no need to feel daunted by the number of parts and fittings in front of you, we have compiled this straight forward, step-by-step guide to make sure that assembling your furniture is as easy as 1, 2, 3.

Before you begin, we advise that you check that you have everything you need to get started.

#### TOP TIP

Find a space to spread everything out across the floor before you begin assembling the item. Lay each panel down on a clean and level area, ideally in the room of intended use, ensuring there is enough room to manoeuvre around the item. It is recommended that two people assemble this product together.

The full list of furniture parts, fixtures and fittings, as well as the tools you will need for assembly can be found on page 2, 3, 4, 5 and 6 of this manual.

#### TOP TIP

Identify all of the fittings, make sure that you have them all prepared and familiarise yourself with each component, to make things easier when you are putting it all together.

## Safety and Care Advice

**IMPORTANT** - The first step you need to take is to ensure your safety!

Please take the time to read and understand these instructions before assembling your furniture.

Please keep these instructions for future reference.

Keep children and animals away from the assembly area.

This furniture contains small parts that could cause choking if swallowed.

Keep all plastic wrapping materials away from babies and children to avoid danger of suffocation.

Ensure that all packaging is disposed of carefully and responsibly.

From time to time check that there are no loose fittings on the unit, re-tighten when necessary.

Two people may be required for the assembly of this product.

Once items are part or fully assembled they are not returnable unless faulty.

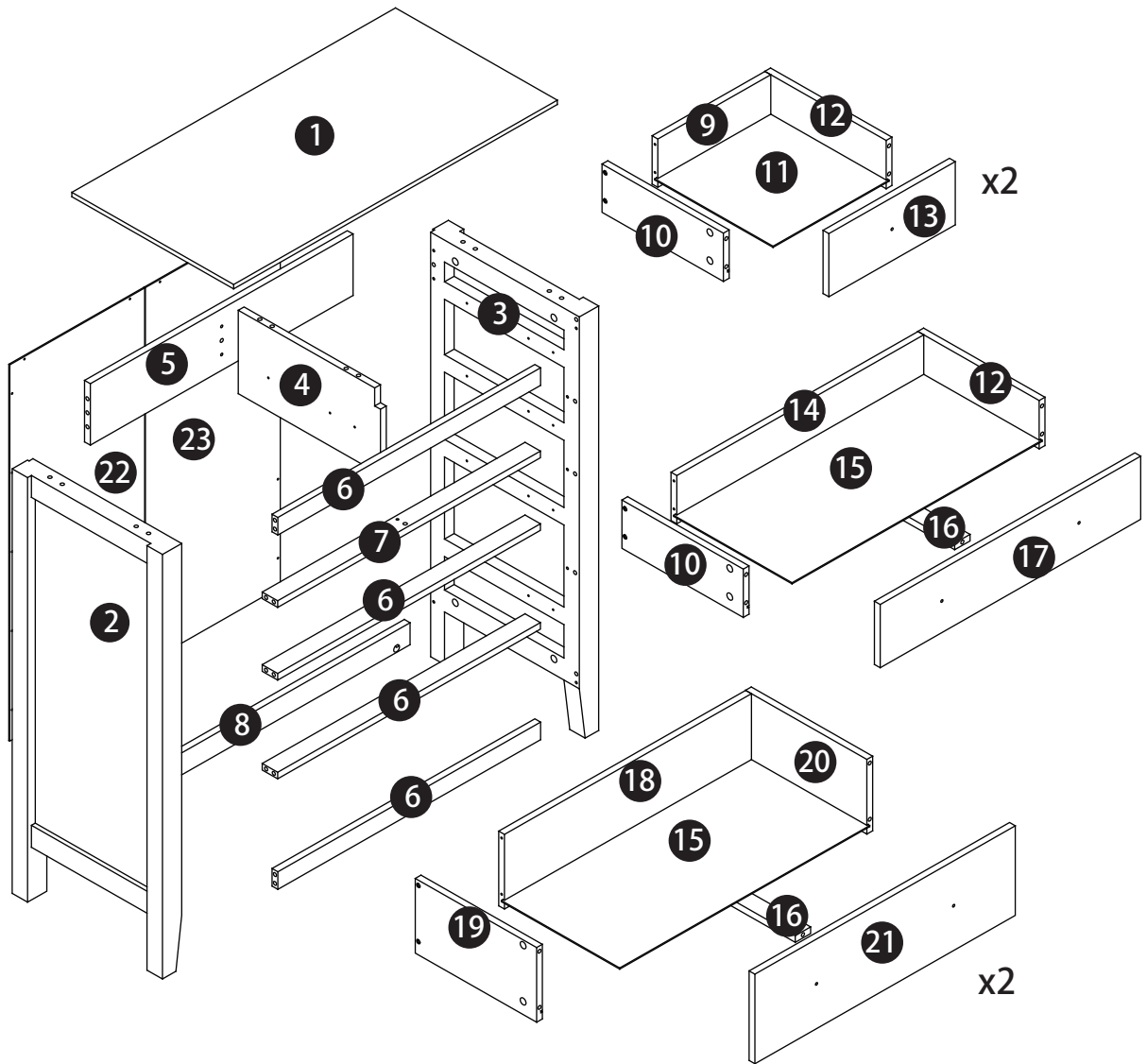
This item is not for outdoor use – unless stated otherwise.

Some items will be supplied with a wall fixing strap, which we recommend is used to secure the item to the wall, to prevent a child from accidentally pulling furniture over.

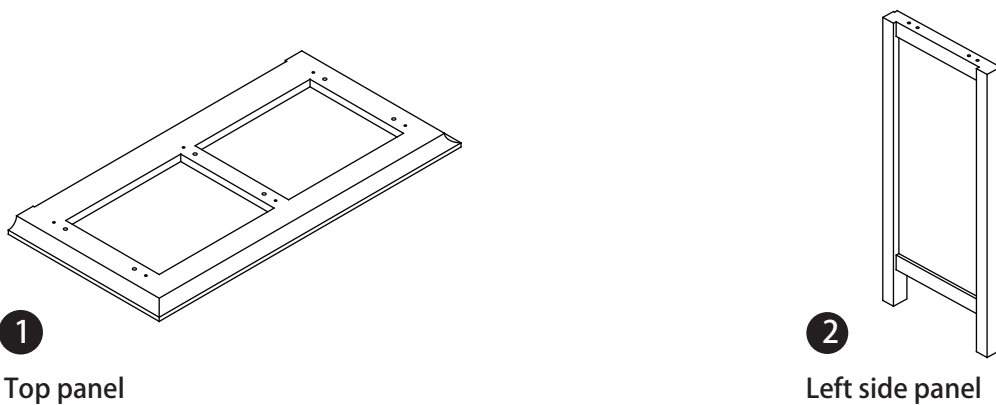
Furniture can be dangerous if incorrectly installed. Assembly should be carried out by a competent person. No liability will be accepted for damage or injury caused by incorrectly installed or assembled furniture.

# Parts & fittings for the Lynton 5 Drawer Chest (30463320)

## Panel - exploded view

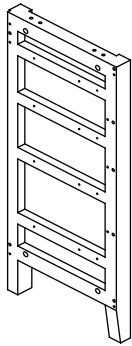


## Panels - plan view

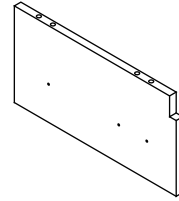


# Parts & fittings for the Lynton 5 Drawer Chest (30463320)

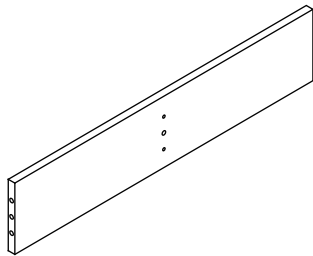
## Panels - plan view



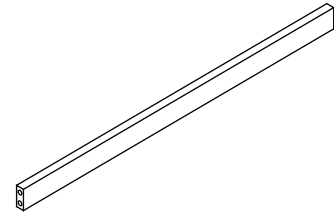
**3**  
Right side panel



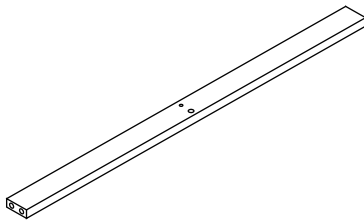
**4**  
Middle crossing bar



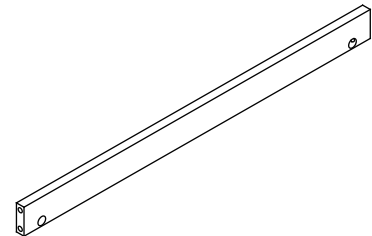
**5**  
Back upper crossing bar



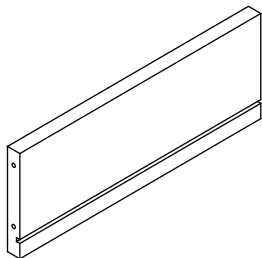
**6**  
Crossing bar x 4



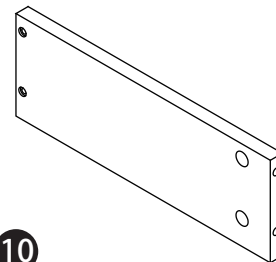
**7**  
Crossing bar



**8**  
Back lower crossing bar



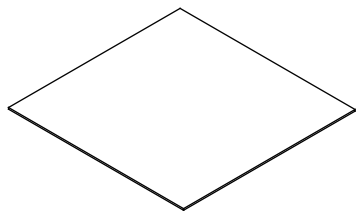
**9**  
Upper drawer back panel x 2



**10**  
Upper drawer leftt panel x 3

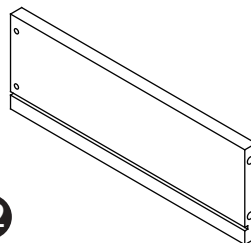
# Parts & fittings for the Lynton 5 Drawer Chest (30463320)

## Panels - plan view



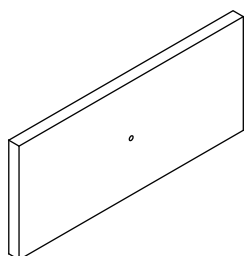
11

Upper drawer bottom panel



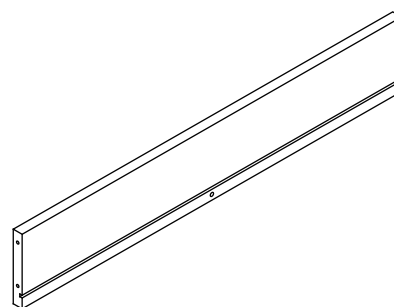
12

Upper drawer right panel x 3



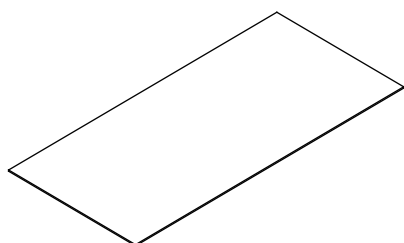
13

Upper drawer front panel x 3



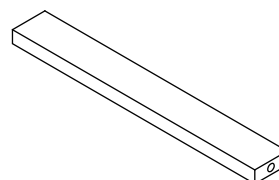
14

Middle drawer back panel



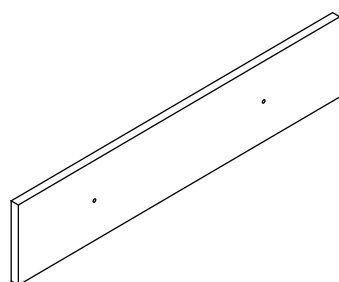
15

Middle drawer bottom panel x 3



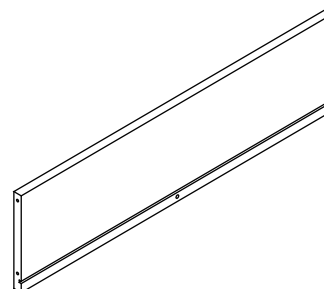
16

Middle drawer bottom support x 3



17

Middle drawer front panel

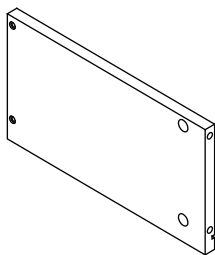


18

Lower drawer back panel x 3

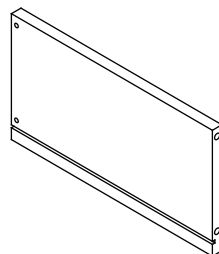
# Parts & fittings for the Lynton 5 Drawer Chest (30463320)

## Panels - plan view



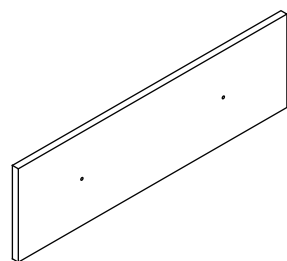
19

Lower drawer left panel x 2



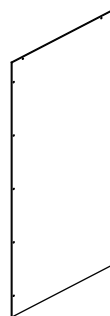
20

Lower drawer right panel x 2



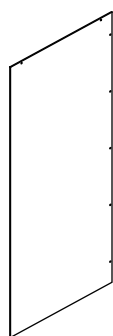
21

Lower drawer front panel x 2



22

Left back panel



23

Right back panel

# Parts & fittings for the Lynton Bedside Table (30463318)

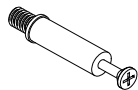
## Fittings

A



Metal cam x 45

B



Metal cam pin x 45

C



30mm Wooden dowel x 22

D



Ø5x40mm Screw x 26

E



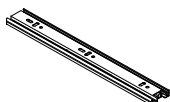
Ø3.5x14mm Screw x 64

F



Ø3x16mm Screw x 14

G



310mm Slide x 4

H



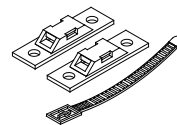
Handle x 8

I



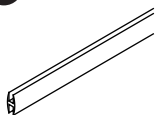
21mm Screw x 8

J



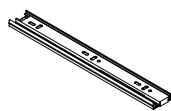
Anti-topple device x 2

K



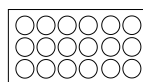
Back panel clip x 1

L



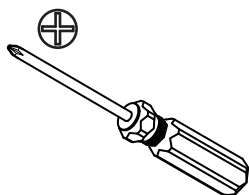
232mm Slide x 6

M

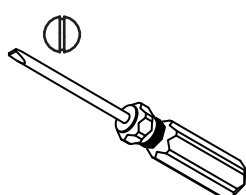


Sticker x 1

## Tools Required



Phillips screwdriver (medium)



Flatblade screwdriver (medium)

## Before you start

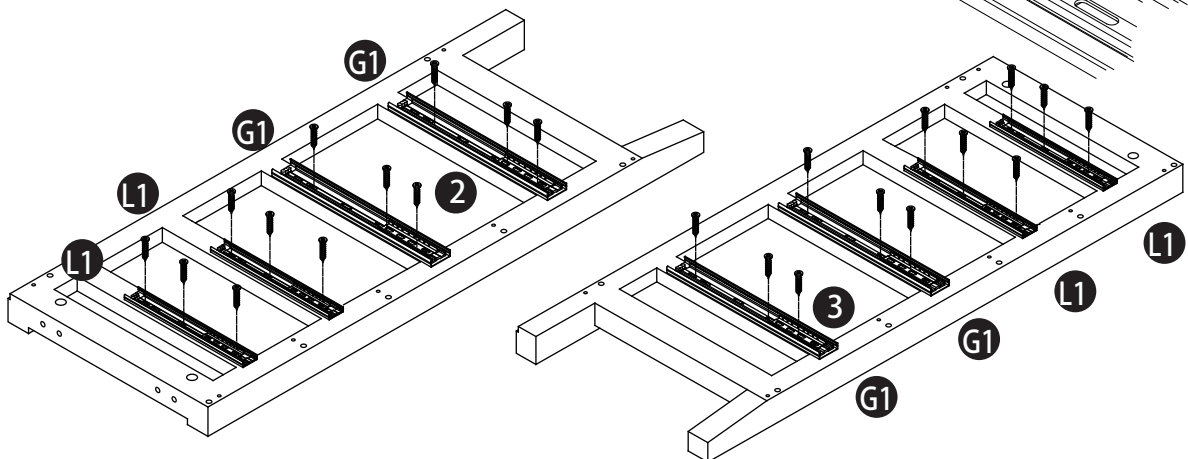
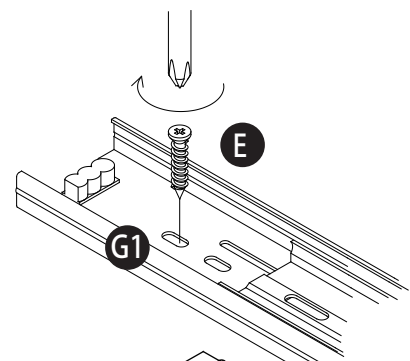
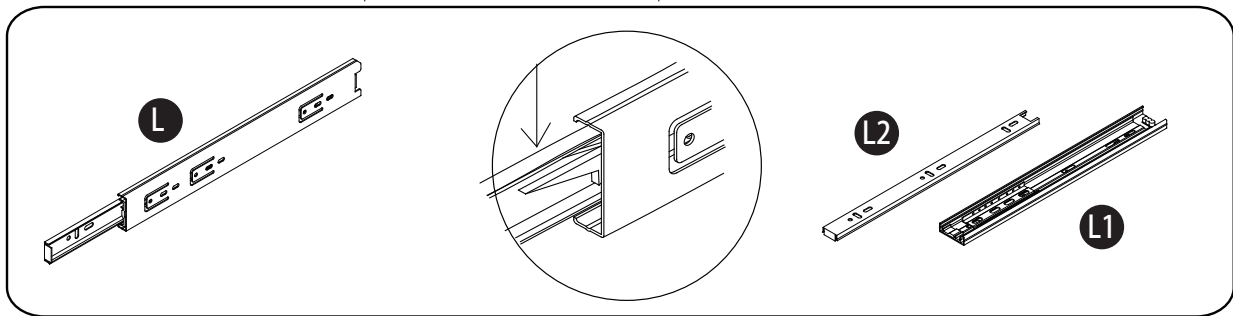
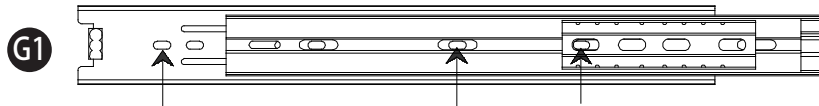
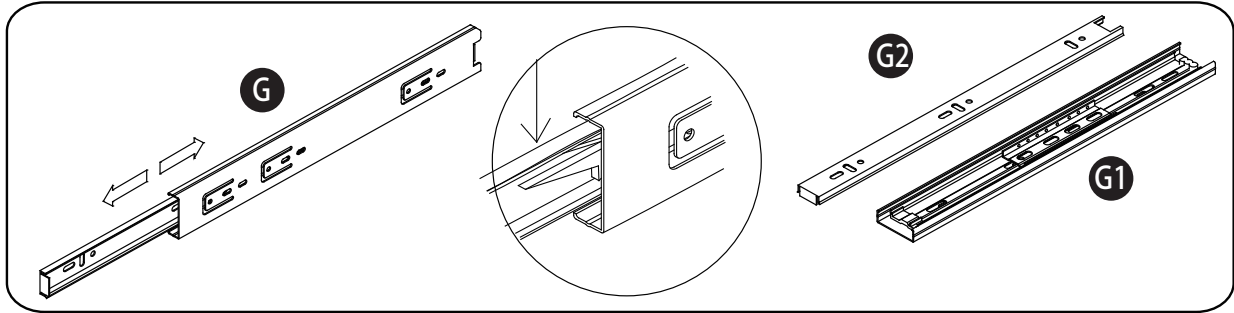
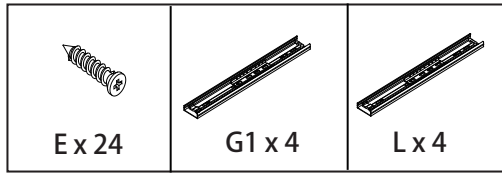
Check the pack and make sure you have all the parts listed above. If not, contact the helpline on 03451 656565 who will be able to help you.

When you are ready and sure that you have the right tools to hand, you will need plenty of space and a clean dry area for assembly.

# Ready?

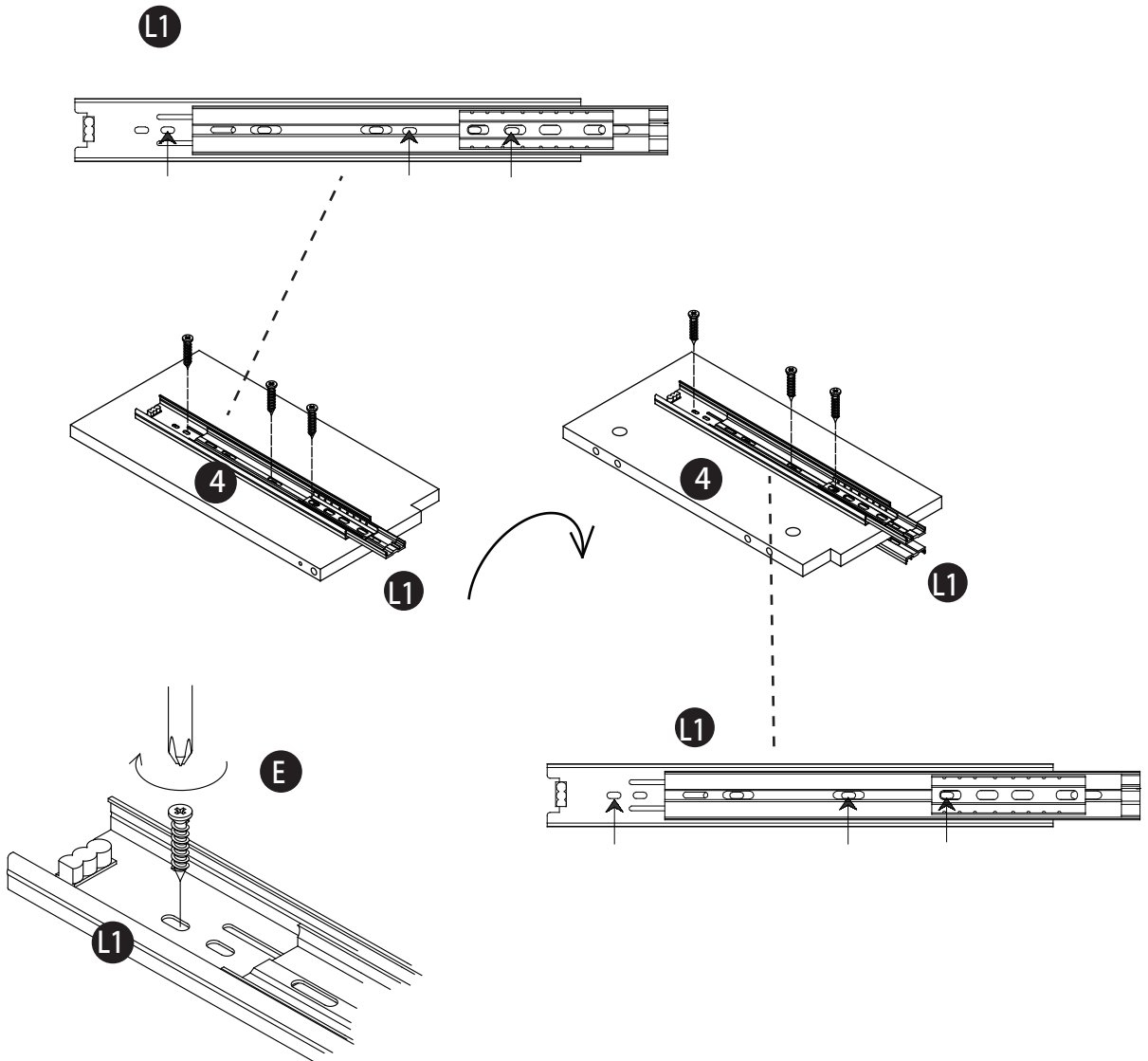
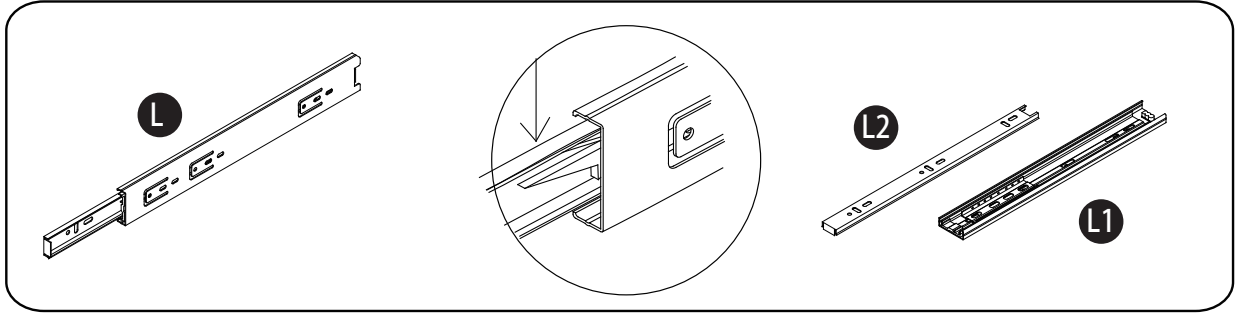
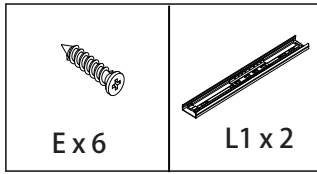
Follow this step-by-step guide

1

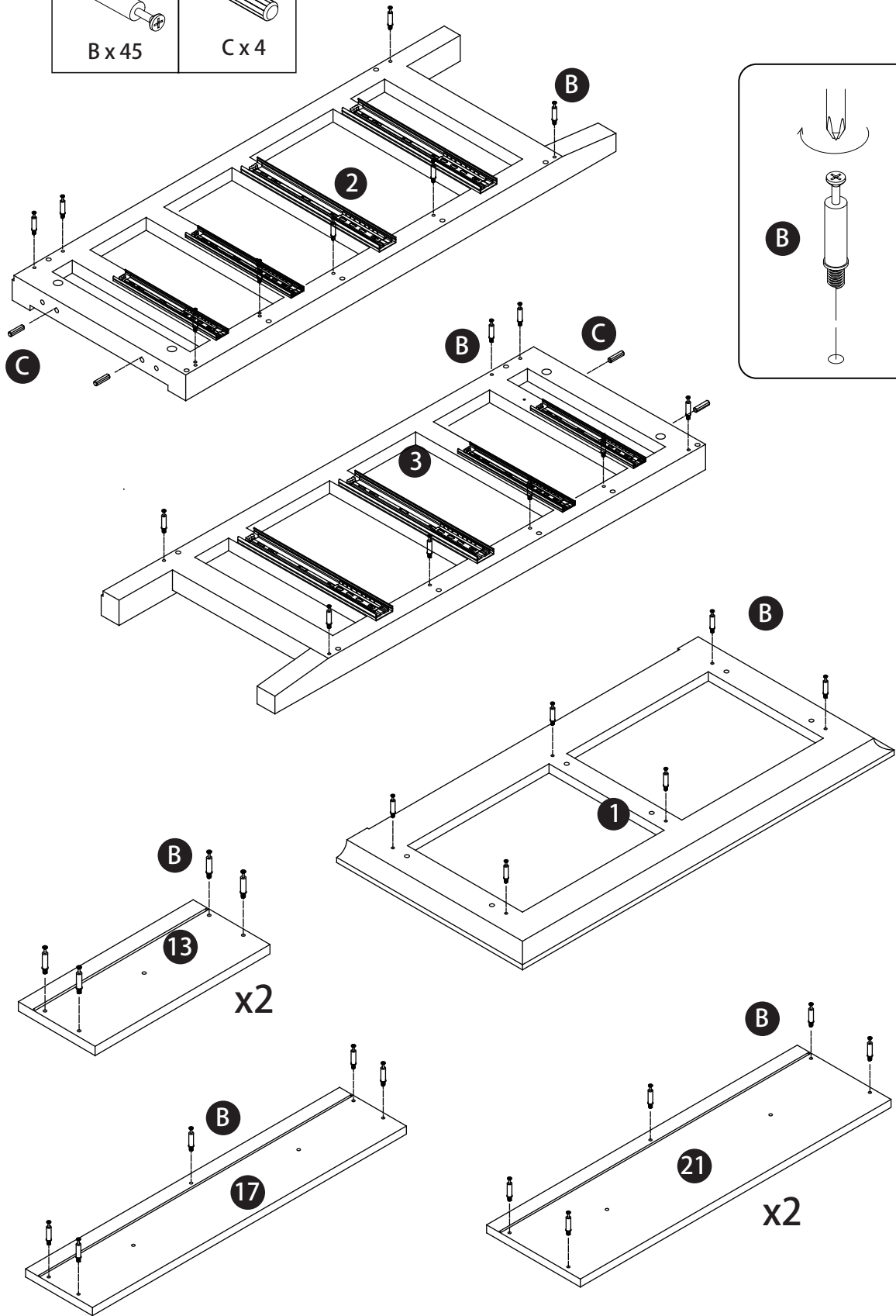
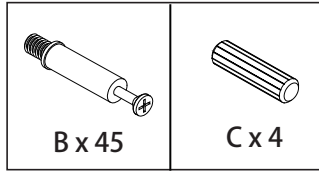




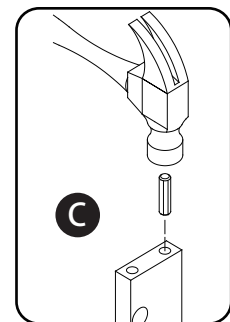
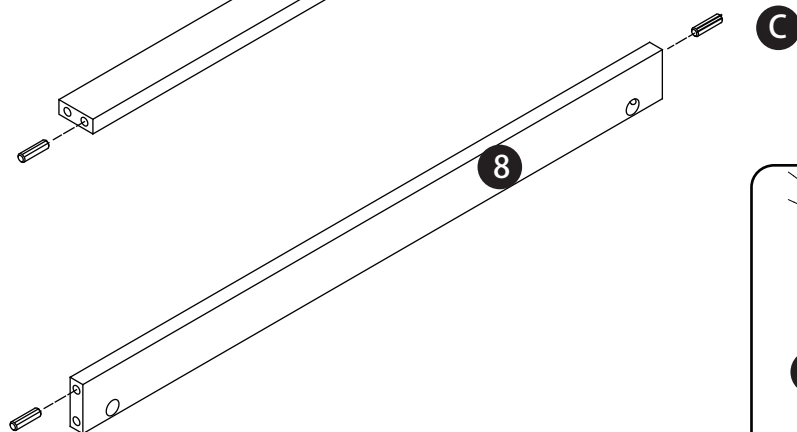
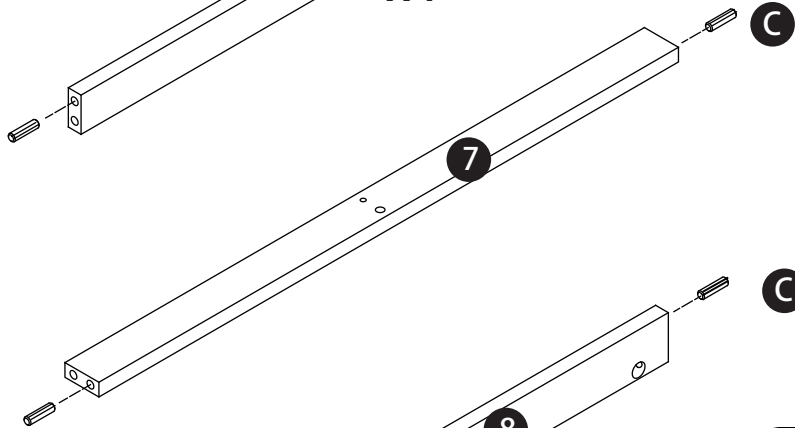
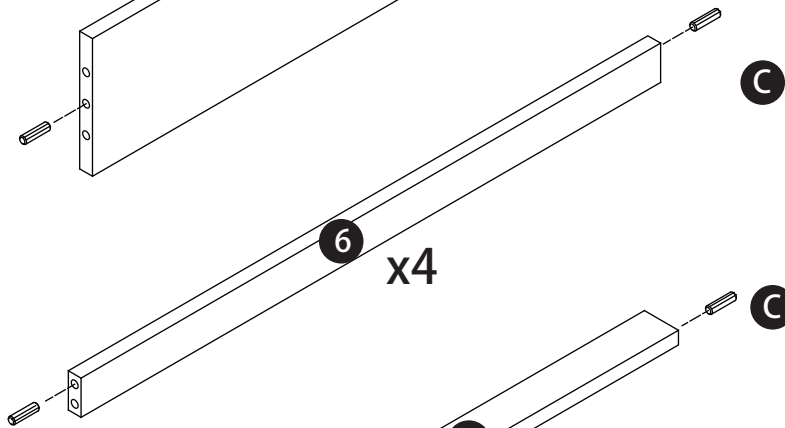
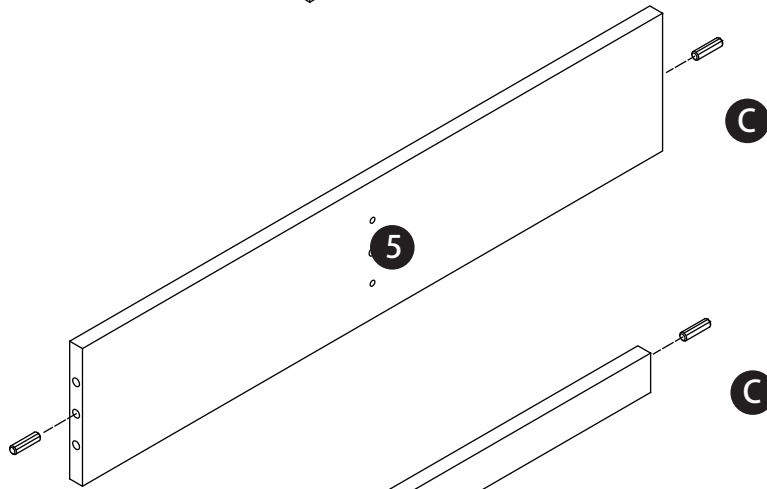
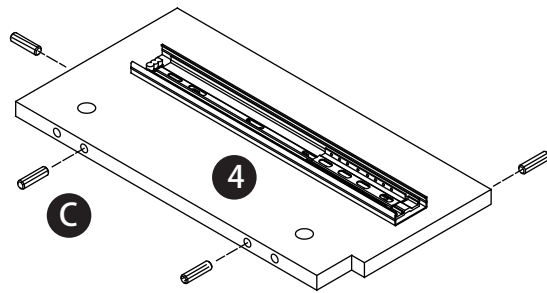
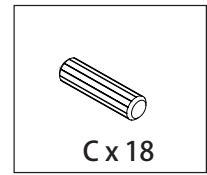
2



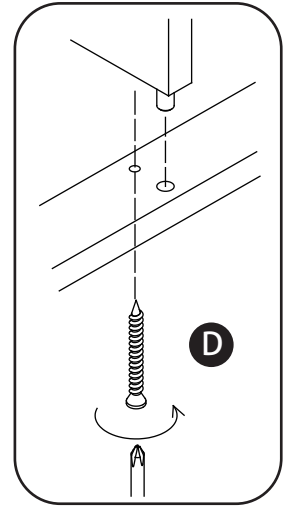
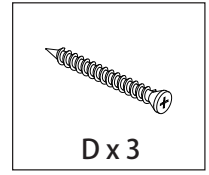
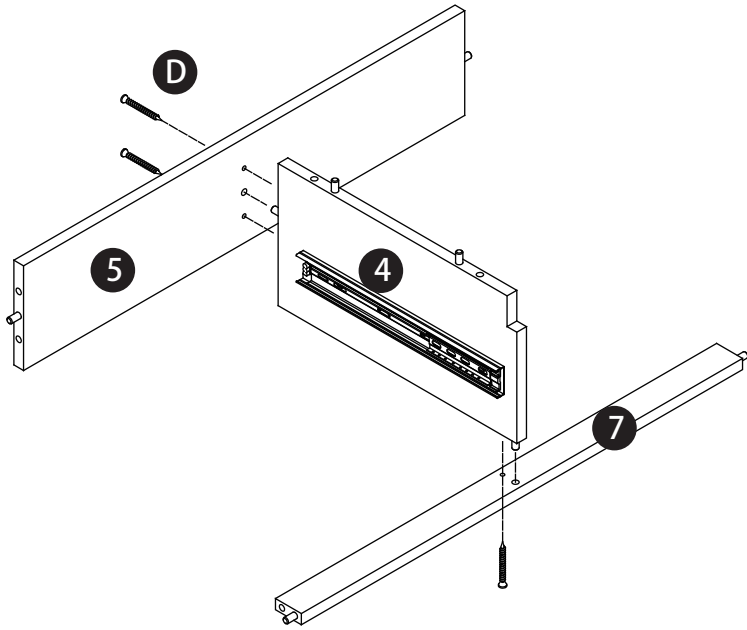
3



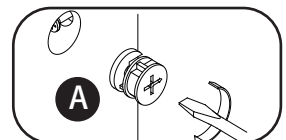
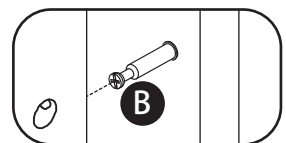
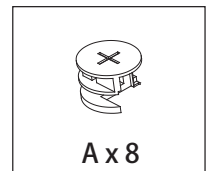
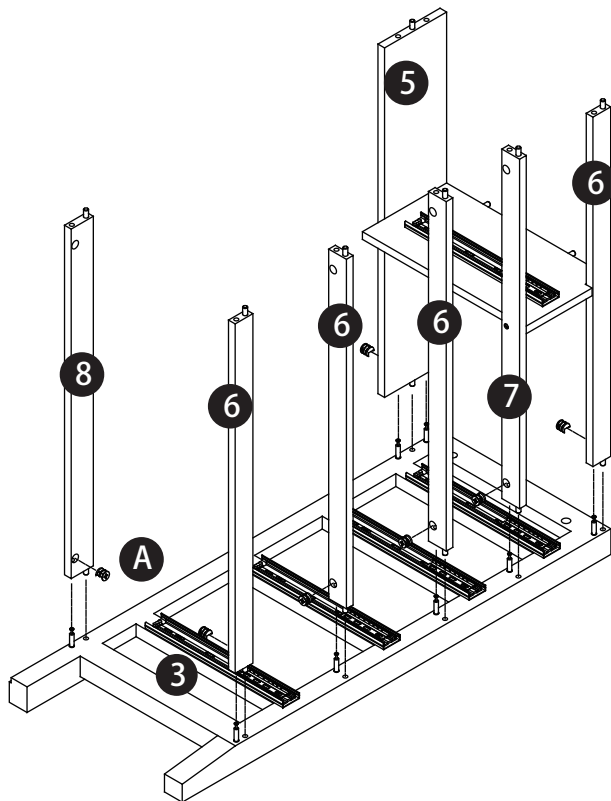
4



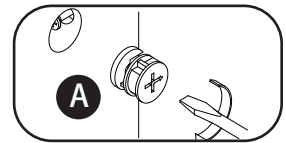
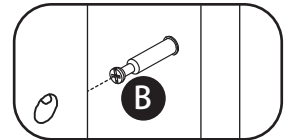
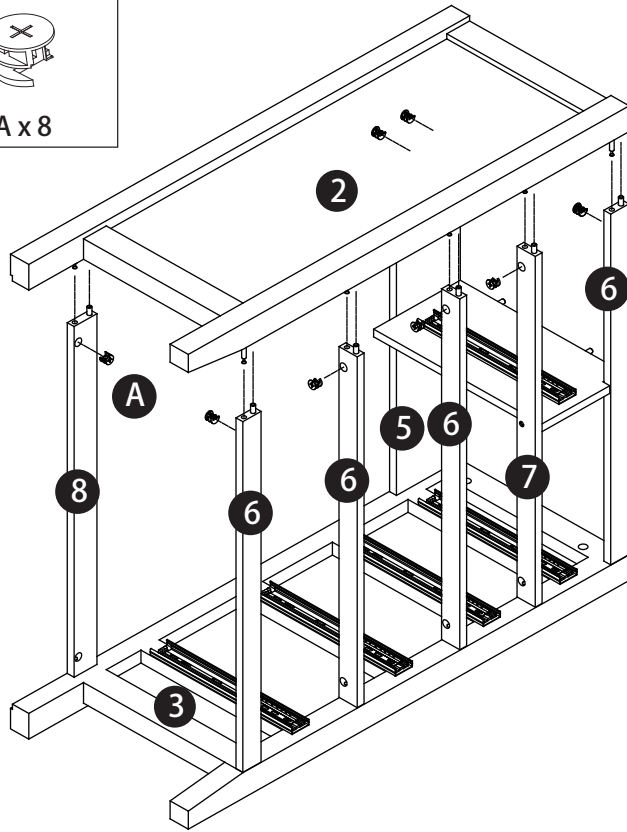
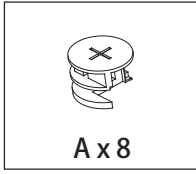
5



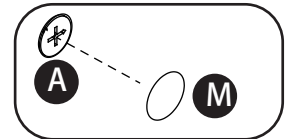
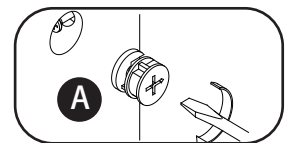
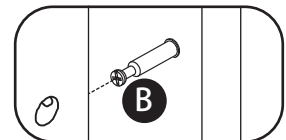
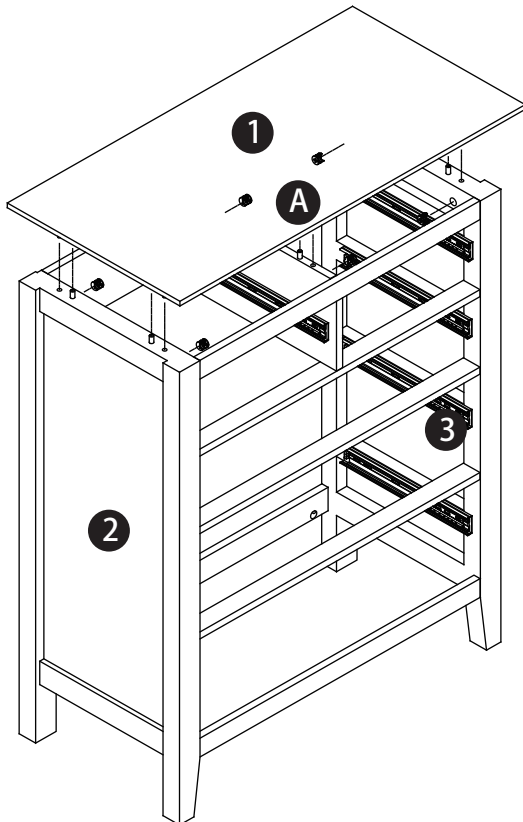
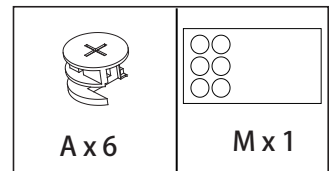
6



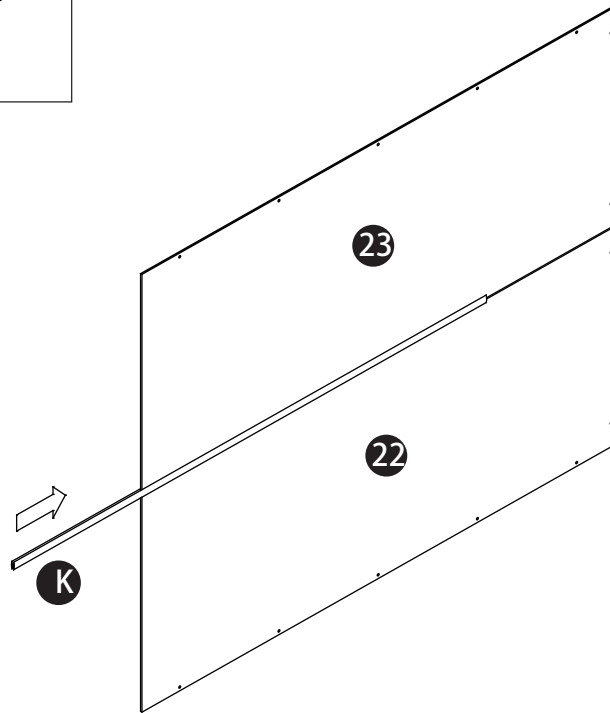
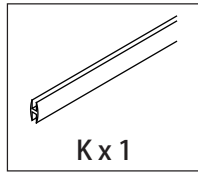
7



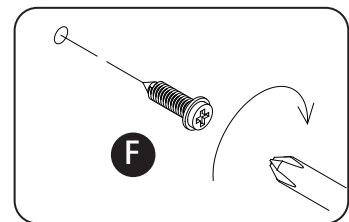
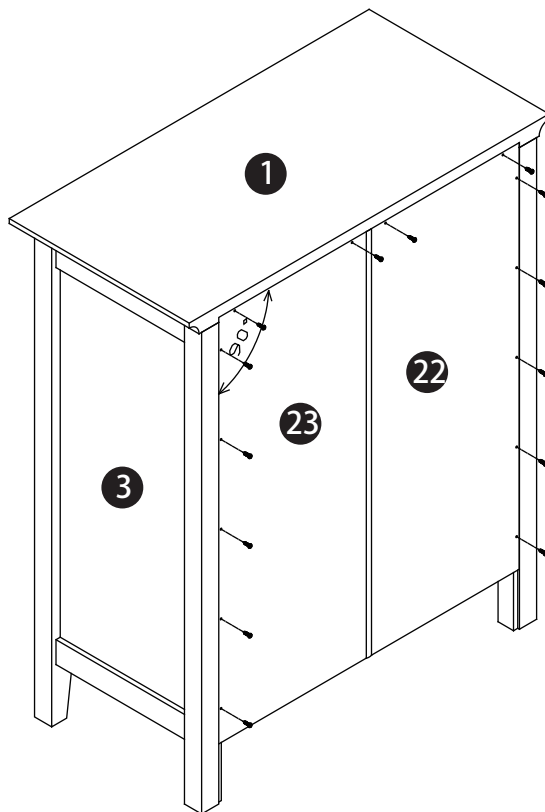
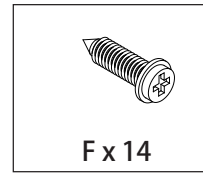
8



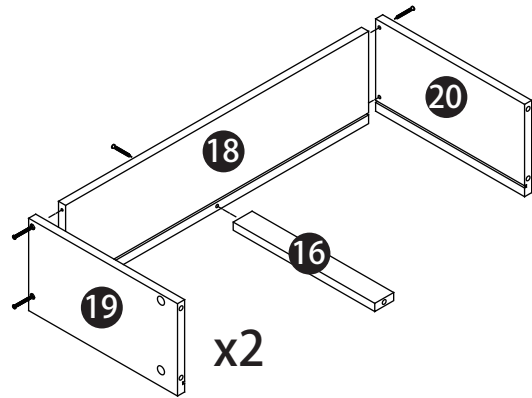
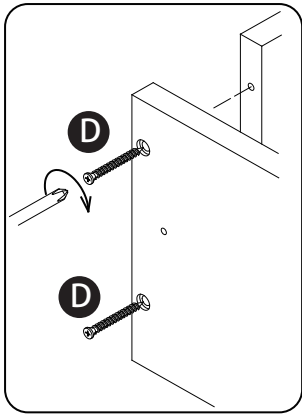
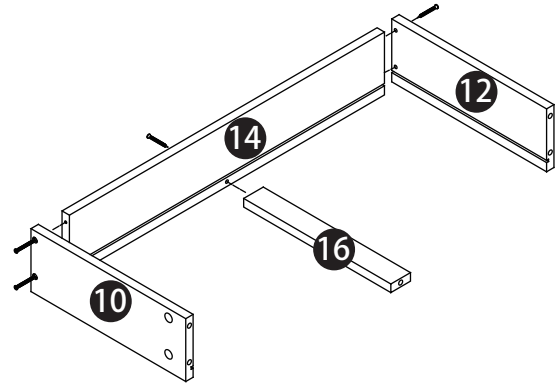
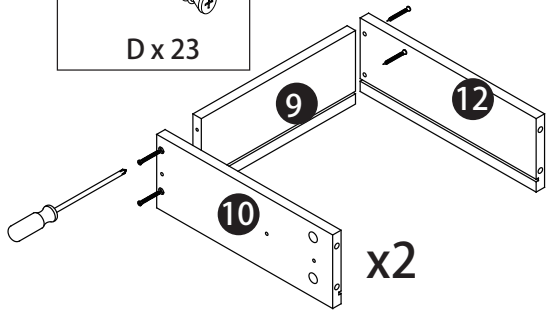
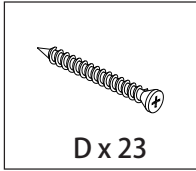
9



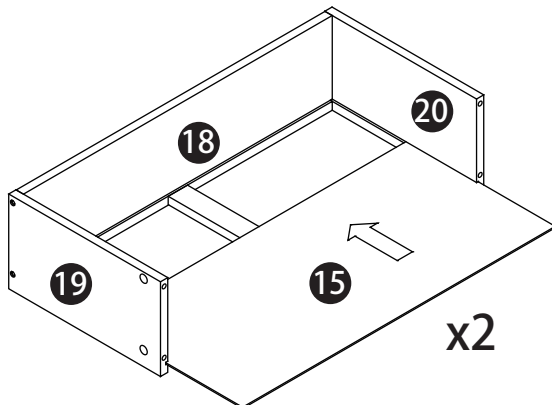
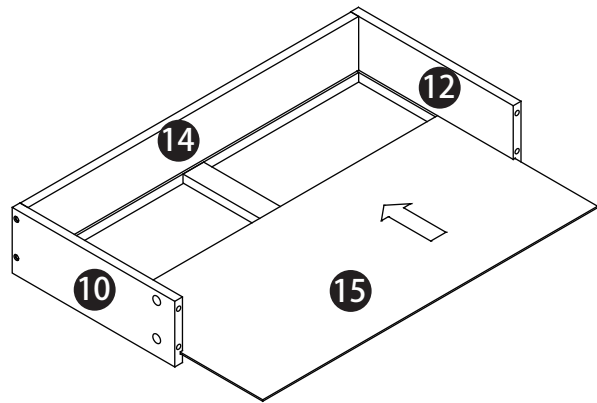
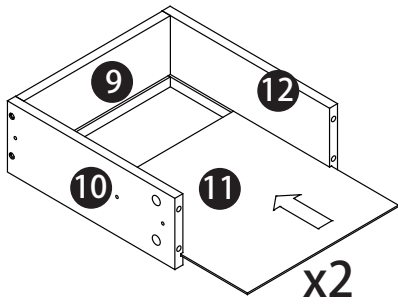
10




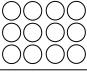
11

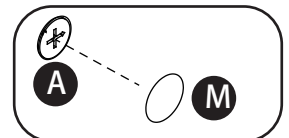
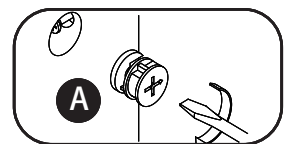
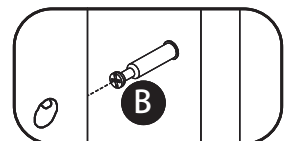
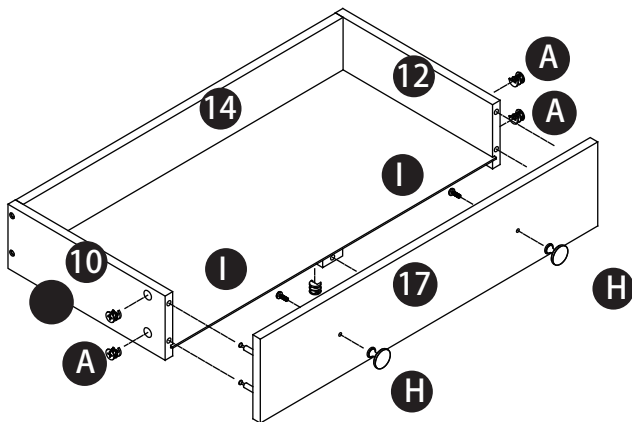
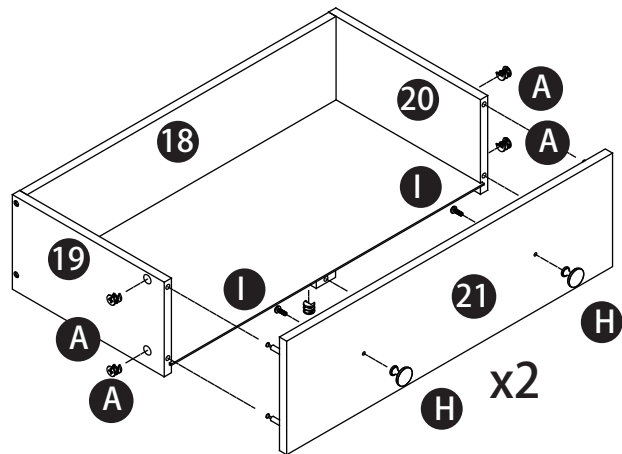
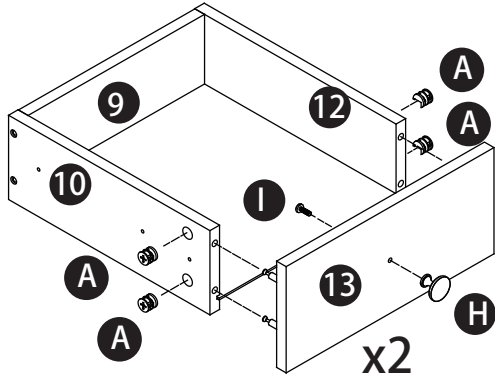


12



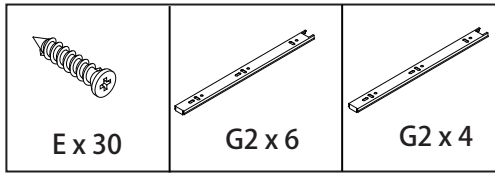
13

 A x 23	 K x 1
---	--

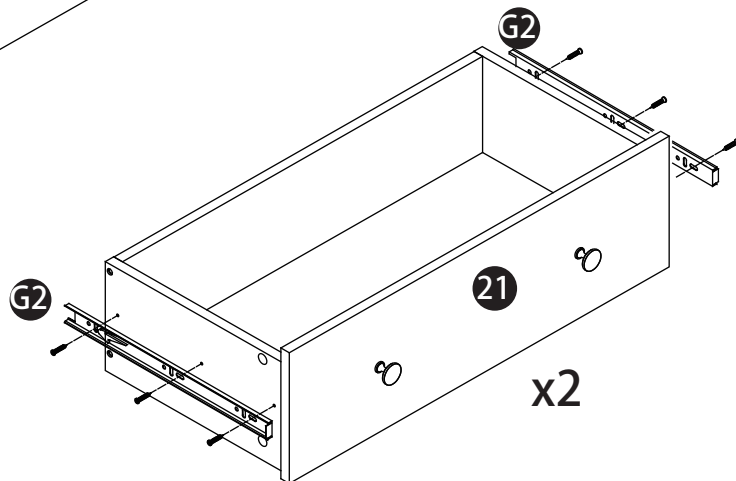
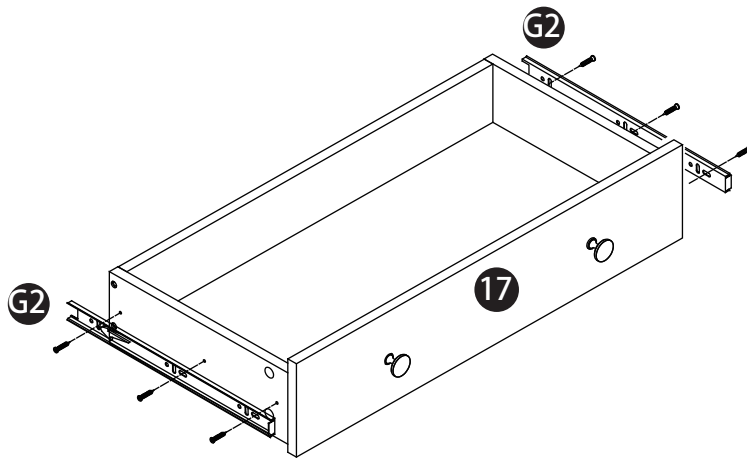
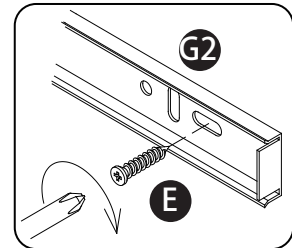
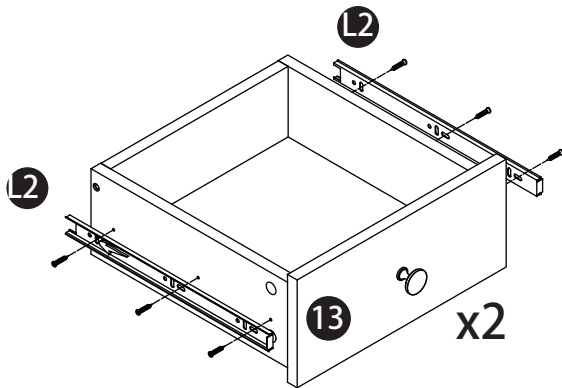
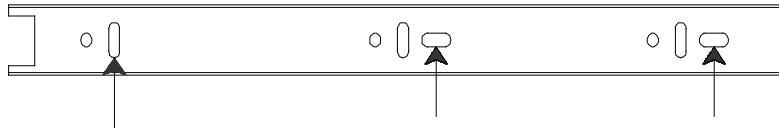




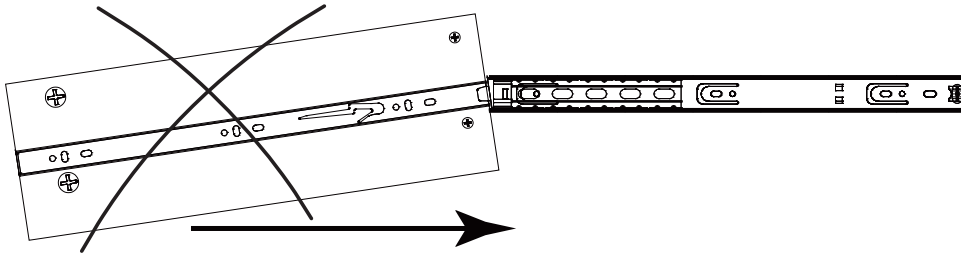
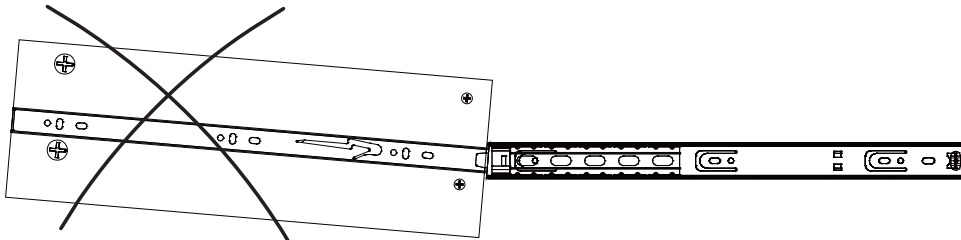
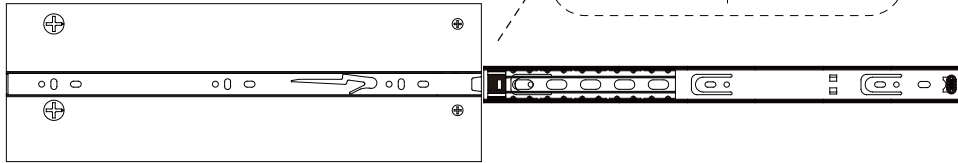
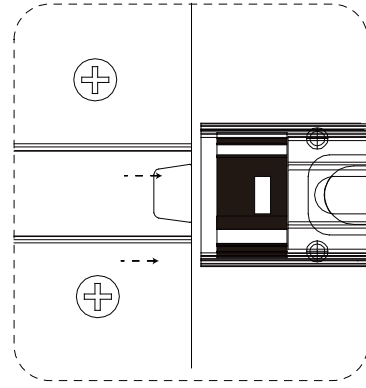
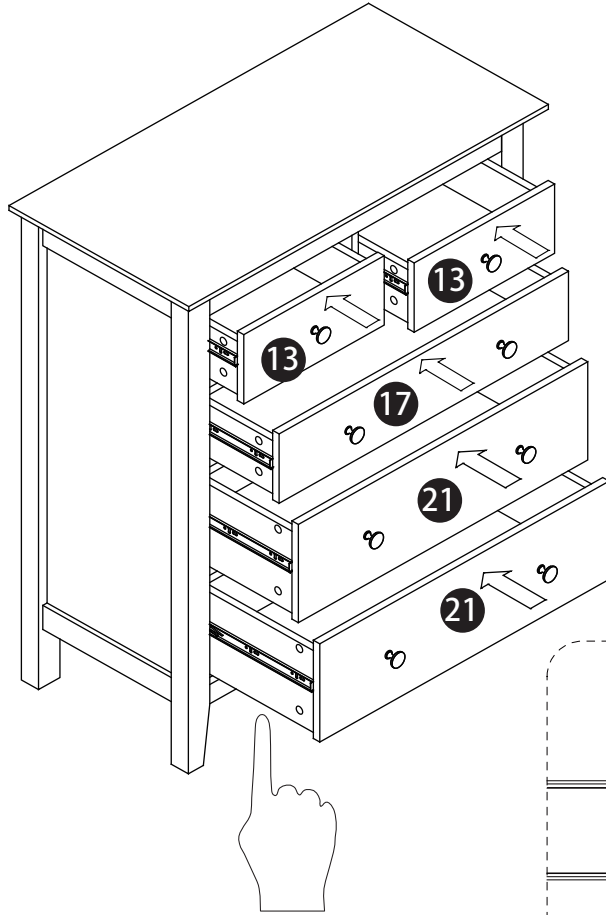
14



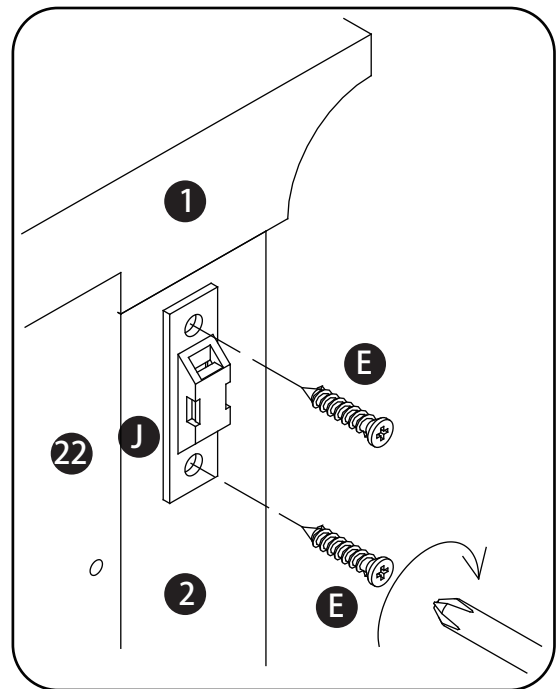
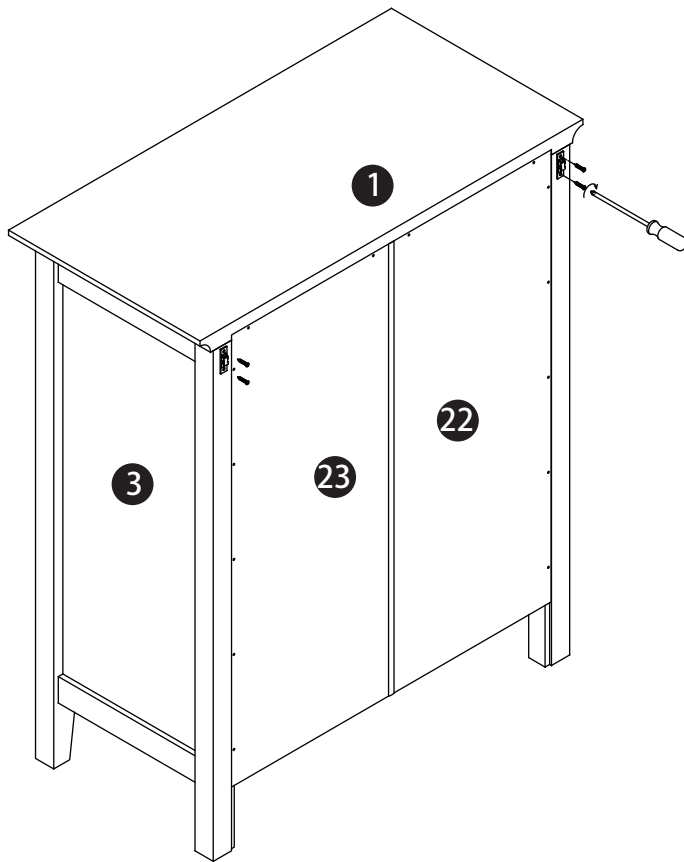
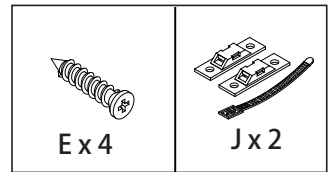
G2 / L2



15

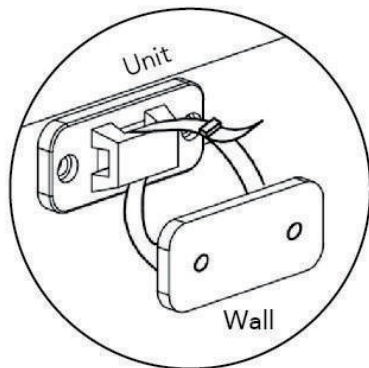


16



## Wall Fixings

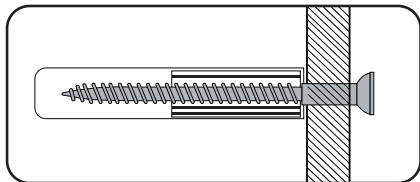
### Plastic Cable Tie



- Please ensure that the plastic bracket is screwed into the wall as the image shows.
  - Wall screws and plugs are not provided however please use our guide to help you choose the correct screw/plug type for your wall.
  - When drilling the walls, always ensure there are no hidden wires or pipes.
  - Further details of wall attachment methods may be in assembly instructions if provided with model of furniture.
- 
- This wall fixing is provided for your safety and we recommend that once in position the unit is secured to the wall for extra stability.
  - Wall fixings may vary depending on item of furniture purchased.
  - Wall fittings are not provided as different wall types require different raw plugs and screws.
  - Please ensure that you use fittings that are suitable for your wall type (see next page for a general guide).
  - Please ensure that the head of the screws used has a diameter greater than the diameter of the hole on the wall fixing and that the fixing is safe and secure before using.
  - When drilling into the walls, always ensure there are no hidden wires or pipes.
  - If you are unsure, we recommend you consult a qualified Trades person.

# Wall Fixings

Follow this step-by-step guide



## IMPORTANT:

When drilling into walls always check there are no hidden wires or pipes etc. Make sure that the screws and wall plugs being used are suitable for supporting your unit. Consult a qualified tradesperson if you are unsure.

## HINTS

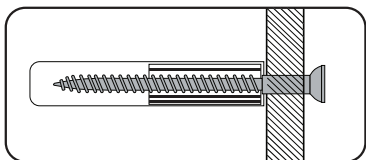
1. General Rule; Always use a larger screw and wall plug if you are not sure.
2. Ensure you use the recommended drill bit to match the wall plug and hole size.
3. Ensure you drill the hole horizontally, do not force the drill or enlarge the hole.
4. Take extra care when drilling high walls, ceilings and ceramic tiles. Ensure the plug is fitting below the ceramic tile to avoid splitting or cracking.
5. Ensure wall plugs are well fitted and are a tight fit in the drilled hole.

### Types of Walls

You can use one of the following types of wall plug if your walls are made of brick, breeze block, concrete, stone, wood or plastic board.

#### 1. STANDARD Wall Plug

General wall materials

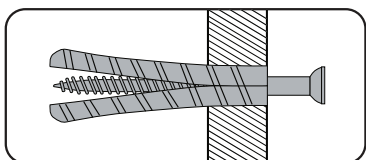


These come in various sizes and are made from plastic or sometimes wood fibre.

#### 2. GENERAL PURPOSE

Wall Plug

Aerated/Breeze block

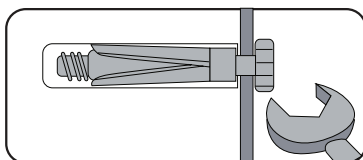


Generally aerated blocks should not be used to support heavy loads, use a specialist fitting in this case. For light loads, a General Purpose Plug can be used.

#### 3. SHIELD ANCHOR

Wall Plug

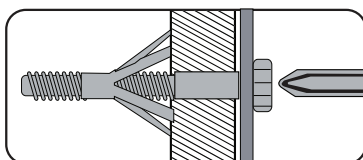
Heavy loads



For use with heavier loads such as TV & Hi-fi Speakers and Satellite Dishes etc.

#### 4. CAVITY FIXING

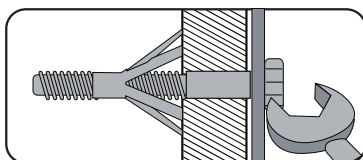
Wall Plug



For use with plaster board partitions or hollow wooden doors.

#### 5. CAVITY FIXING HEAVY

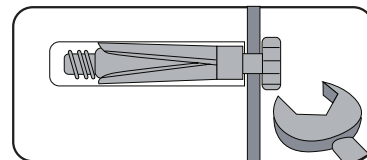
DUTY Wall Plug



For use with plaster board partitions or hollow wooden doors.

#### 6. HAMMER FIXING

Wall Plug



For use with walls stuck with plaster board. The hammer fixing allows it to be fixed to the wall rather than the plaster board. Always check the fixing is secure to the retaining wall.

## CARE & MAINTENANCE

### ⚠ Safety

Always check the fitting and location to ensure your safety in and around the home.

### ⚠ Fitting

From time to time check the fitting to ensure the wall plugs or screws do not become loose.

## Care and maintenance

### Wood

Only clean using a damp cloth and mild detergent, do not use bleach or abrasive cleaners.

From time to time check that there are no loose screws on this unit.

Wood is a natural product and each piece is individual. The colour will mellow over time and new items can vary in shade from items that you have already purchased. We also recommend that any ornaments, coasters and items placed on the product are periodically moved around to allow the colour to mellow evenly.

As a natural product, wood is affected by temperature and humidity. We recommend that you avoid placing the furniture directly in front of heat sources such as radiators or fires as this can cause cracking or warping over time. Always use mats and coasters to protect the surface when placing items on the furniture. This will help to protect the finish from heat, liquids or items that might scratch your furniture.

Remove any spills immediately to avoid staining. Dust regularly with a soft lint free cloth or duster.

The use of abrasive polish or silicon based polishes is not advised as these can affect the polished finish and joints over time. Always lift your furniture into place, avoid dragging it across the floor as this can cause damage to joints.

Finally, we hope you enjoy your furniture for many years to come and thanks again for your purchase.



[dunelm.com](https://www.dunelm.com)

