

PRODUCT DESCRIPTION

Length:45cm

Width :45cm

Height:45cm

DEAR CUSTOMER



Thank you for purchasing your new piece of furniture from Dunelm.

We put a lot of effort in the design and construction of our products to ensure they set the standard for quality, durability and ease of assembly.

If for any reason you feel we haven't lived up to the high standards we set ourselves, please don't hesitate in contacting us on 03451 656565 where our team will be very keen to understand what has gone wrong and, more importantly, put it right.

The Next Step...

There is no need to feel daunted by the number of parts and fittings in front of you, we have compiled this straight forward, step-by-step guide to make sure that assembling your furniture is as easy as 1, 2, 3.

Before you begin, we advise that you check that you have everything you need to get started.

TOP TIP

Find a space to spread everything out across the floor before you begin assembling the item. Lay each panel down on a clean and level area, ideally in the room of intended use, ensuring there is enough room to manoeuvre around the item. It is recommended that two people assemble this product together.

The full list of furniture parts, fixtures and fittings, as well as the tools you will need for assembly can be found on page 2 and 3 of this manual.

TOP TIP

Identify all of the fittings, make sure that you have them all prepared and familiarise yourself with each component, to make things easier when you are putting it all together.

Safety and Care Advice

IMPORTANT - The first step you need to take is to ensure your safety!

Please take the time to read and understand these instructions before assembling your furniture.

Please keep these instructions for future reference.

Keep children and animals away from the assembly area.

This furniture contains small parts that could cause choking if swallowed.

Keep all plastic wrapping materials away from babies and children to avoid danger of suffocation.

Ensure that all packaging is disposed of carefully and responsibly.

From time to time check that there are no loose fittings on the unit, re-tighten when necessary.

Two people may be required for the assembly of this product.

Once items are part or fully assembled they are not returnable unless faulty.

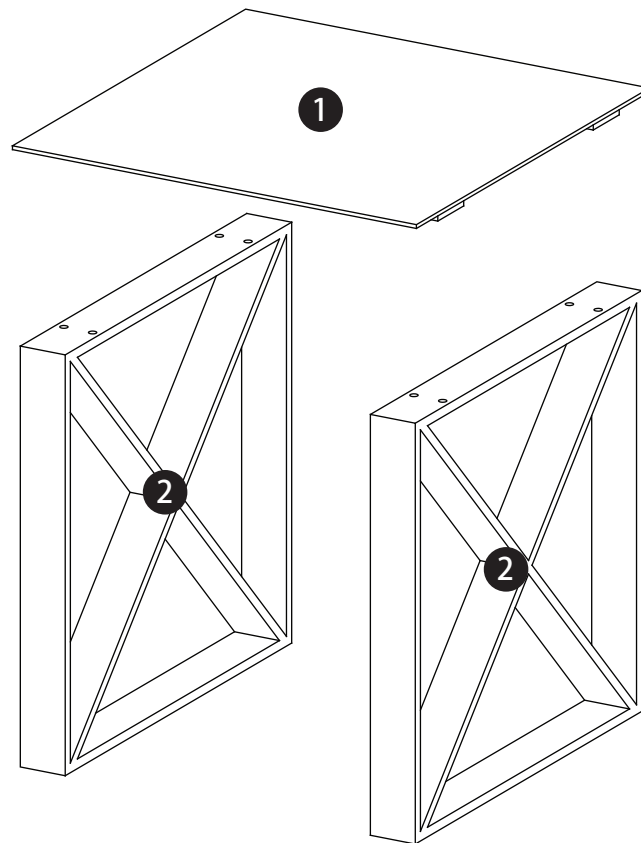
This item is not for outdoor use – unless stated otherwise.

Some items will be supplied with a wall fixing strap, which we recommend is used to secure the item to the wall, to prevent a child from accidentally pulling furniture over.

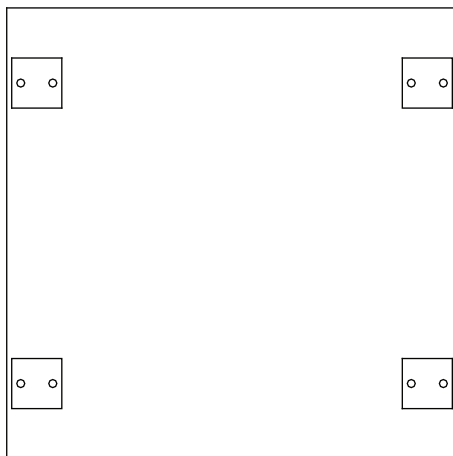
Furniture can be dangerous if incorrectly installed. Assembly should be carried out by a competent person. No liability will be accepted for damage or injury caused by incorrectly installed or assembled furniture.

Parts & Fittings for the Madison Side Table (30276379)

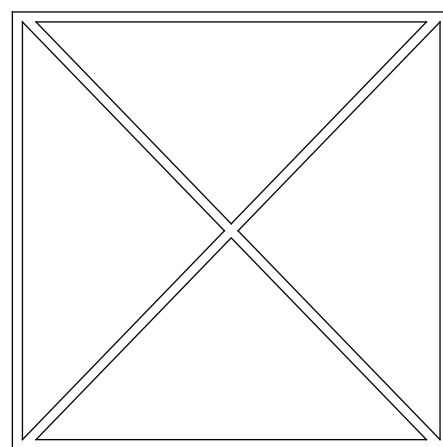
Panel - exploded view



Panels - plan view



1
Glass top
450 x 450 X 13mm



2
'X' metal frame x2
437 x 437 X 50mm

Parts & Fittings for the Madison Side Table (30276379)

Fittings



A
M6x19mm
Bolt x8

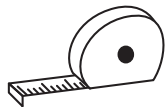


B
D14/6.2x1.0mm
Washer x 8



C
M5mm 24x67mm
Allen key x1

Tools Required



Tape measure

Before you start

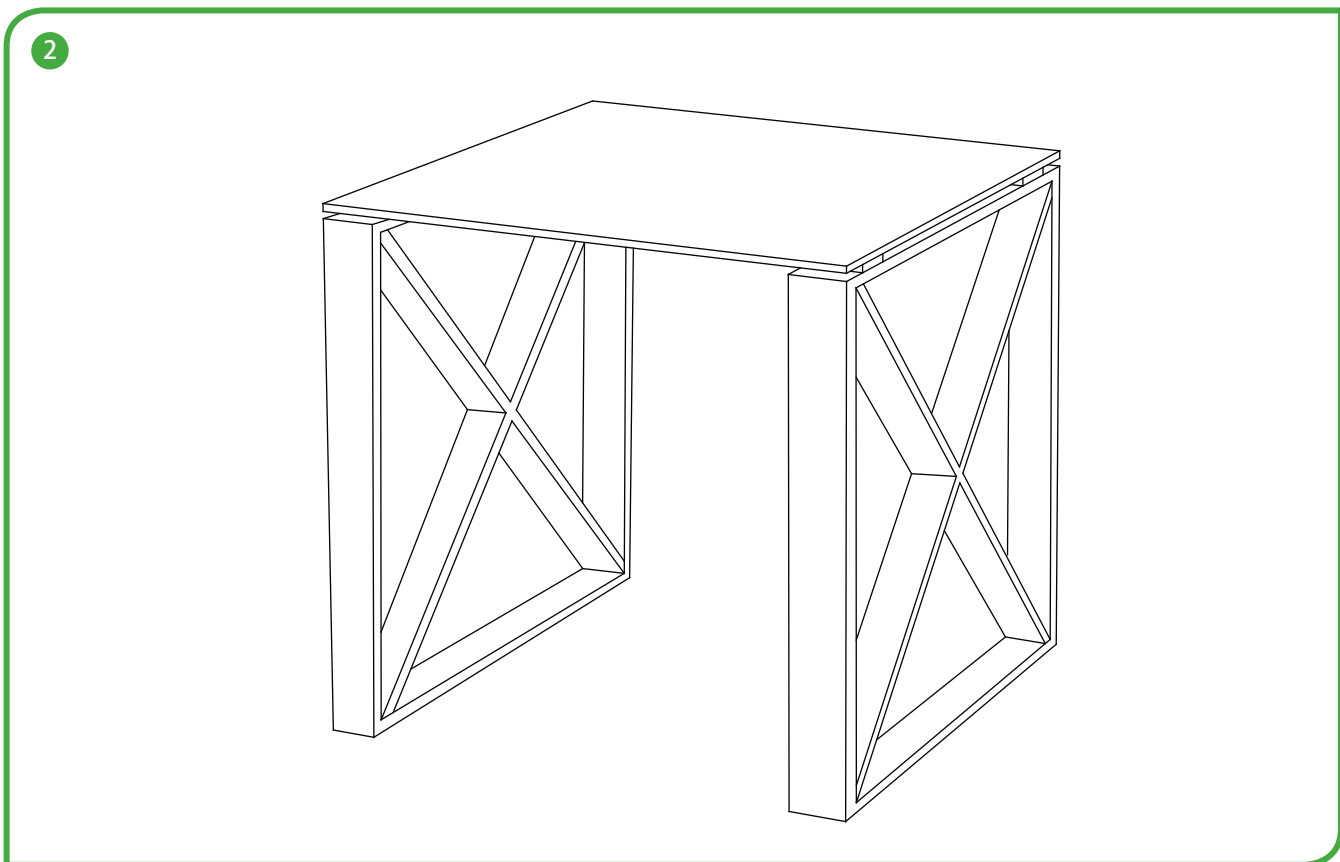
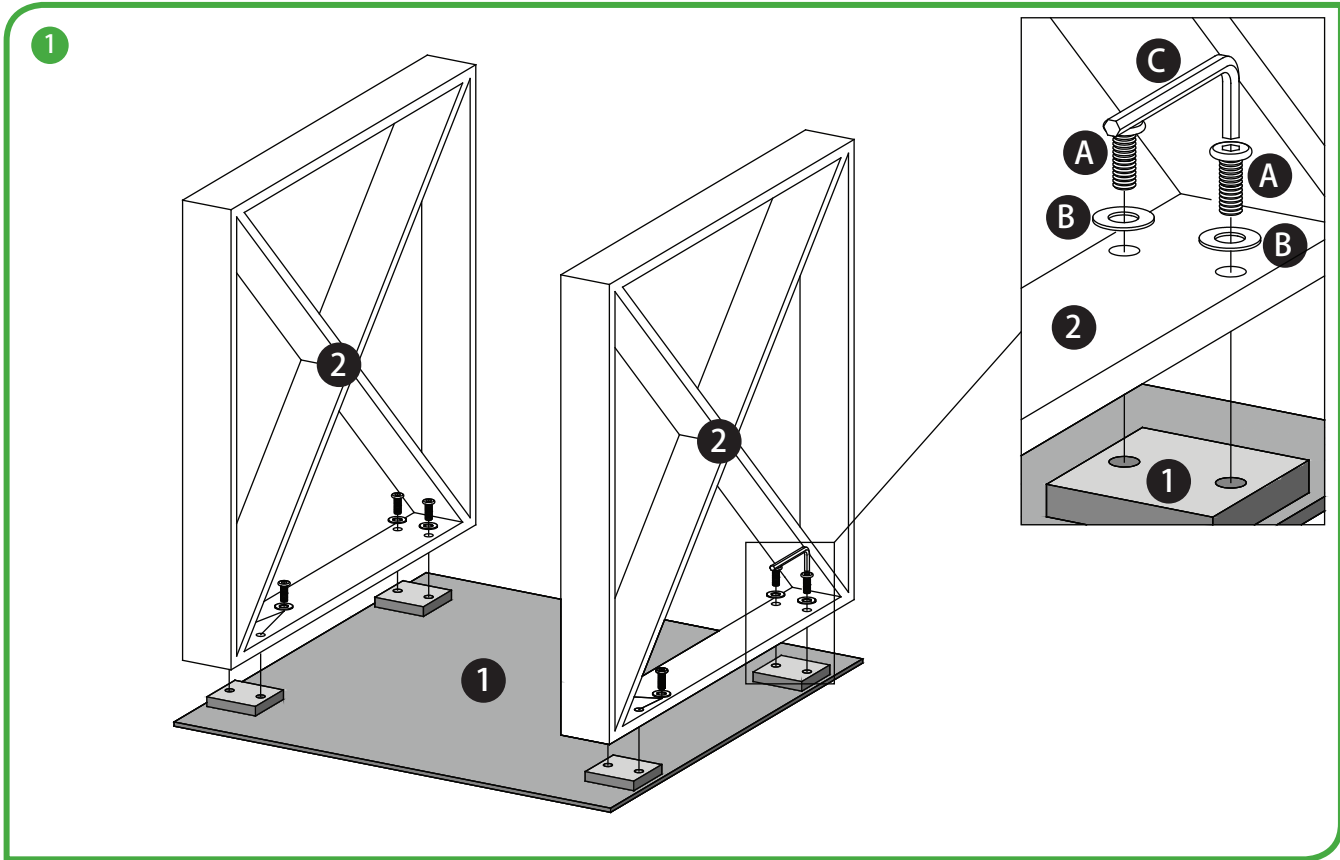
Check the pack and make sure you have all the parts listed above.
If not, contact the helpline on 03451 656565 who will be able to help you.

When you are ready and sure that you have the right tools to hand, you will need plenty of space and a clean dry area for assembly.

Ready?

Follow this step-by-step guide

People Required



Glass Care

- Do not use glass as a chopping board.
- Do not use very hot or very cold items on the glass unless adequate table mats are used to prevent such items coming into direct contact with the furniture.
- Do not strike the glass with hard or pointed items.
- Do not use abrasive cleaners on the glass as these may scratch and damage the glass.
- To clean your item, please use a soft cloth slightly dampened with water and wipe clean.

Then buff with a dry clean cloth. Use washing up liquid if necessary.

If the glass is chipped or broken, stop using the product and consult Dunelm.

Finally, we hope you enjoy your furniture for many years to come and thanks again for your purchase.



[dunelm.com](https://www.dunelm.com)

