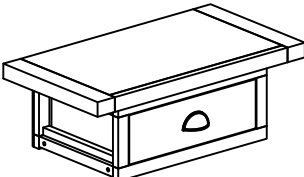
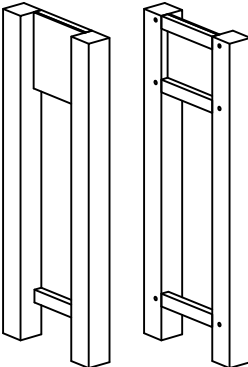








ASSEMBLY INSTRUCTION TELEPHONE TABLE

No	Name of Component	Q.ty
(A)		1
(B)		2

(C)		1
-----	---	---

No	Name of Hardware	Q.ty
(1)	Bolt M6x35 	8
(2)	Bolt M6x60 	4
(3)	Washer Ø7 / Ø15 x 1 	12
(4)	Allen key (K4) 	1
(5)	Bracket 	1
(6)	Tie 	1

