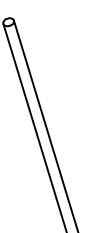
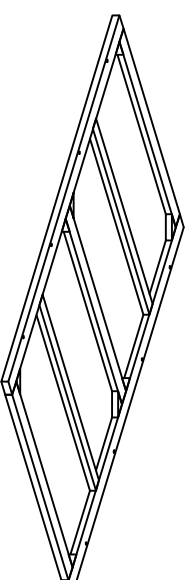
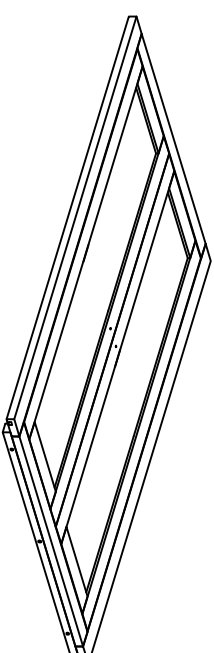
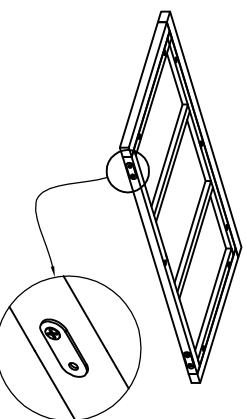
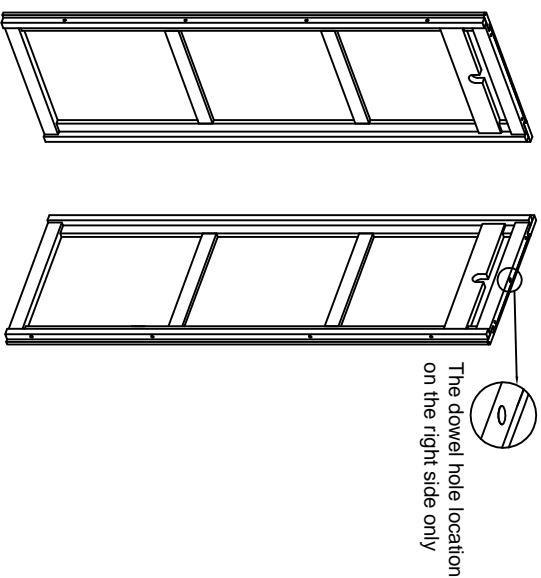
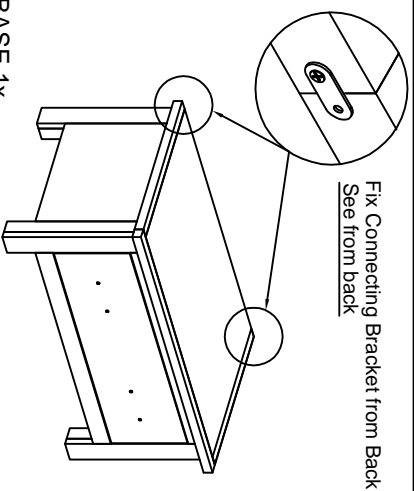
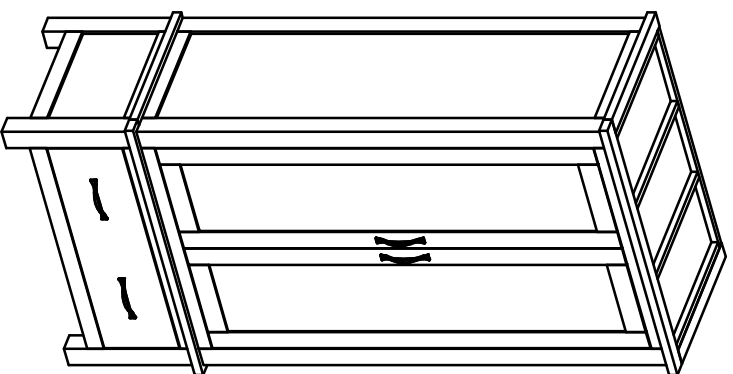
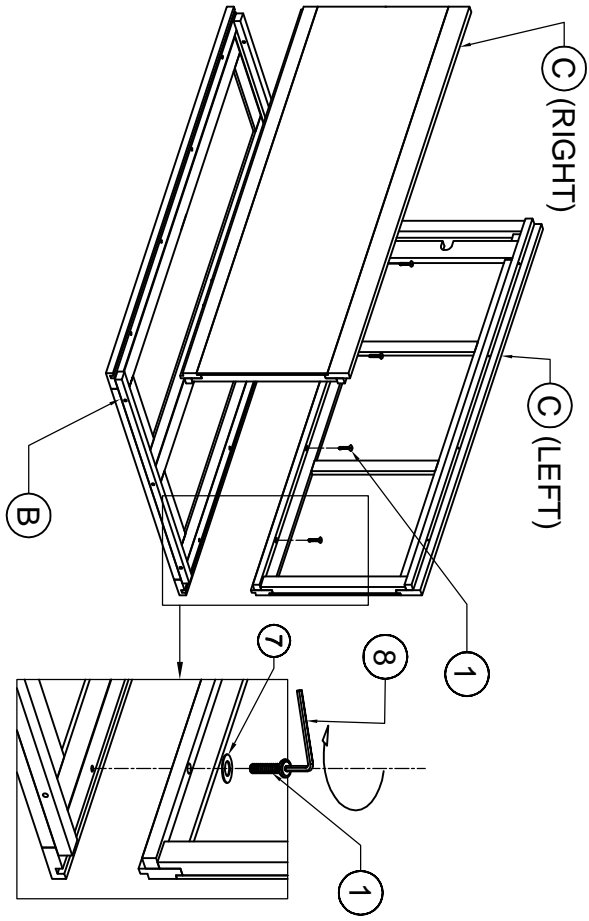


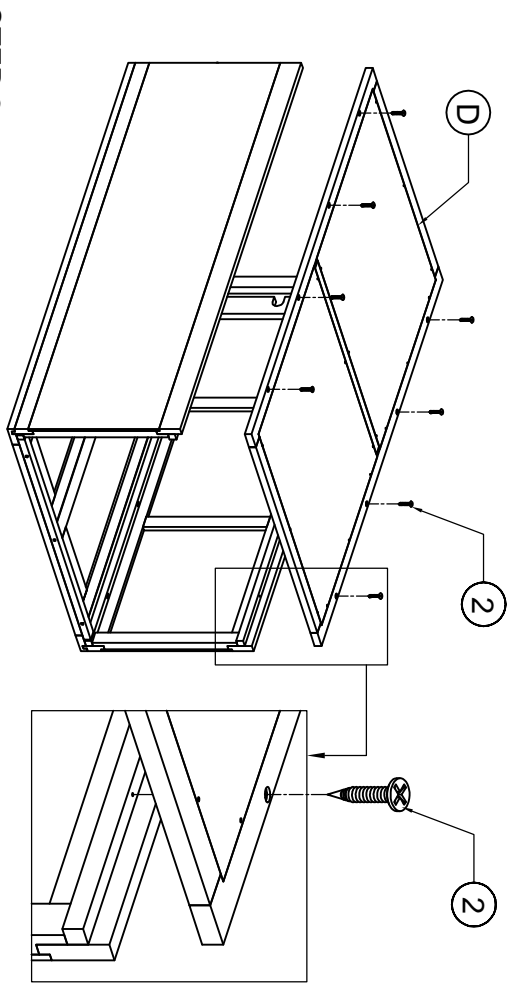
## ASSEMBLY INSTRUCTION GENTS WARDROBE

№LIST OF HARDWARE	FIG	Q.TY(PCS)
① Bolt M6x35		8
② Screw M5x30		16
③ Screw M4x20		6
④ Screw M4x45		3
⑤ Wooden Dowel Ø8X30		1
⑥ Handle with bolt		4 (Sets)
⑦ Washer		8
⑧ Allen key		1
⑨ Bracket		2
⑩ Tie		1
⑪ Screw M4 x 35		2

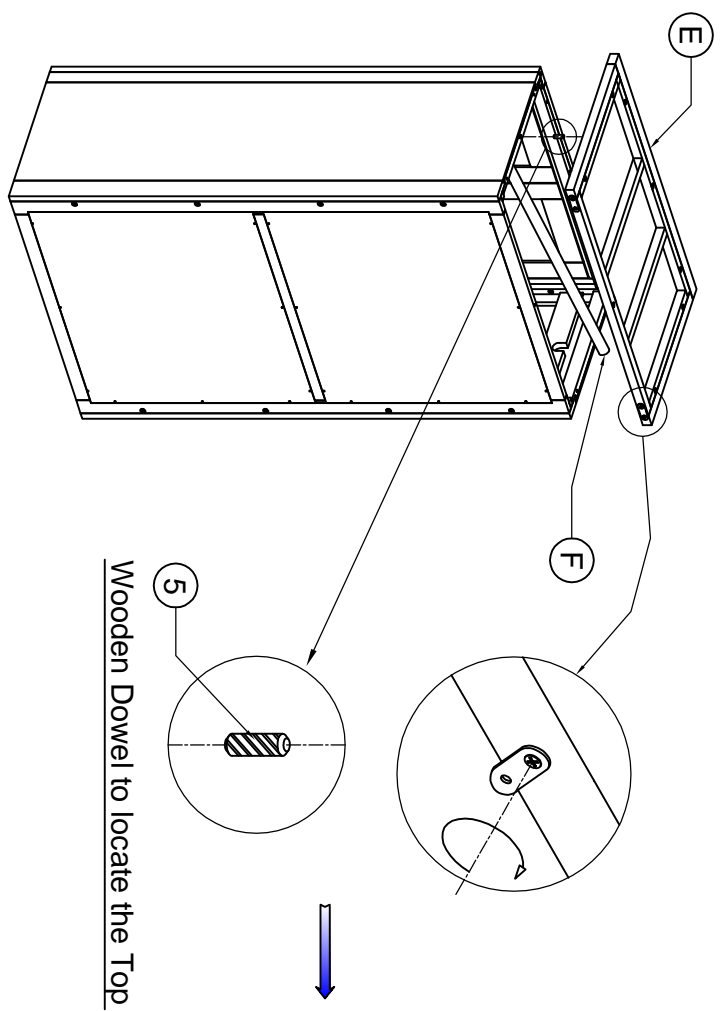




**STEP 1**

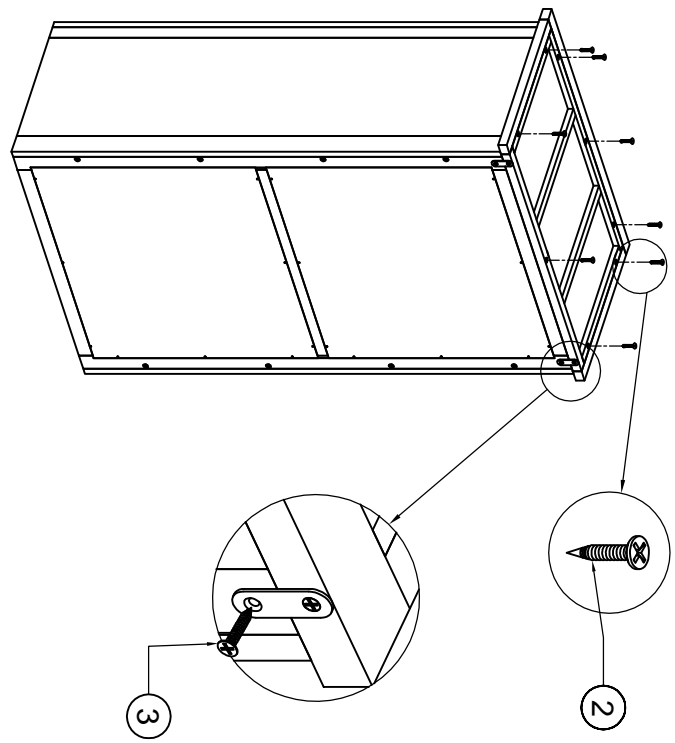


**STEP 2**

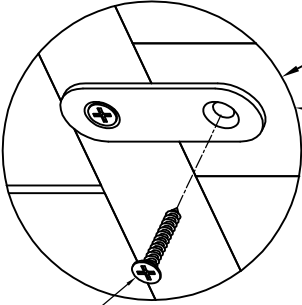
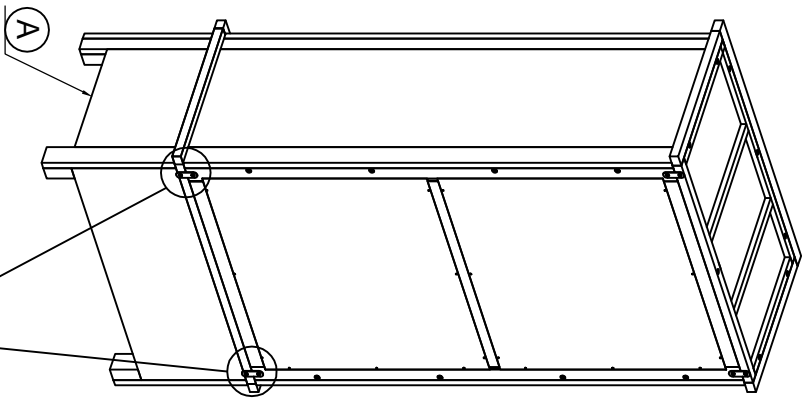


Wooden Dowel to locate the Top

**STEP 3**

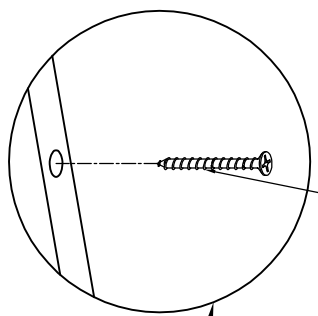
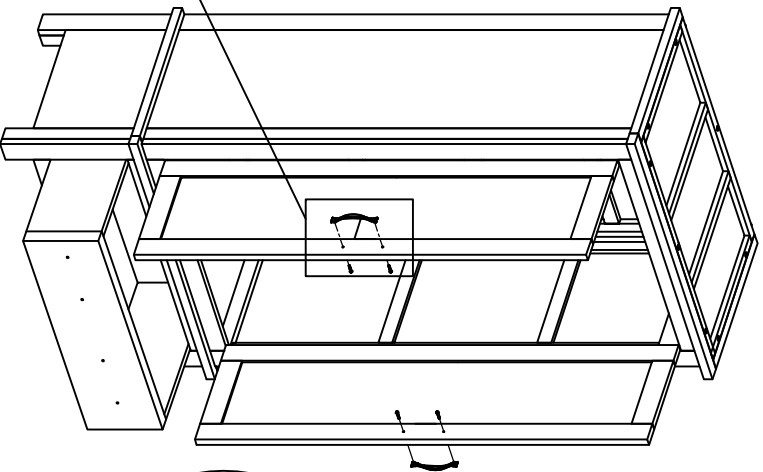
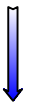
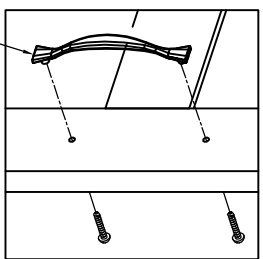


STEP 4

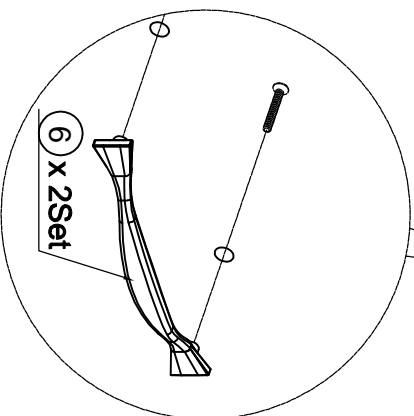
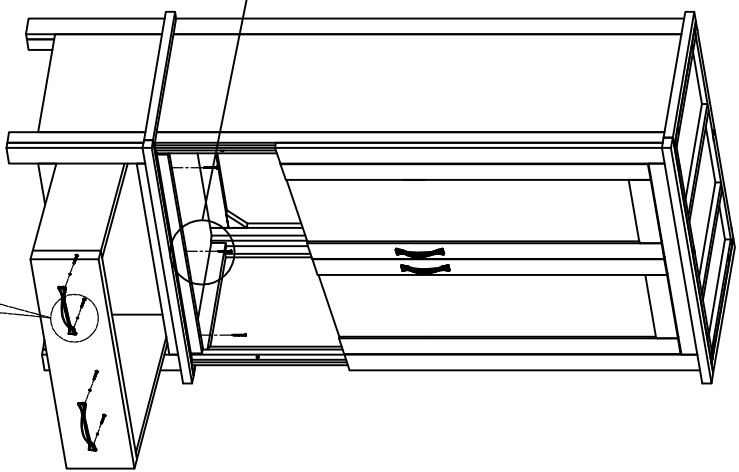
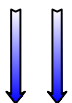


3 x 2Pcs

6 x 2Set

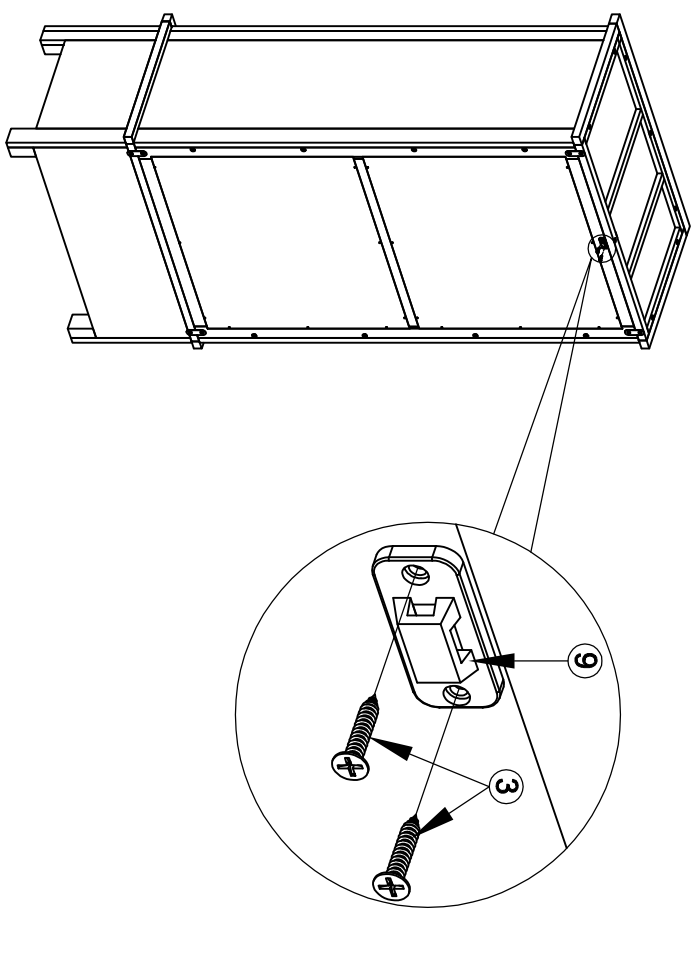


4 x 3Pcs

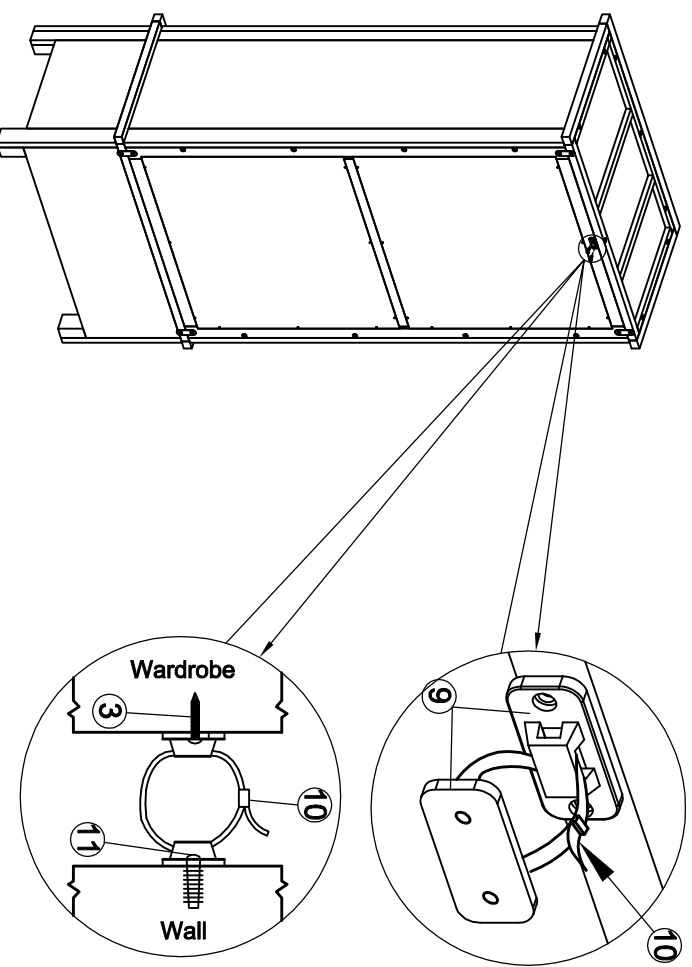


6 x 2Set

STEP 5



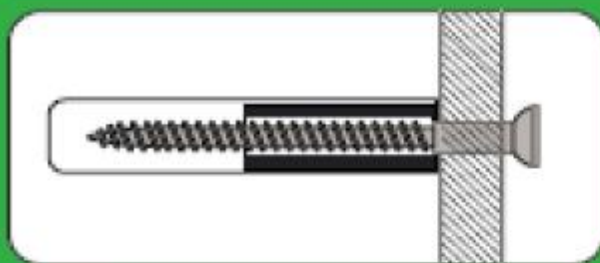
FINAL





# An Expert guide to Wall Mounting & Fixings


**Dunelm**  
mill  
*Simply value for money*



## IMPORTANT:

When drilling into walls always check there are no hidden wires or pipes etc. Make sure that the screws and wall plugs being used are suitable for supporting your unit. Consult a qualified tradesperson if you are unsure.

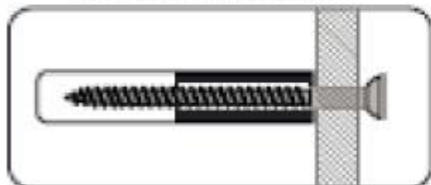
## HINTS:

- 1) General Rule  Always use a larger screw and wall plug if you are not sure.
- 2) Ensure you use the recommended drill bit to match the wall plug and hole size.
- 3) Ensure you drill the hole horizontally, do not force the drill or enlarge the hole.
- 4) Take extra care when drilling high walls, ceilings and ceramic tiles. Ensure the plug is fitting below the ceramic tile to avoid splitting or cracking.
- 5) Ensure wall plugs are well fitted and are a tight fit in the drilled hole.

## Types Of Walls

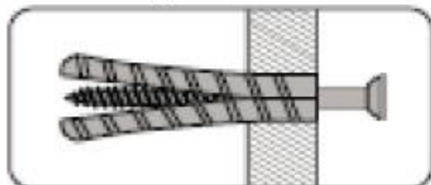
You can use one of the following types of wall plug if your walls are made of brick, breeze block, concrete, stone, wood or plastic board.

### No.1 "Standard" Wall Plug General Wall Materials



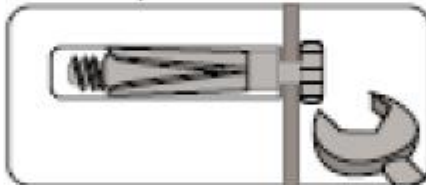
These come in various sizes and are made from plastic or sometimes wood fiber.

### No.2 "General Purpose" Wall Plug Aerated/Breeze Block



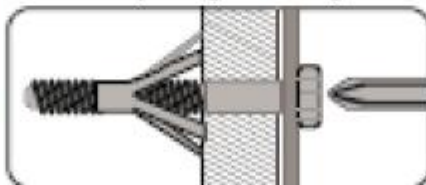
Generally aerated blocks should not be used to support heavy loads, use a specialist fitting in this case. For light loads, a General Purpose Plug can be used.

### No.3 "Shield Anchor" Wall Plug Heavy Loads



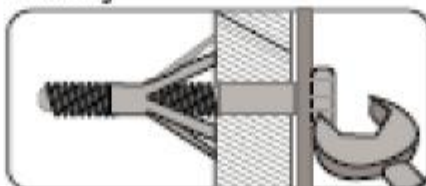
For use with heavier loads such as TV & HIFI Speakers and Satellite Dishes etc.

### No.4 "Cavity Fixing" Wall Plug



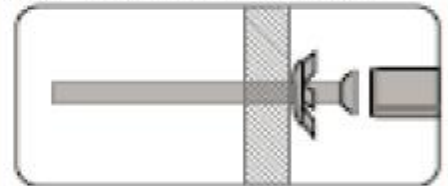
For use with plaster board partitions or hollow wooden doors.

### No.5 "Cavity Fixing - Heavy Duty" Wall Plug



For use when fitting or supporting heavy loads such as shelving, wall cabinets and coat racks.

### No.6 "Hammer Fixing" Wall Plug



For use with walls stuck with plaster board. The hammer fixing allows it to be fixed to the wall rather than the plaster board. Always check the fixing is secure to the retaining wall.

## CARE & MAINTENANCE

### SAFETY

Always check the fitting and location to ensure your safety in and around the home.

### FITTING

From time to time check the fitting to ensure the wall plugs or screws do not become loose.