

Toulouse Bunk Bed

Off white

L202 x W99.5 x H178 cm

IMPORTANT – READ CAREFULLY – RETAIN FOR FUTURE REFERENCE

The bunk bed meets the European EN747-2:2012+A1:2015 standard for safety and durability.

WARNING “High beds and the upper bed of bunk beds are not suitable for children under six years due to the risk of injury from falls” .

WARNING “Bunk beds and high beds can present a serious risk of injury from strangulation if not use correctly. Never attach or hang items to any part of the bunk bed that are not designed to be used with the bed, for example, but not limited to ropes, strings, cords, hooks, belts and bags” .

WARNING “Children can become trapped between the bed and the wall, a roof pitch, the ceiling, adjoining pieces of furniture (e.g. cupboards) and the like. To avoid risk of serious injury the distance between the top safety barrier and the adjoining structure shall not exceed 75mm or shall be more than 230mm.”

WARNING Do not use the bunk bed/high bed if any structural part is broken or missing.

WARNING Do not place this child’ s bed near heat sources, windows or other furniture.

This bed is design to use a mattress size 90x190cm. The total thickness must not exceed 15cm. The mattress top must not pass the marking on the post of the bed end.

This bed is not a toy or play area, a child’ s bed should not be placed too closed to other furniture or windows.

Ensure the room is well ventilated to prevent any build-up of moldand mildew around the bed.

DEAR CUSTOMER



Thank you for purchasing your new piece of furniture from Dunelm.

We put a lot of effort in the design and construction of our products to ensure they set the standard for quality, durability and ease of assembly.

If for any reason you feel we haven't lived up to the high standards we set ourselves, please don't hesitate in contacting us on 03451 656565 where our team will be very keen to understand what has gone wrong and, more importantly, put it right.

The Next Step...

There is no need to feel daunted by the number of parts and fittings in front of you, we have compiled this straight forward, step-by-step guide to make sure that assembling your furniture is as easy as 1, 2, 3.

Before you begin, we advise that you check that you have everything you need to get started.

TOP TIP

Find a space to spread everything out across the floor before you begin assembling the item. Lay each panel down on a clean and level area, ideally in the room of intended use, ensuring there is enough room to manoeuvre around the item. It is recommended that two people assemble this product together.

The full list of furniture parts, fixtures and fittings, as well as the tools you will need for assembly can be found on page 2, 3, 4 and 5 of this manual.

TOP TIP

Identify all of the fittings, make sure that you have them all prepared and familiarise yourself with each component, to make things easier when you are putting it all together.

Safety and Care Advice

IMPORTANT - The first step you need to take is to ensure your safety!

Please take the time to read and understand these instructions before assembling your furniture.

Please keep these instructions for future reference.

Keep children and animals away from the assembly area.

This furniture contains small parts that could cause choking if swallowed.

Keep all plastic wrapping materials away from babies and children to avoid danger of suffocation.

Ensure that all packaging is disposed of carefully and responsibly.

From time to time check that there are no loose fittings on the unit, re-tighten when necessary.

Two people may be required for the assembly of this product.

Once items are part or fully assembled they are not returnable unless faulty.

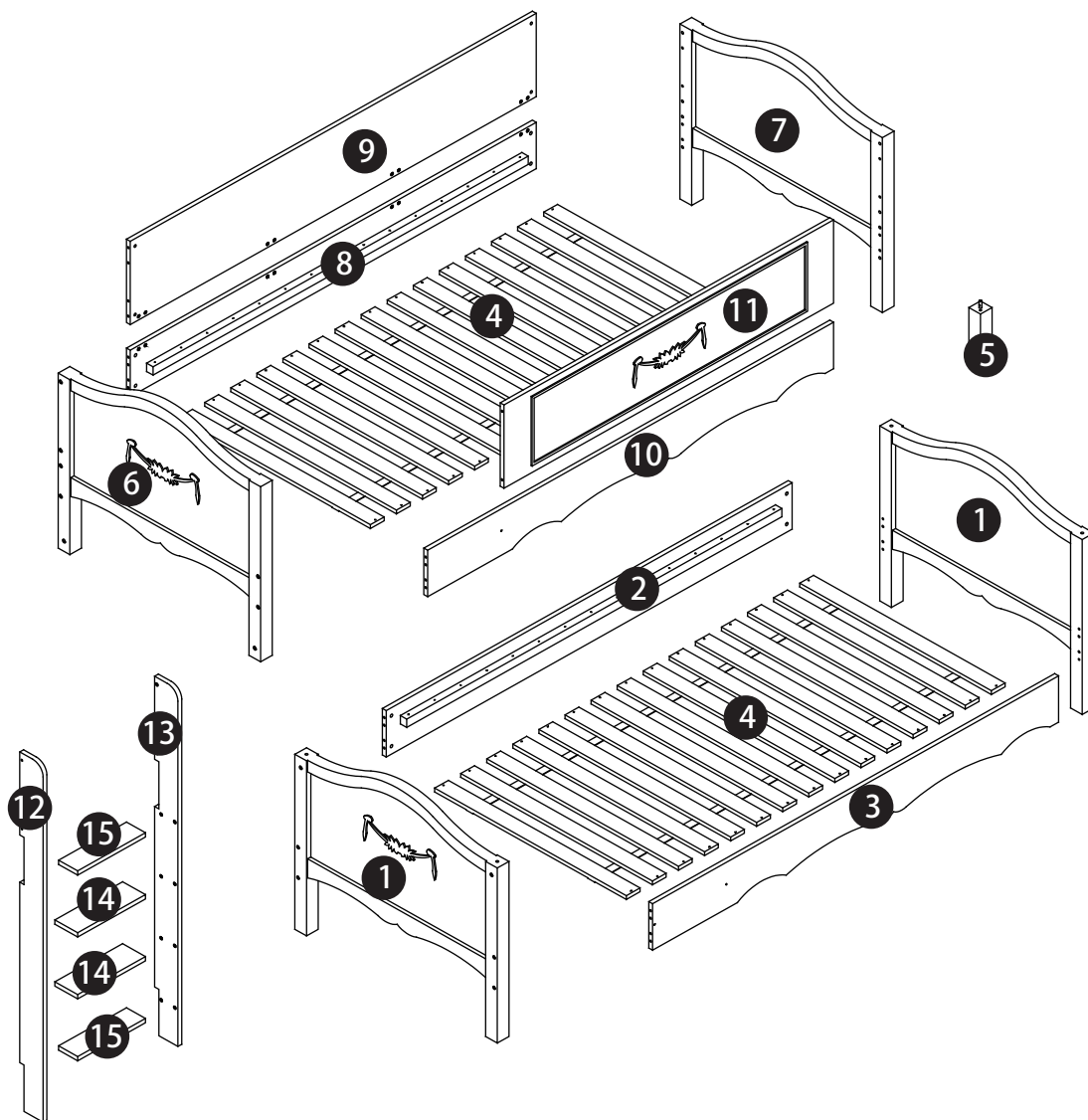
This item is not for outdoor use – unless stated otherwise.

Some items will be supplied with a wall fixing strap, which we recommend is used to secure the item to the wall, to prevent a child from accidentally pulling furniture over.

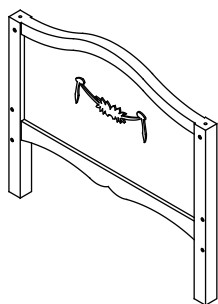
Furniture can be dangerous if incorrectly installed. Assembly should be carried out by a competent person. No liability will be accepted for damage or injury caused by incorrectly installed or assembled furniture.

Parts & fittings for the Toulouse Bunk Bed (30306356)

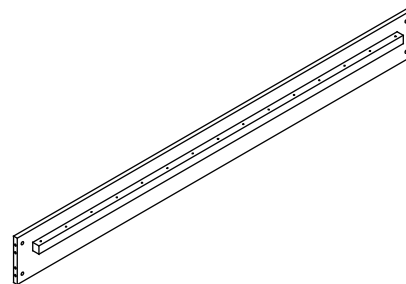
Panel - exploded view



Panels - plan view



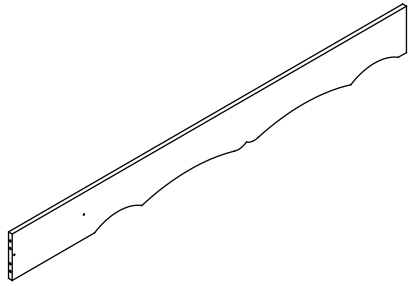
Bottom side panel x 2



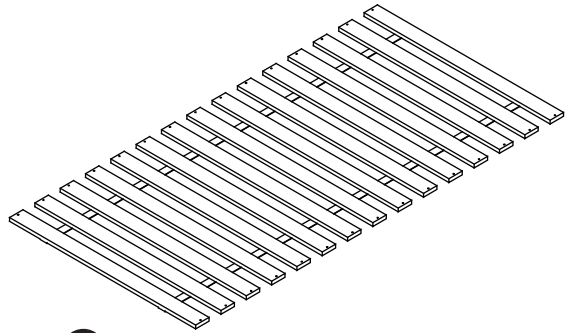
Bottom back rail

Parts & fittings for the Toulouse Bunk Bed (30306356)

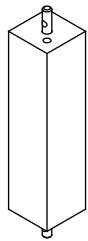
Panels - plan view



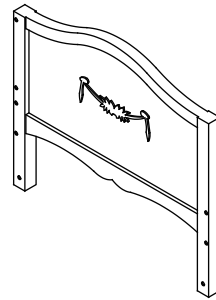
3
Bottom front rail



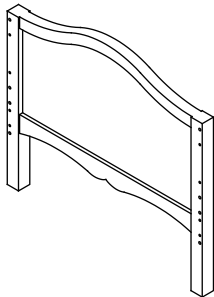
4
Slats x 2



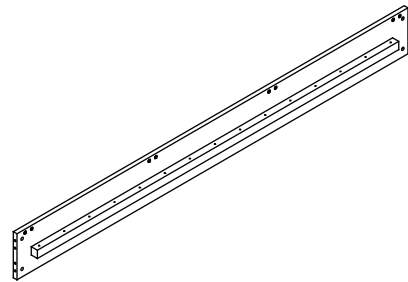
5
Connecting block x 4



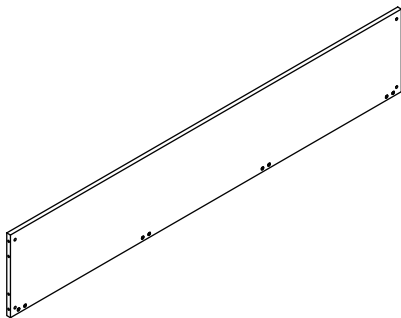
6
Top left side panel



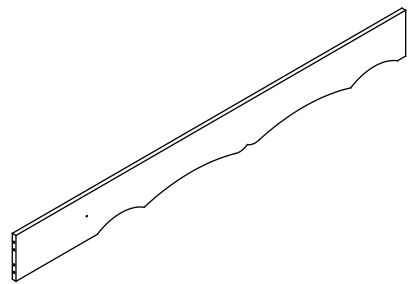
7
Top right side panel



8
Top back rail



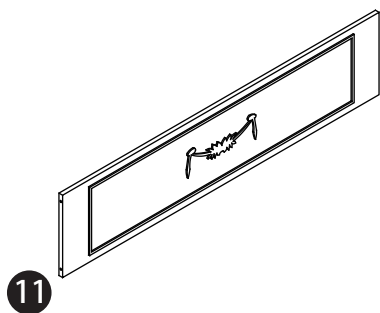
9
Top back safety barrier



10
Top front rail

Parts & fittings for the Toulouse Bunk Bed (30306356)

Panels - plan view



11

Top front safety barrier



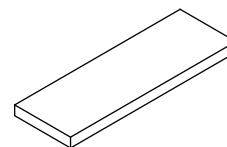
12

Stair railing (left)



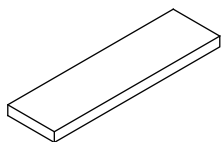
13

Stair railing (right)



14

Stair x 2



15

Stair x 2

Parts & fittings for the Toulouse Bunk Bed (30306356)

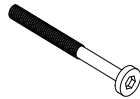
Fittings

A



50mm Wooden dowel x 22

B



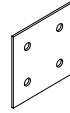
80mm Bolt x 22

C



Ø3.5x30mm Screw x 60

D



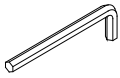
Square connecting sheet x 8

E



16mm Bolt x 64

F



Allen key x1

G



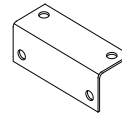
Ø5x40mm Screw x 3

H



35mm Bolt x 10

I



Metal bracket x 8

J



50mm Bolt x 2

K



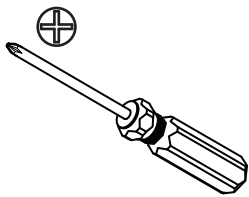
Ø8x30mm Wodden dowel x 8

L

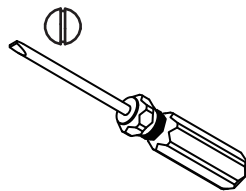


Metal nut x 24

Tools Required



Phillips screwdriver (medium)



Flatblade scresdriver(medium)

Before you start

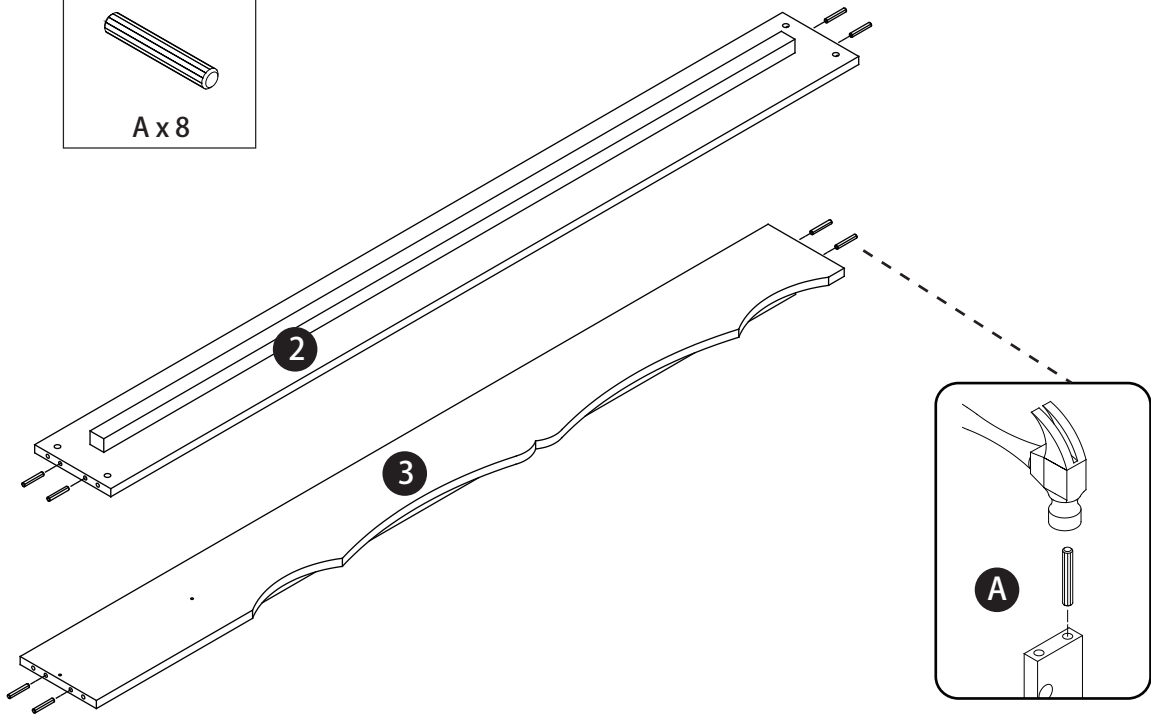
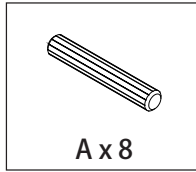
Check the pack and make sure you have all the parts listed above. If not, contact the helpline on 03451 656565 who will be able to help you.

When you are ready and sure that you have the right tools to hand, you will need plenty of space and a clean dry area for assembly.

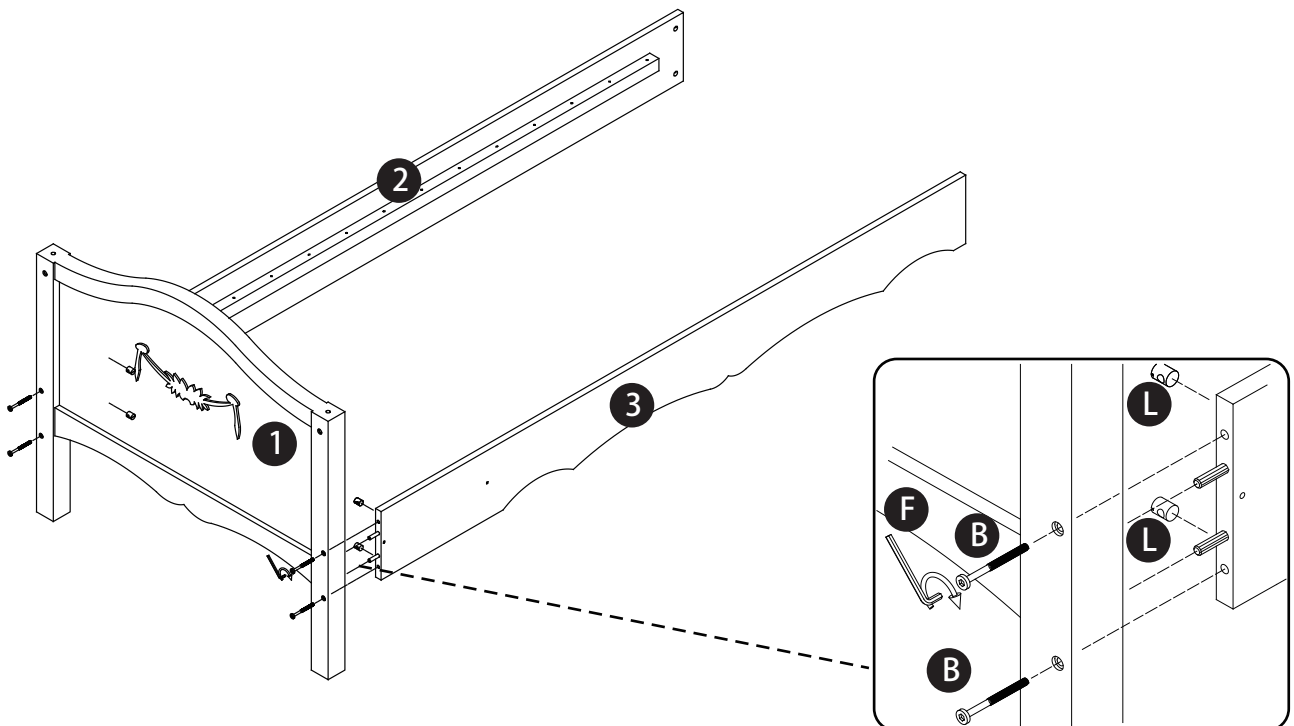
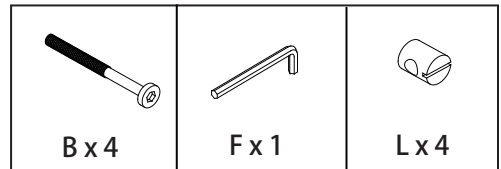
Ready?

Follow this step-by-step guide

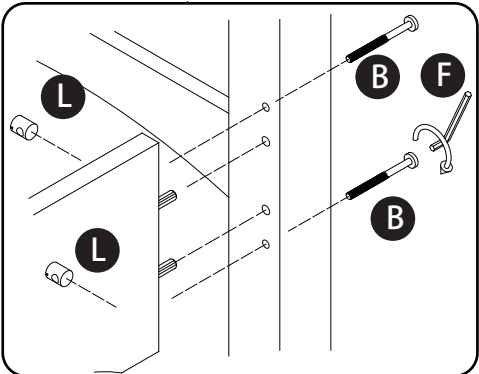
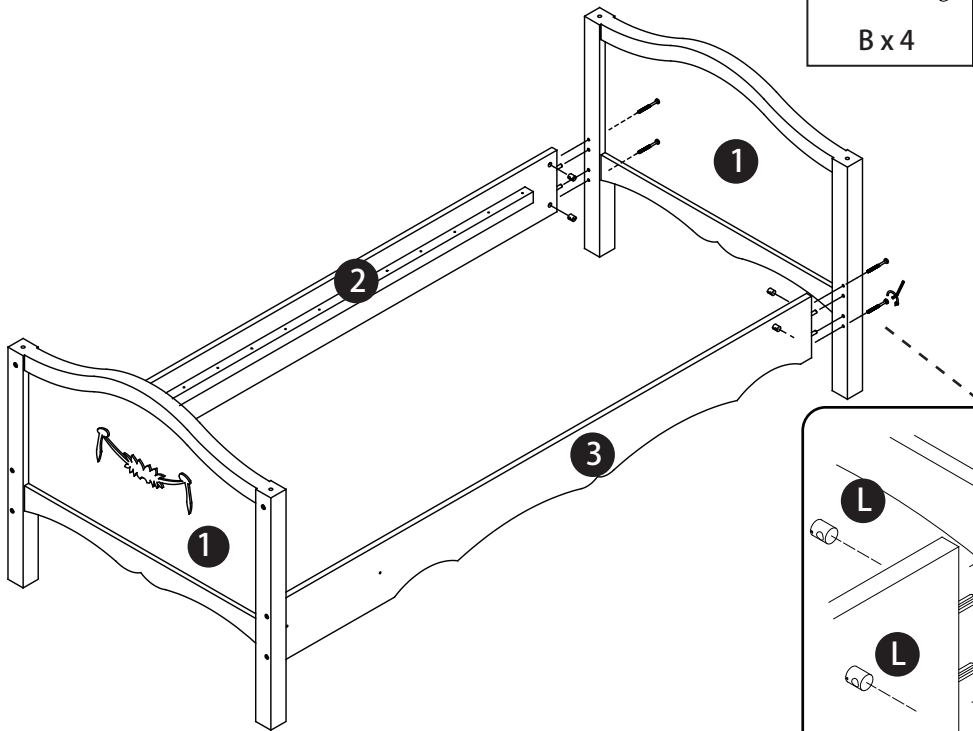
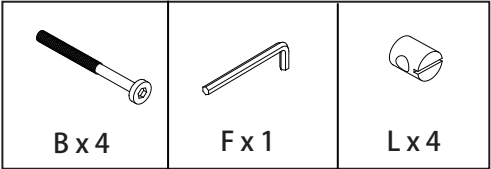
1



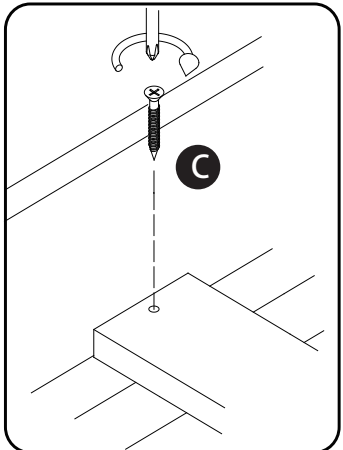
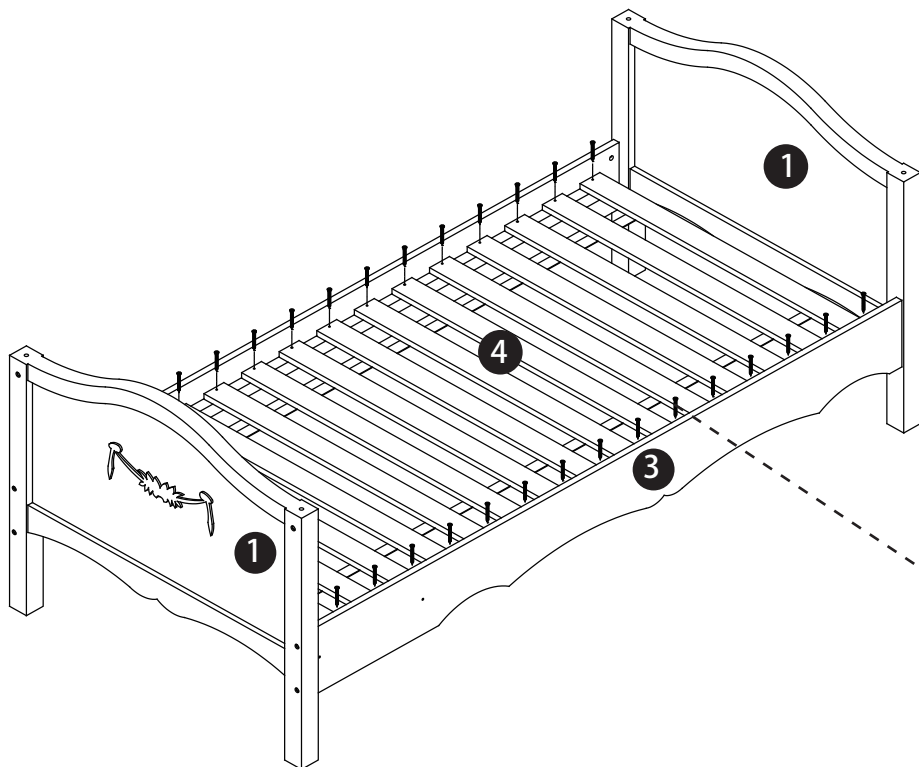
2

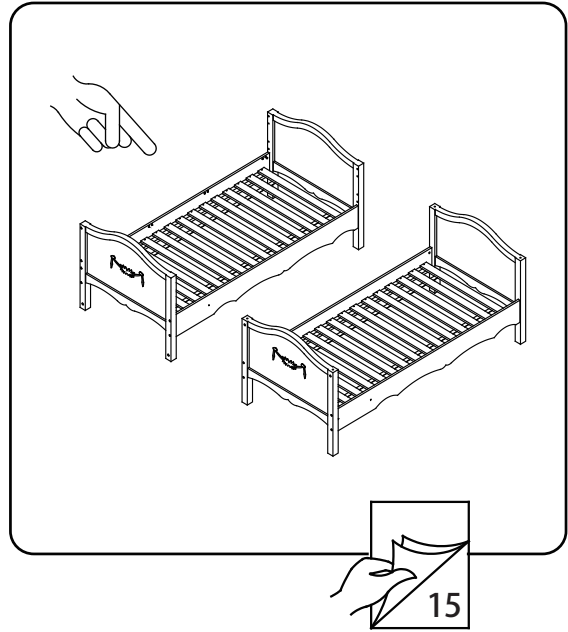
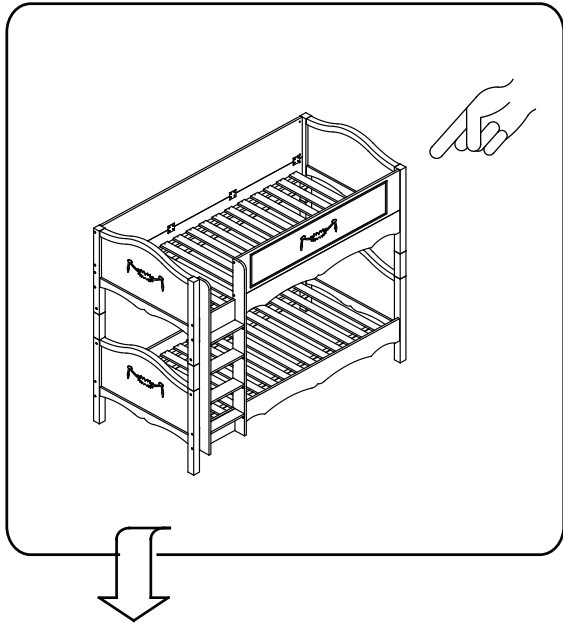


3

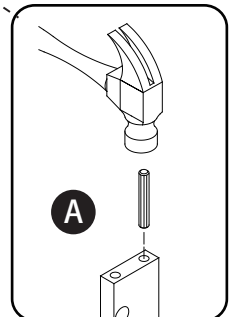
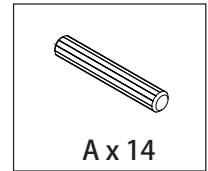
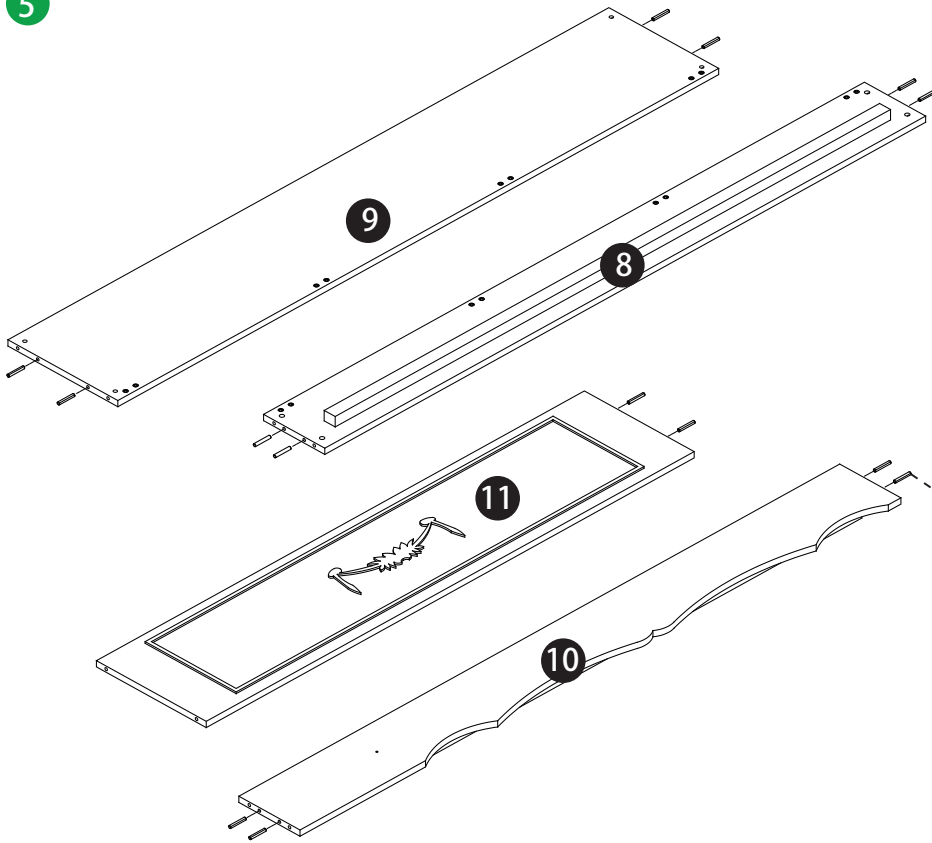


4

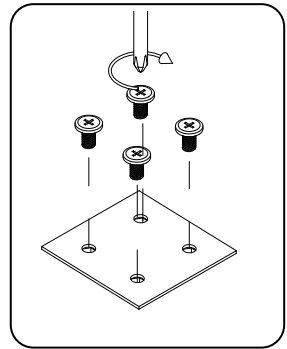
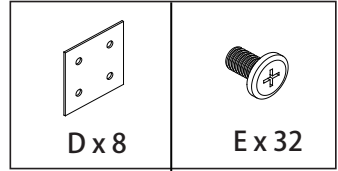
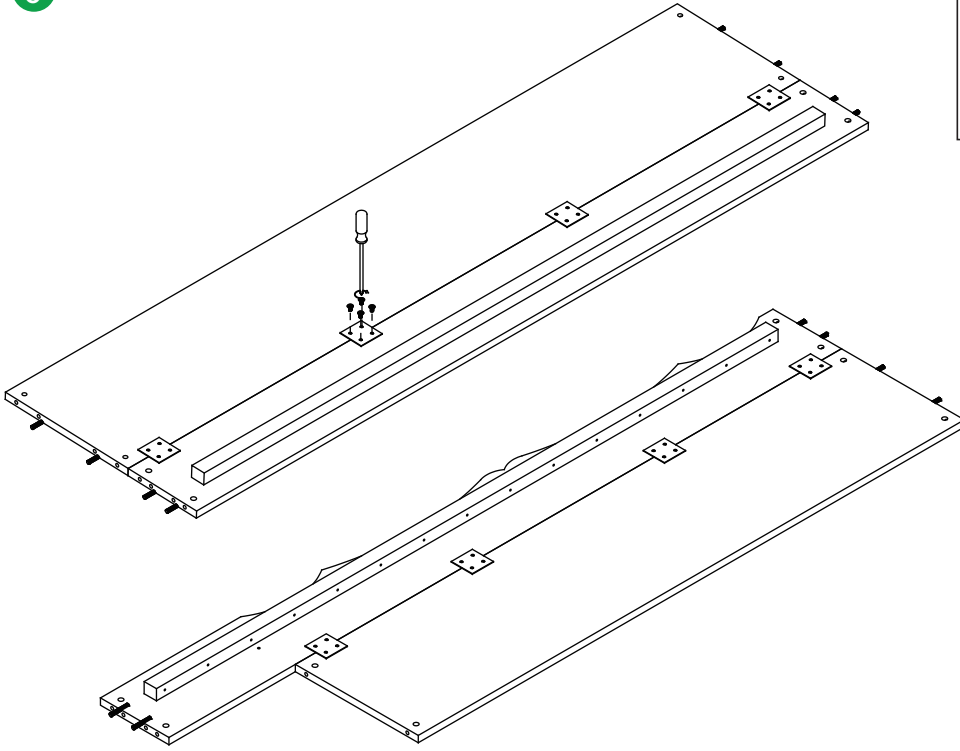




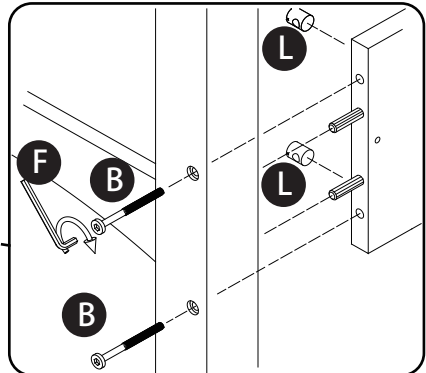
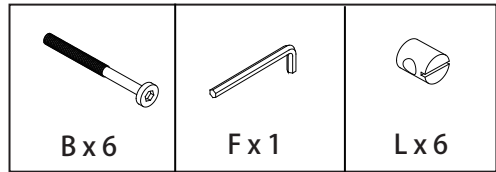
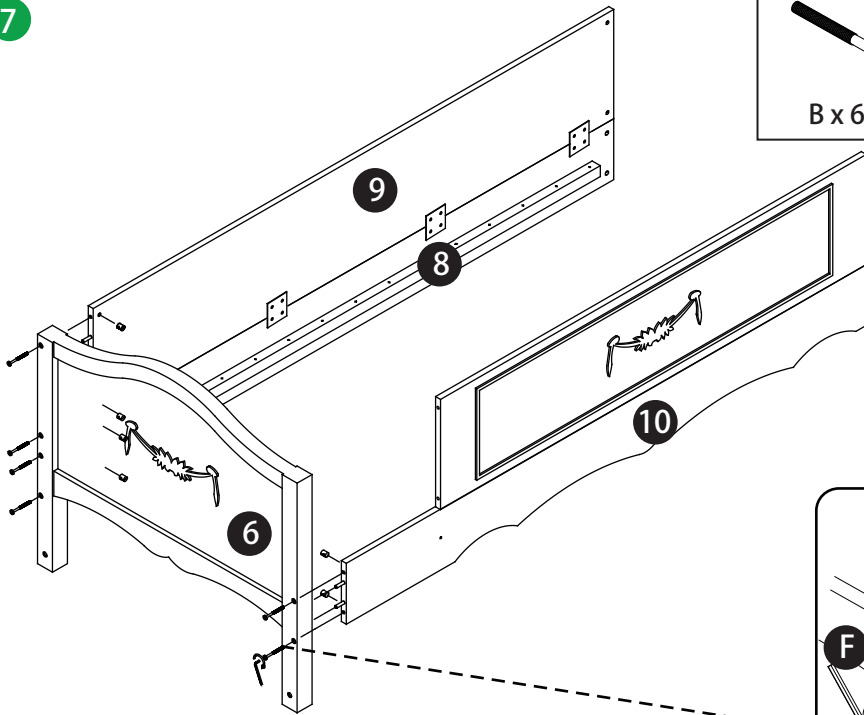
5



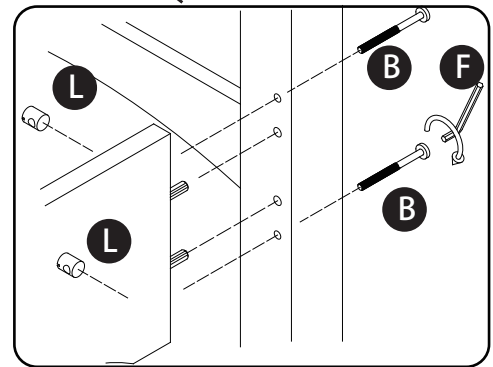
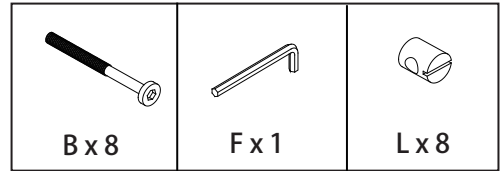
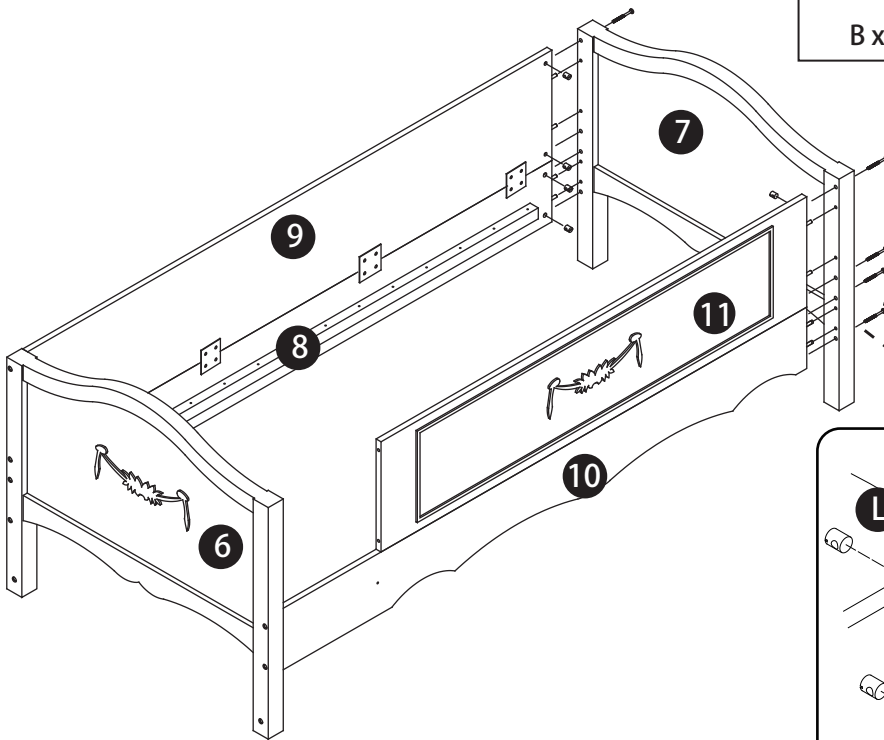
6



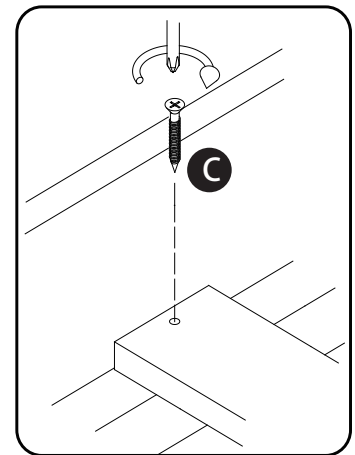
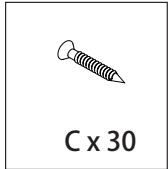
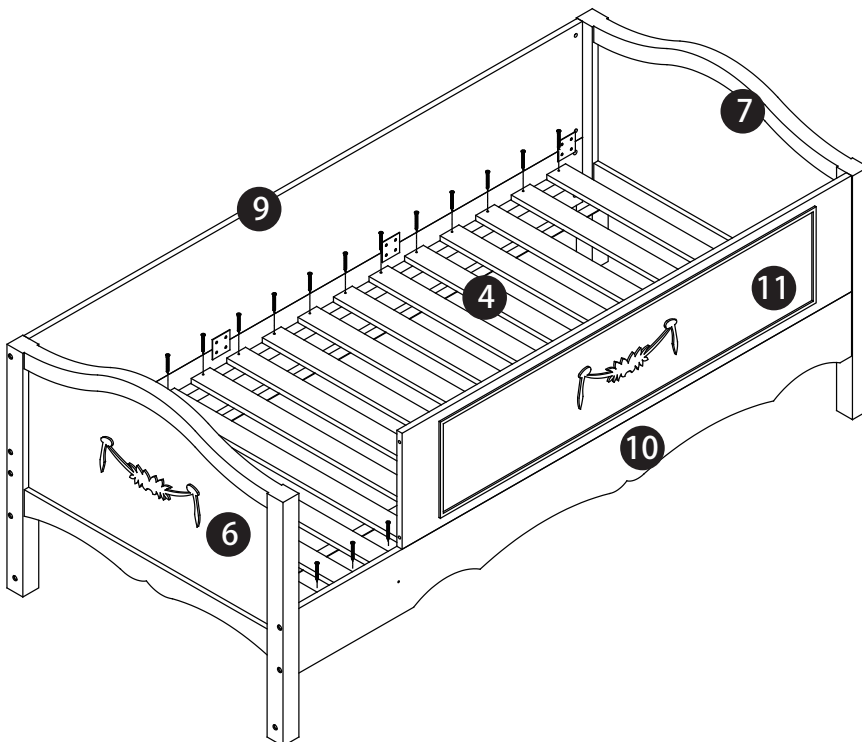
7



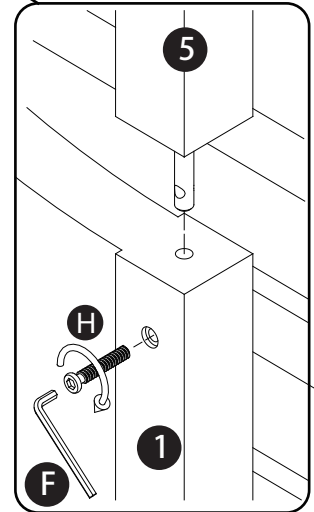
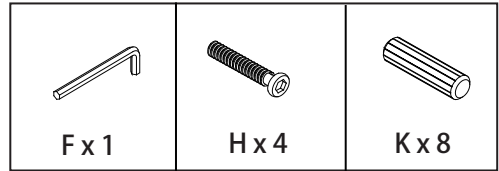
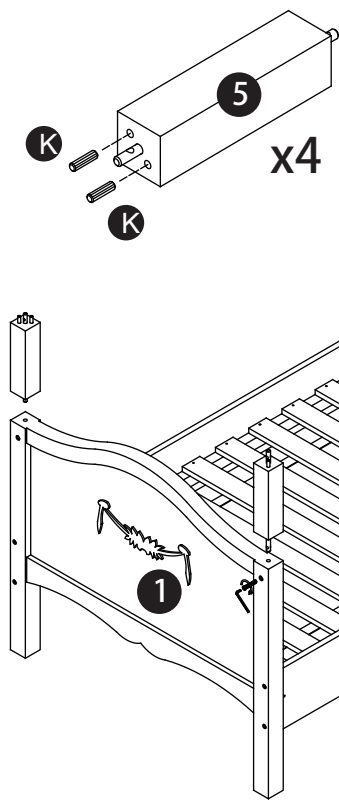
8



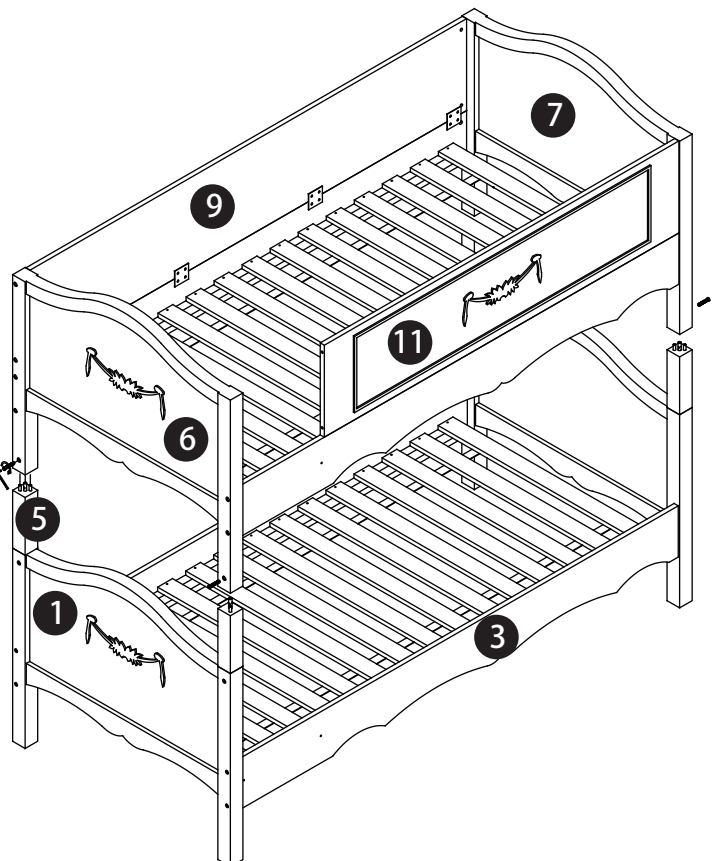
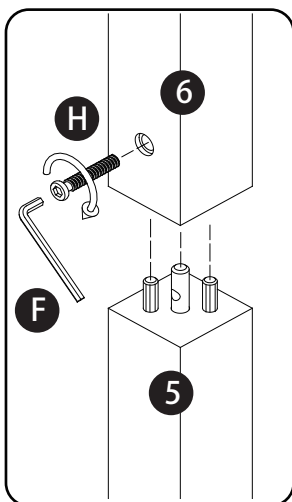
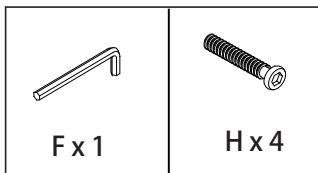
9



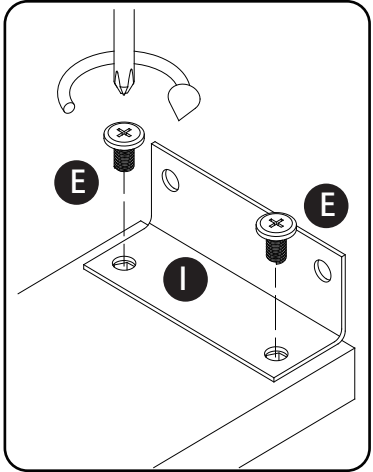
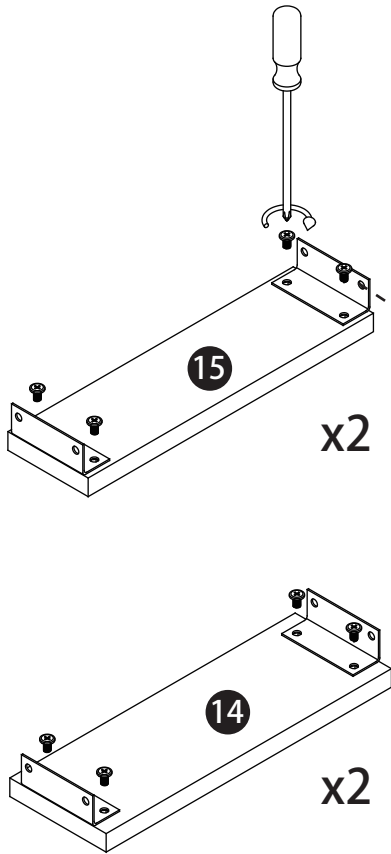
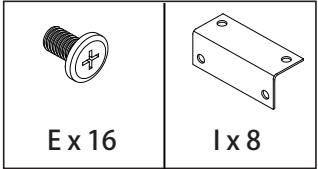
10



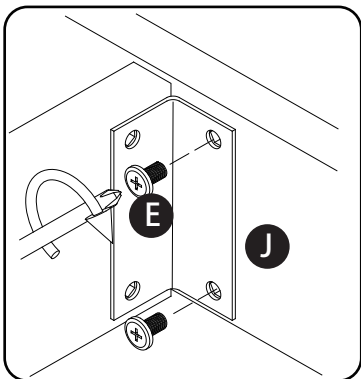
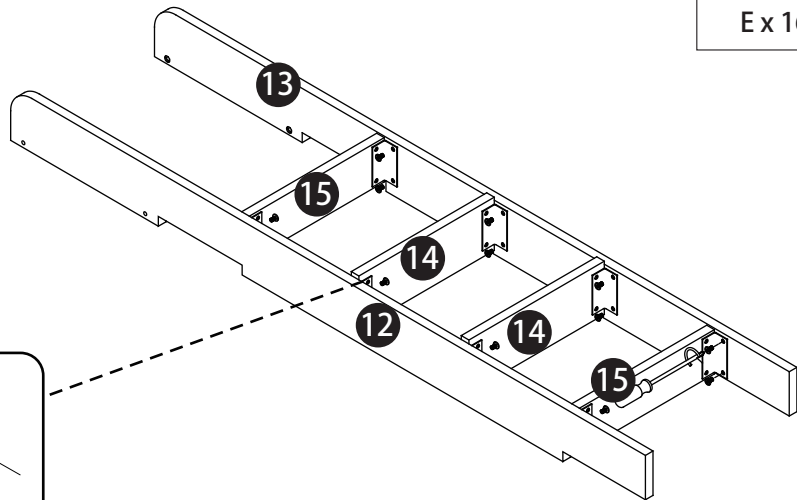
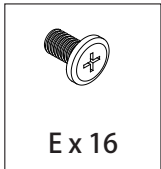
11



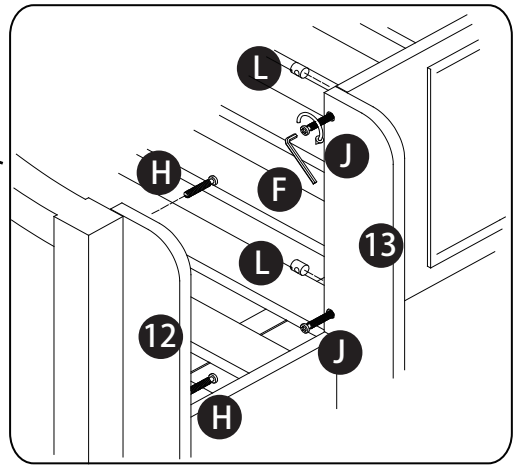
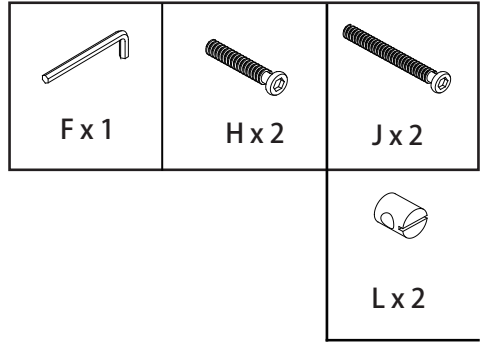
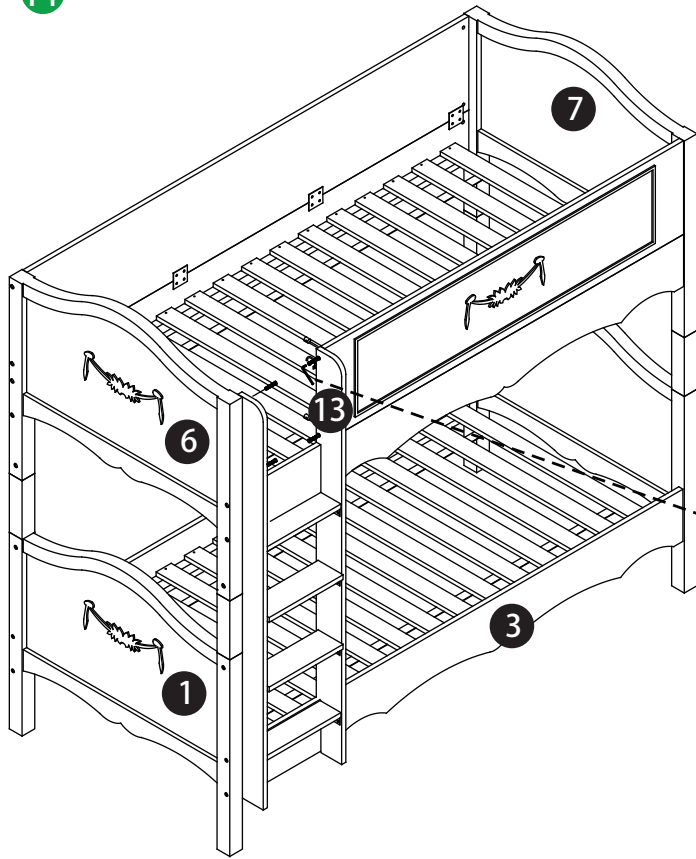
12



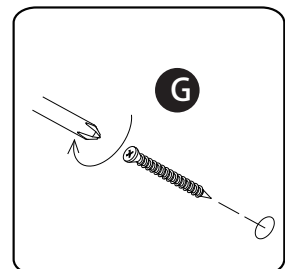
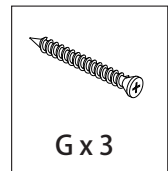
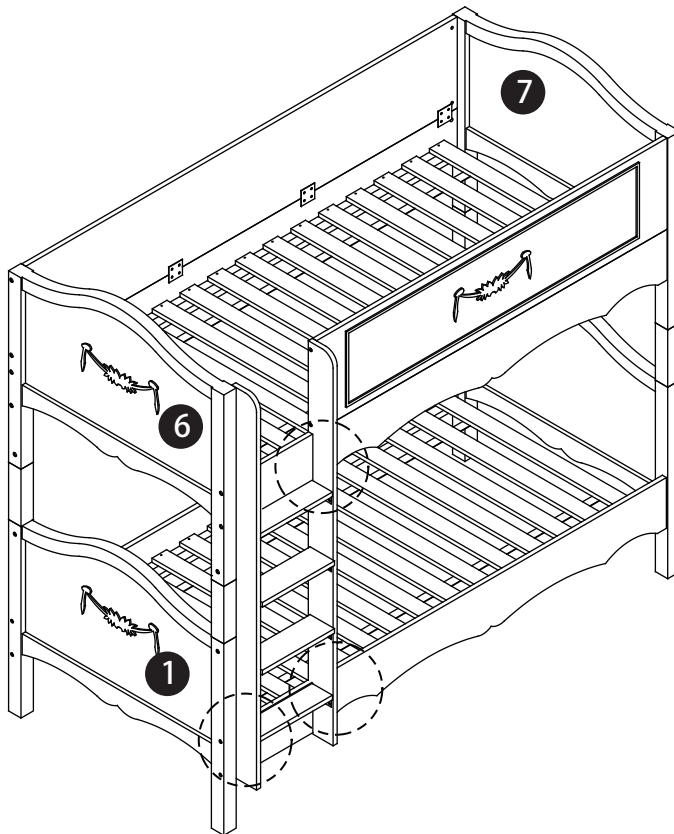
13

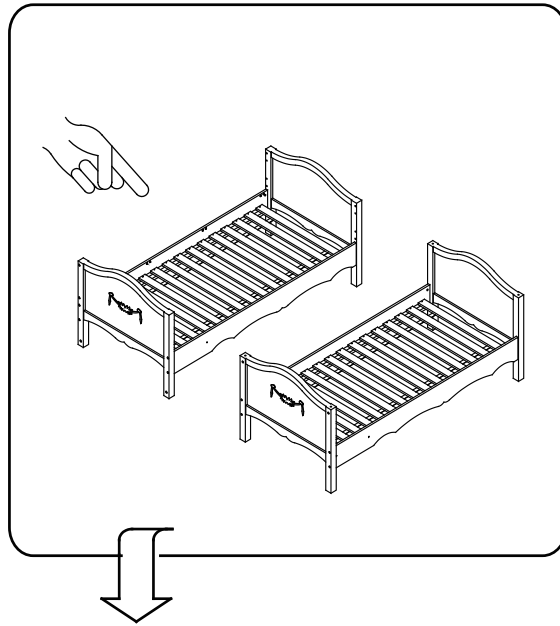


14

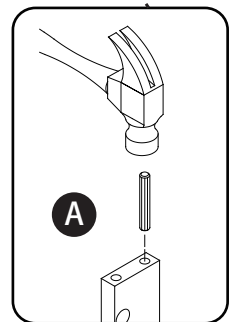
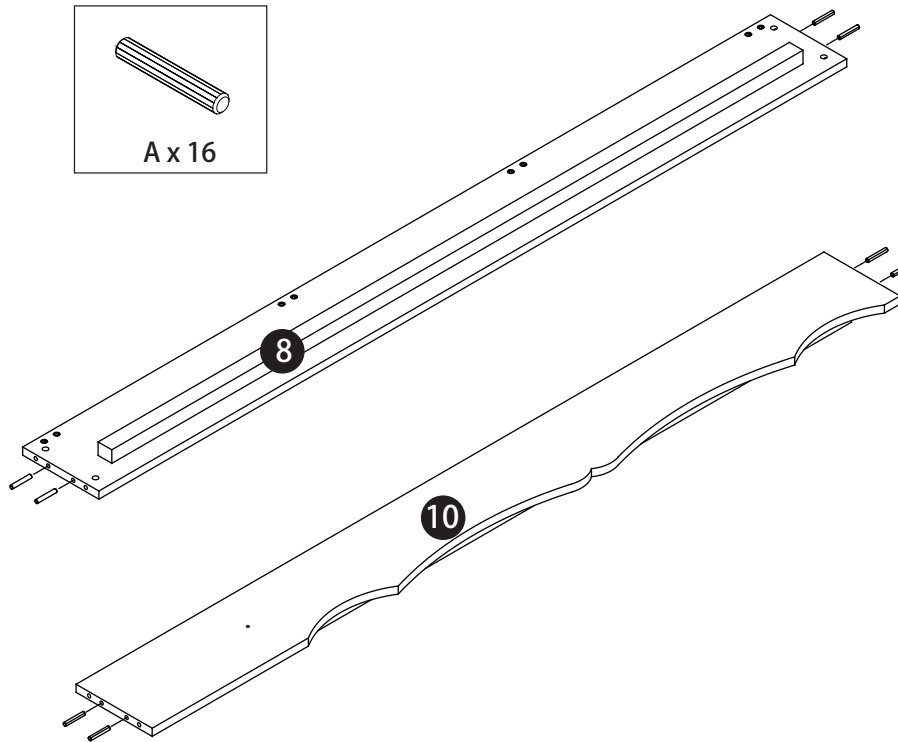
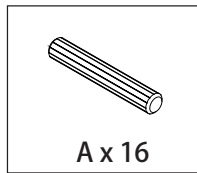


15

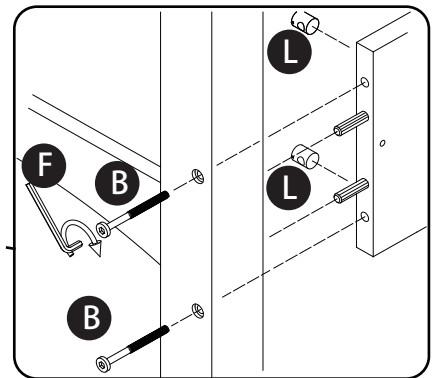
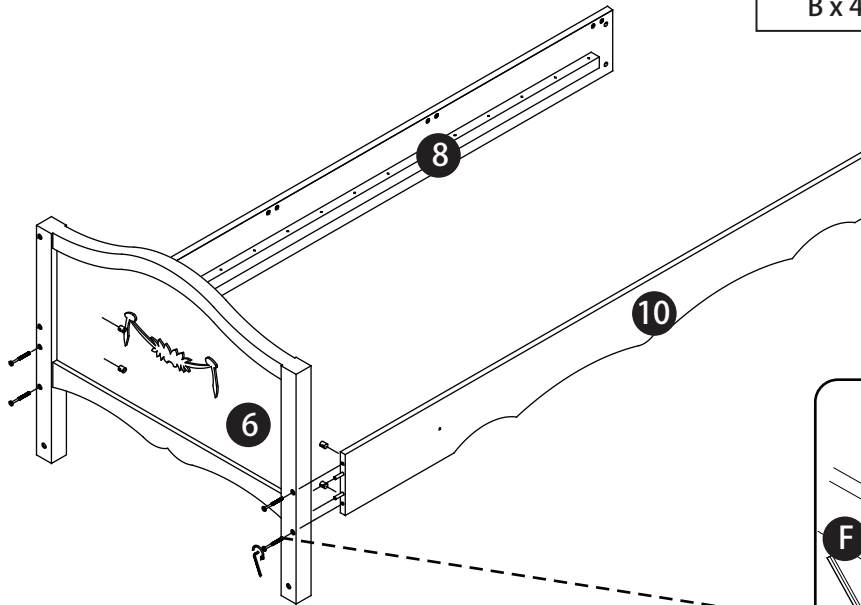
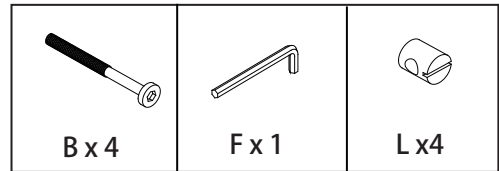




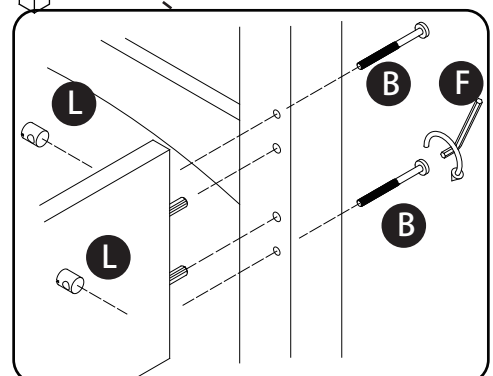
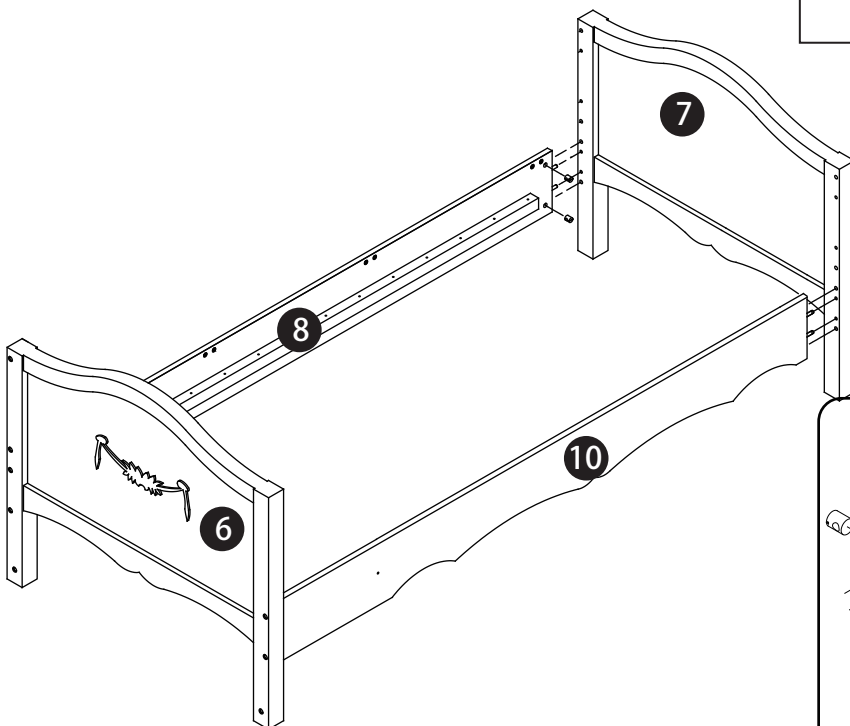
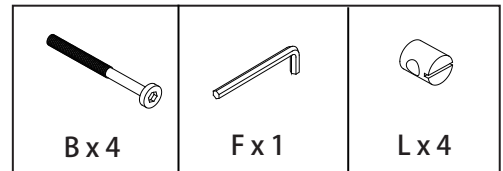
16



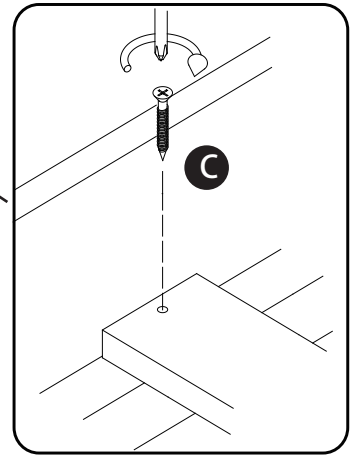
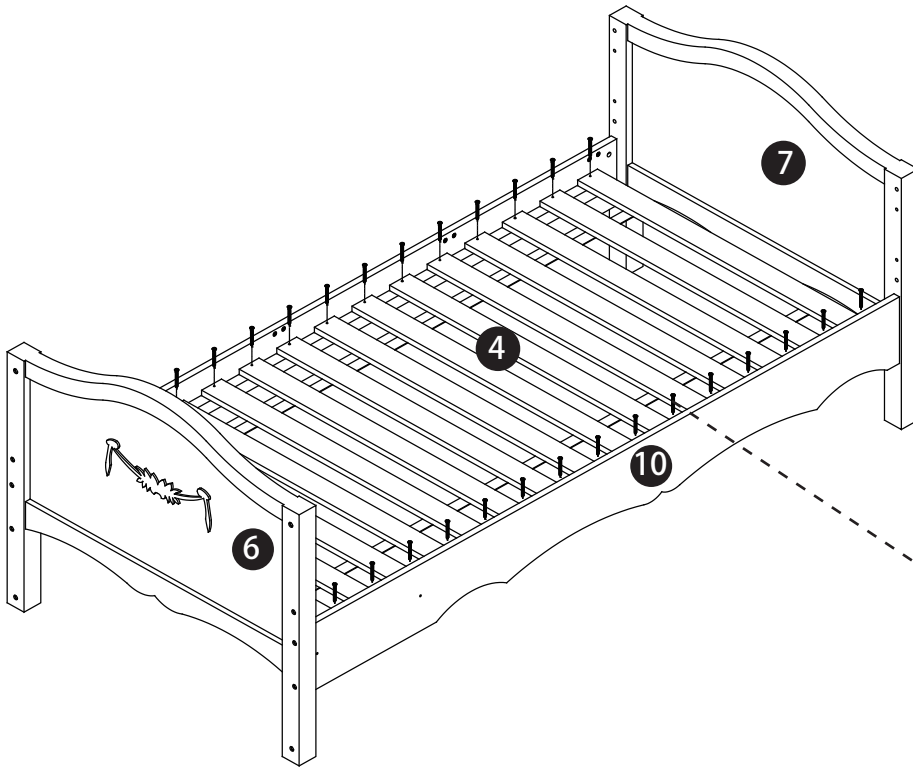
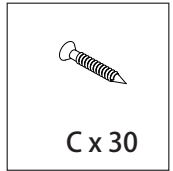
17



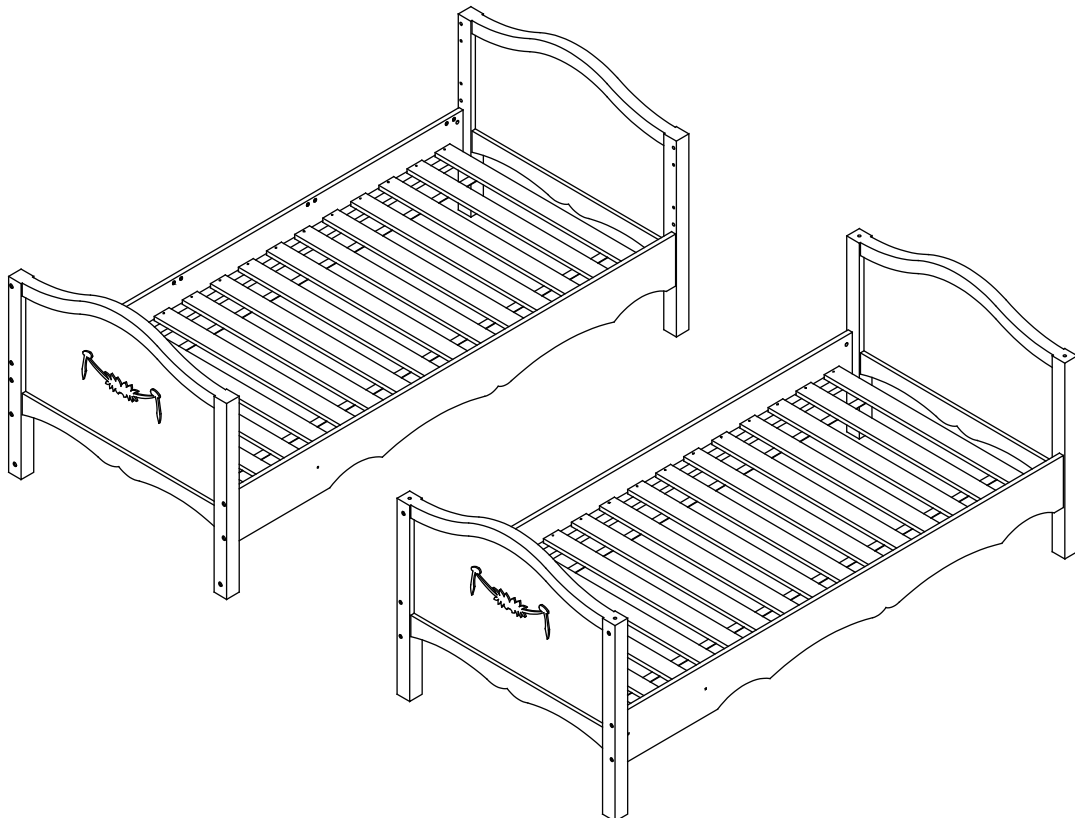
18



19



20



Care and maintenance

Wood

Only clean using a damp cloth and mild detergent, do not use bleach or abrasive cleaners.

From time to time check that there are no loose screws on this unit.

Wood is a natural product and each piece is individual. The colour will mellow over time and new items can vary in shade from items that you have already purchased. We also recommend that any ornaments, coasters and items placed on the product are periodically moved around to allow the colour to mellow evenly.

As a natural product, wood is affected by temperature and humidity. We recommend that you avoid placing the furniture directly in front of heat sources such as radiators or fires as this can cause cracking or warping over time. Always use mats and coasters to protect the surface when placing items on the furniture. This will help to protect the finish from heat, liquids or items that might scratch your furniture.

Remove any spills immediately to avoid staining. Dust regularly with a soft lint free cloth or duster.

The use of abrasive polish or silicon based polishes is not advised as these can affect the polished finish and joints over time. Always lift your furniture into place, avoid dragging it across the floor as this can cause damage to joints.

Finally, we hope you enjoy your furniture for many years to come and thanks again for your purchase.



[dunelm.com](https://www.dunelm.com)

