



PRODUCT DESCRIPTION

Toulouse Single Bedstead White

DEAR CUSTOMER



Thank you for purchasing your new piece of furniture from Dunelm.

We put a lot of effort in the design and construction of our products to ensure they set the standard for quality, durability and ease of assembly.

If for any reason you feel we haven't lived up to the high standards we set ourselves, please don't hesitate in contacting us on 03451 656565 where our team will be very keen to understand what has gone wrong and, more importantly, put it right.

The Next Step...

There is no need to feel daunted by the number of parts and fittings in front of you, we have compiled this straight forward, step-by-step guide to make sure that assembling your furniture is as easy as 1, 2, 3.

Before you begin, we advise that you check that you have everything you need to get started.

TOP TIP

Find a space to spread these out across the floor before you begin assembling them. Lay each panel down in position, ready to build. It is recommended that two people assemble this product together.

The full list of furniture parts, fixtures and fittings, as well as the tools you will need for assembly can be found on page 3 of this manual.

TOP TIP

Identify all of the fittings, make sure that you have them all prepared and familiarise yourself with each component, to make things easier when you are putting it all together.

Safety and Care Advice

IMPORTANT - The first step you need to take is to ensure your safety!
Please take the time to read and understand these instructions before assembling your furniture.

Keep children and animals away from the assembly area.

This furniture contains small parts that could cause choking if swallowed.

Keep all plastic wrapping materials away from children to avoid danger of suffocation.

Ensure that all packaging is disposed of carefully and responsibly.

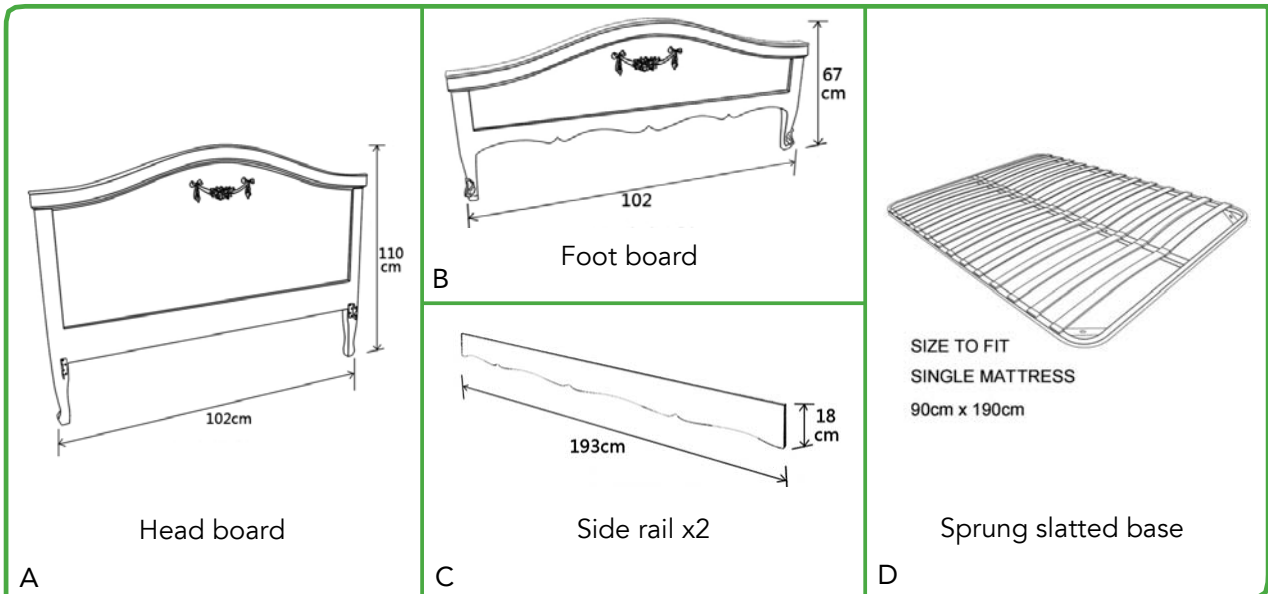
Make sure that you allow enough space to move around when assembling your furniture.

Dust regularly with a soft clean lint free cloth or duster.

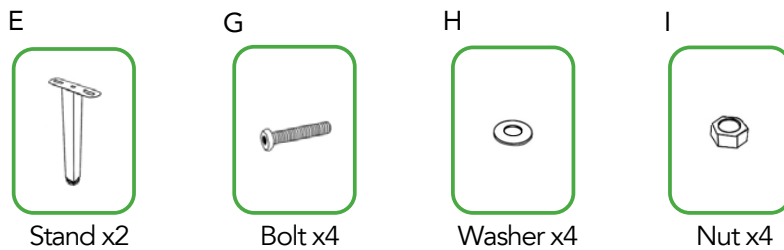
The use of abrasive polishes or silicon based polishes is not advised as these can affect the polished finish and joints over time.

Parts & Fittings for the Toulouse Single Bedstead (30168600)

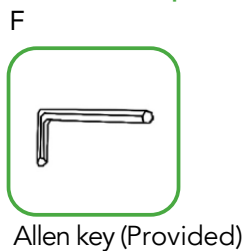
Component Panels



Component Fittings



Tools Required



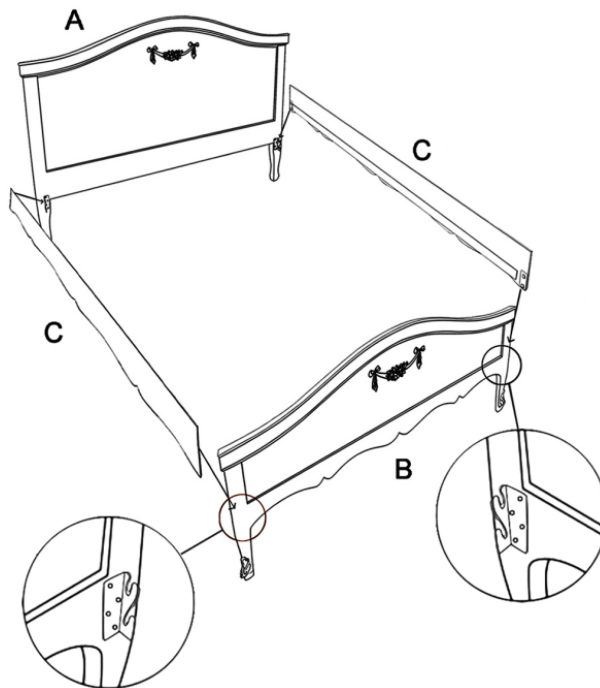
Before you start

Check the pack and make sure you have all the parts listed above. If not, contact the helpline on 03451 656565 who will be able to help you.

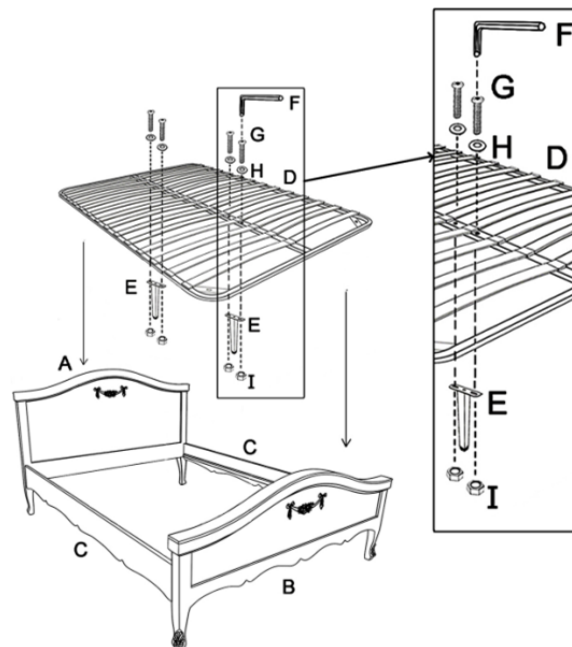
When you are ready and sure that you have the right tools to hand, you will need plenty of space and a clean dry area for assembly.

Ready?

Follow this step-by-step guide



Step 1: Attach the two side rails (C) onto the head board (A) and the foot board (B) to form the bed frame.



Step 2: Attach the two stands (E) onto the sprung slatted base with bolts (G), washers (H) and nuts (I), and then put the whole sprung slatted base into the bed frame. Carefully lift the bed into place. When lifting the bed ensure you lift the head and foot board. We recommend at least two people do this.

Care and maintenance

- Only clean using a damp cloth and mild detergent, do not use bleach or abrasive cleaners.
- From time to time check that there are no loose fixtures or screws on this unit.
- This product should not be discarded with household waste. Take to your local authority waste disposal centre.

Wood is a natural product and each piece individual. The colour will mellow over time and new items can vary in shade from items that you have already purchased. We also recommend that any ornaments, coasters and items placed on the product are periodically moved around to allow the colour to mellow evenly.

As a natural product wood is affected by temperature and humidity. We recommend that you avoid placing the furniture directly in front of heat sources such as radiators or fires as this can cause cracking or warping over time.

Always use mats and coaster to protect the surface when placing items on the furniture. This will help to protect the finish from heat, liquids or items that might scratch your furniture.

Some items will be supplied with a wall fixing strap which we recommend is used to secure the item to prevent your child from accidentally pulling furniture onto themselves.

Remove any spills immediately to avoid staining

Always lift your furniture into place - avoid dragging it across the floor as this can cause damage to joints.

Finally, we hope you enjoy your furniture for many years to come and thanks again for your purchase.



[dunelm.com](https://www.dunelm.com)

