

PRODUCT DESCRIPTION

Lucy Gents Wardrobe
H183 x W95 x D55cm

DEAR CUSTOMER



Thank you for purchasing your new piece of furniture from Dunelm.

We put a lot of effort in the design and construction of our products to ensure they set the standard for quality, durability and ease of assembly.

If for any reason you feel we haven't lived up to the high standards we set ourselves, please don't hesitate in contacting us on 03451 656565 where our team will be very keen to understand what has gone wrong and, more importantly, put it right.

The Next Step...

There is no need to feel daunted by the number of parts and fittings in front of you, we have compiled this straight forward, step-by-step guide to make sure that assembling your furniture is as easy as 1, 2, 3.

Before you begin, we advise that you check that you have everything you need to get started.

TOP TIP

Find a space to spread everything out across the floor before you begin assembling the item. Lay each panel down on a clean and level area, ideally in the room of intended use, ensuring there is enough room to manoeuvre around the item. It is recommended that two people assemble this product together.

The full list of furniture parts, fixtures and fittings, as well as the tools you will need for assembly can be found on page 2 and 3 of this manual.

TOP TIP

Identify all of the fittings, make sure that you have them all prepared and familiarise yourself with each component, to make things easier when you are putting it all together.

Safety and Care Advice

IMPORTANT - The first step you need to take is to ensure your safety!

Please take the time to read and understand these instructions before assembling your furniture.

Please keep these instructions for future reference.

Keep children and animals away from the assembly area.

This furniture contains small parts that could cause choking if swallowed.

Keep all plastic wrapping materials away from babies and children to avoid danger of suffocation.

Ensure that all packaging is disposed of carefully and responsibly.

From time to time check that there are no loose fittings on the unit, re-tighten when necessary.

Two people may be required for the assembly of this product.

Once items are part or fully assembled they are not returnable unless faulty.

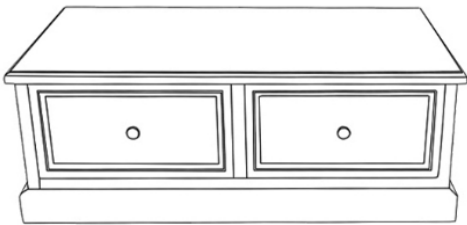

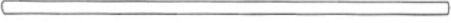



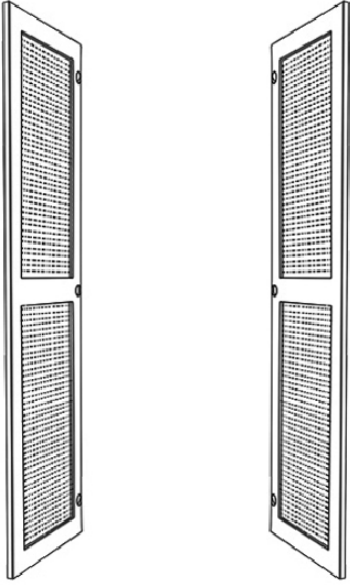


This item is not for outdoor use – unless stated otherwise.

Some items will be supplied with a wall fixing strap, which we recommend is used to secure the item to the wall, to prevent a child from accidentally pulling furniture over.

Furniture can be dangerous if incorrectly installed. Assembly should be carried out by a competent person. No liability will be accepted for damage or injury caused by incorrectly installed or assembled furniture.

Parts & Fittings for the Lucy Gents Wardrobe

Component Panels

 <p>A Base unit</p>	 <p>B Shelf</p>
 <p>C Hanging rail</p>	 <p>D Top</p>
 <p>E1 Left side panel</p>	 <p>E2 Right side panel</p>
 <p>F1&F2 Door x2</p>	 <p>G Connecting panel</p>  <p>H Back panel x2</p>

Parts & Fittings for the Lucy Gents Wardrobe

Fittings

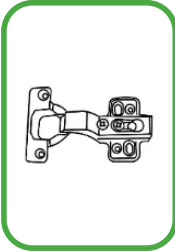
J



8x40mm

Bolt x8

K



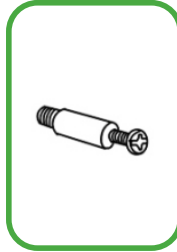
Big angle hinge x6

L



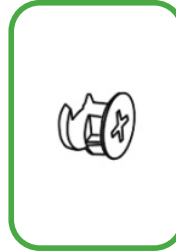
Leveller x2

M



Cam bolt x2

N



Cam lock x2

P



Handle x2

Q



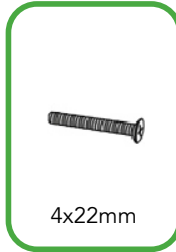
Magnetic catch x4

R



Metal plate x4

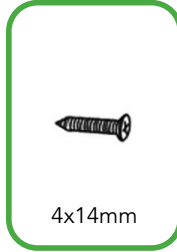
S



4x22mm

Bolt x2

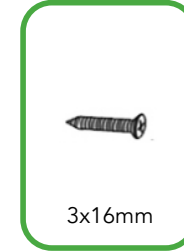
T



4x14mm

Screw x36

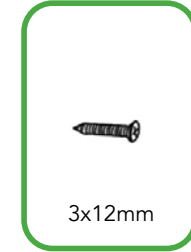
U



3x16mm

Screw x22

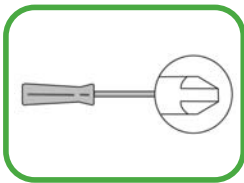
V



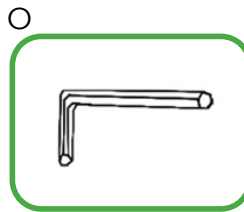
3x12mm

Screw x8

Tools Required



Cross head screwdriver
(Not provided)



Allen key (Provided)

Before you start

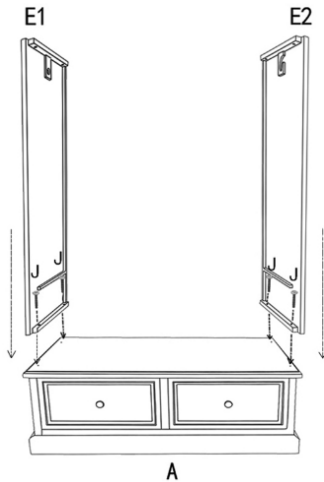
Check the pack and make sure you have all the parts listed above.
If not, contact the helpline on 03451 656565 who will be able to help you.

When you are ready and sure that you have the right tools to hand, you will need plenty of space and a clean dry area for assembly.

Ready?

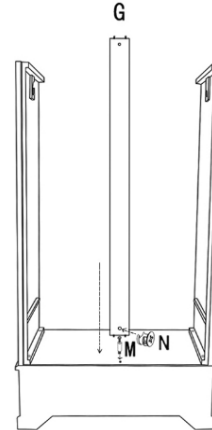
Follow this step-by-step guide

1



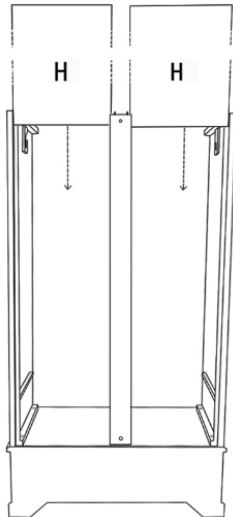
Attach the left hand side (E1) and the right hand side (E2) to the base unit (A).
Secure using bolts (J) x4.

2



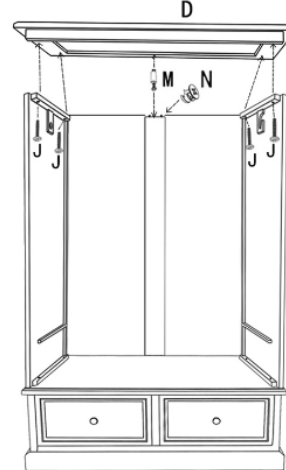
Attach cam bolt (M) x1 to the base unit (A). Insert cam lock (N) x1 into the lower end of the connecting panel (G).
Attach the connecting panel (G) to the base unit (A). Ensure that the dowels are inserted into the holes of the base unit and secure by turning cam lock (N).

3



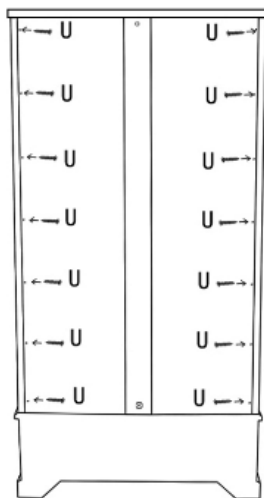
Insert back panel (H) x2 into the unit, locating them into the grooves in the assembled panels and base unit.

4



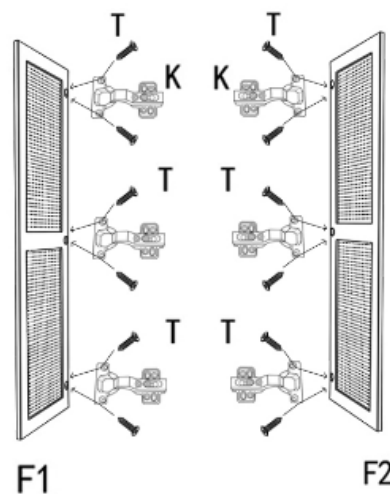
Attach cam bolt (M) x1 to the top (D). Insert cam lock (N) x1 into the upper end of the connecting panel (G).
Place the top (D) onto the assembled unit. Secure by turning cam lock (N) and using bolts (J) x4.

5



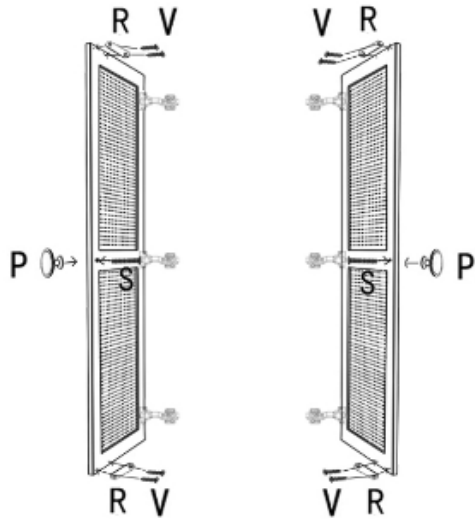
Back panels (H) are screwed inside internal slats of two side panels using screws (U) x14.

6



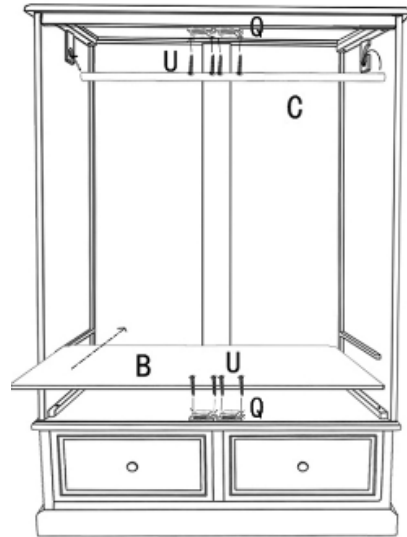
Attach big angle hinges (K) x6 to the doors (F1&F2) using screws (T) x12.

7



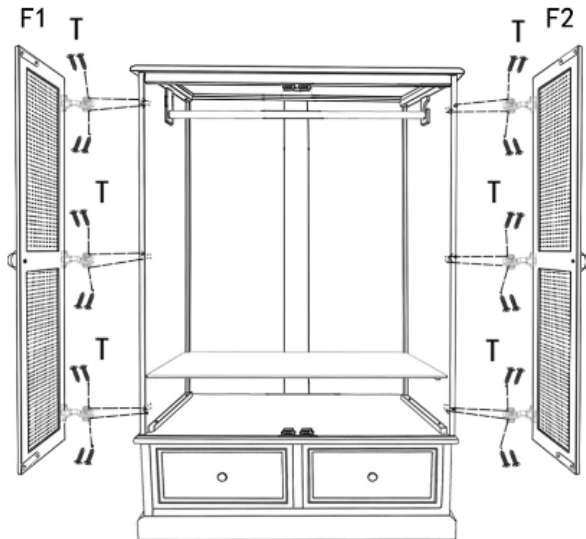
Attach metal plates (R) x4 onto the corners of the doors using screws (V) x8.
Attach handles (P) x2 to the doors using bolts (S) x2.

8



Attach magnetic catches (Q) x4 to the top and bottom of the unit, using screws (U) x8.
Insert hanging rail (C) and shelf (B) into the unit.

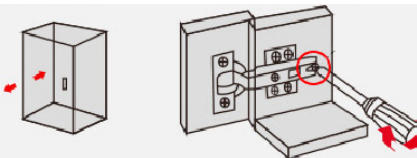
9



Attach doors (F1&f2) to the unit using screws (T) x24.
Level the doors according to the directions of door adjustment.
Ensure that the metal plates line up with the magnetic catches when the doors are closed.
Carefully lift the unit into place. We recommend a minimum of two people to do this.

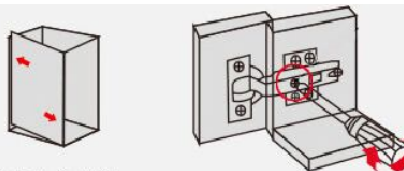
Door adjustment

Forward or backward



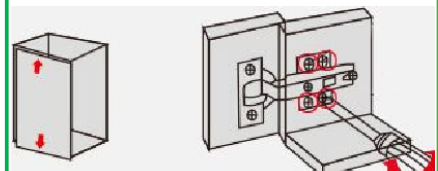
Loosen the screw shown in the red circle first, push the door forward or backward to the right place, and then tighten the screw.

Left or right



Turn the screw shown in the red circle counterclockwise or clockwise to make the door to the left or right.

Up or down



Loosen the screws shown in the red circles first, push the door up or down to the right place, and then tighten the screws.



Please use the levellers (L) provided if the floor surface is uneven.

Care and maintenance

Wood

Only clean using a damp cloth and mild detergent, do not use bleach or abrasive cleaners.

From time to time check that there are no loose screws on this unit.

Wood is a natural product and each piece is individual. The colour will mellow over time and new items can vary in shade from items that you have already purchased. We also recommend that any ornaments, coasters and items placed on the product are periodically moved around to allow the colour to mellow evenly.

As a natural product, wood is affected by temperature and humidity. We recommend that you avoid placing the furniture directly in front of heat sources such as radiators or fires as this can cause cracking or warping over time. Always use mats and coasters to protect the surface when placing items on the furniture. This will help to protect the finish from heat, liquids or items that might scratch your furniture.

Remove any spills immediately to avoid staining. Dust regularly with a soft lint free cloth or duster.

The use of abrasive polish or silicon based polishes is not advised as these can affect the polished finish and joints over time. Always lift your furniture into place, avoid dragging it across the floor as this can cause damage to joints.

Finally, we hope you enjoy your furniture for many years to come and thanks again for your purchase.



[dunelm.com](https://www.dunelm.com)

