

# Measuring your blinds



First you need to decide if your blinds should be installed outside or inside your window recess.

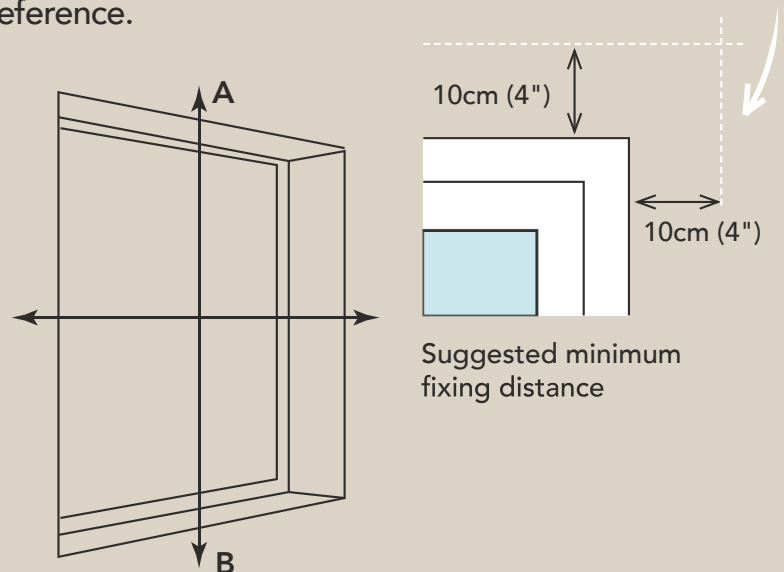
## OUTSIDE THE RECESS

It is important to allow overlap each side of the window to help block out light and draughts. A minimum of 10cm (4") each side is recommended although this can be altered dependent of available space and your personal preference.

### Measuring length

Measure the length from point A to point B to give you the length of your blind.

**TOP TIP** Use a metal tape measure as it will be more accurate



## INSIDE THE RECESS

### Measuring width

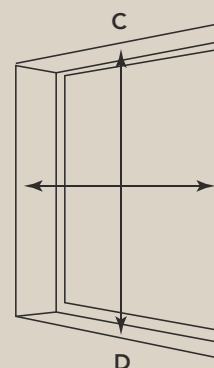
Ensure there are no obstructions in your window recess that may stop your blind hanging freely when fully extended. Measure width at 3 points down the length of your window recess as the distance may vary, use the shortest width.

### Measuring length

Measure the length from point C to point D to give you the length of your blind.

### Maximum width & drop

Venetian: 240cm (95") width - 254cm (100") drop  
Vertical: 304.8cm (120") width - 304.8cm (120") drop  
Roman: 228cm (90") width - 254cm drop (100")



You should deduct 1cm (0.4") from both measurements to ensure a small amount of clearance each side of your blind to allow it to move up and down freely.

Made To Measure

Dunelm At Home

Over 20 Vertical and Venetian blinds to take home today

## Notes

---

---

---