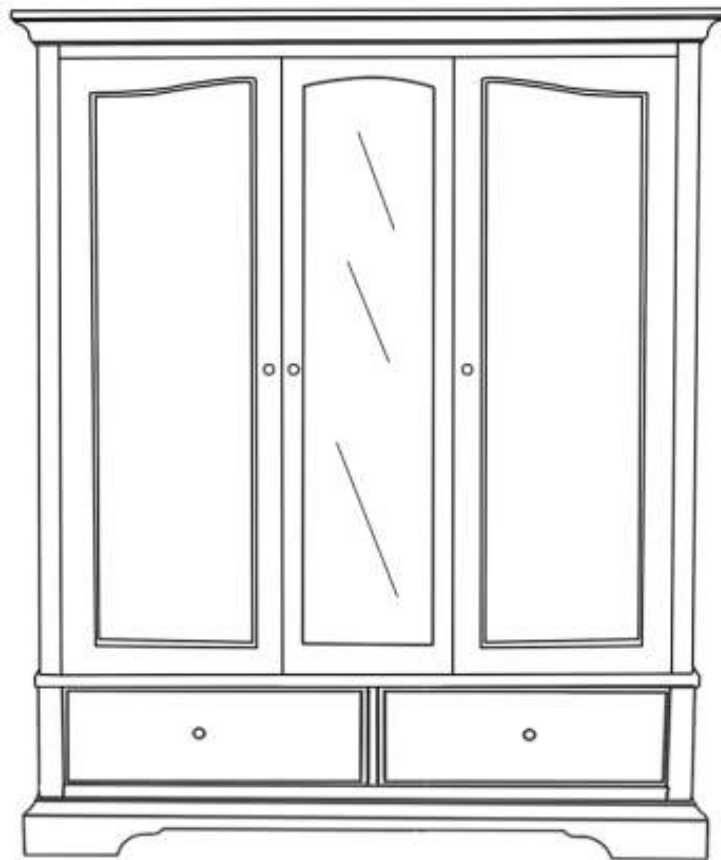


# Charlotte Triple Wardrobe

## INSTRUCTIONS



**Dunelm**

[www.dunelm.com](http://www.dunelm.com)

---

# Thank you

---

## Dear Customer

Thank you for purchasing your new piece of furniture from Dunelm. We put a lot of effort in the design and construction of our products to ensure they set the standard for quality, durability and ease of assembly.

If for any reason you feel we haven't lived up to the high standards we set ourselves, please don't hesitate in contacting us on **03451 656565** where our team will be very keen to understand what has gone wrong and, more importantly, put it right.

## The next step...

There is no need to feel daunted by the number of parts and fittings in front of you, we have compiled this straight forward, step-by-step guide to make sure that assembling your furniture is as easy as 1, 2, 3. Before you begin, we advise that you check that you have everything you need to get started.

## Top tip

Find a space to spread everything out across the floor before you begin assembling the item. Lay each panel down on a clean and level area, ideally in the room of intended use, ensuring there is enough room to manoeuvre around the item. It is recommended that two people assemble this product together. The full list of furniture parts, fixtures and fittings, as well as the tools you will need for assembly can be found on page 2 and 3 of this manual.

## Top tip

Identify all of the fittings, make sure that you have them all prepared and familiarise yourself with each component, to make things easier when you are putting it all together.

## Safety and care advice

**IMPORTANT** - The first step you need to take is to ensure your safety! Please take the time to read and understand these instructions before assembling your furniture.

Please keep these instructions for future reference.

Keep children and animals away from the assembly area. This furniture contains small parts that could cause choking if swallowed.

Keep all plastic wrapping materials away from babies and children to avoid danger of suffocation.

Ensure that all packaging is disposed of carefully and responsibly.

From time to time check that there are no loose fittings on the unit, re-tighten when necessary.

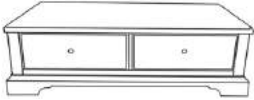



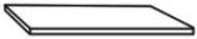



Two people may be required for the assembly of this product.






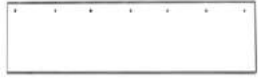

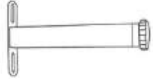
Once items are part or fully assembled they are not returnable unless faulty.

This item is not for outdoor use - unless stated otherwise.

Some items will be supplied with a wall fixing strap, which we recommend is used to secure the item to the wall, to prevent a child from accidentally pulling furniture over. Furniture can be dangerous if incorrectly installed. Assembly should be carried out by a competent person. No liability will be accepted for damage or injury caused by incorrectly installed or assembled furniture.

# Component parts supplied

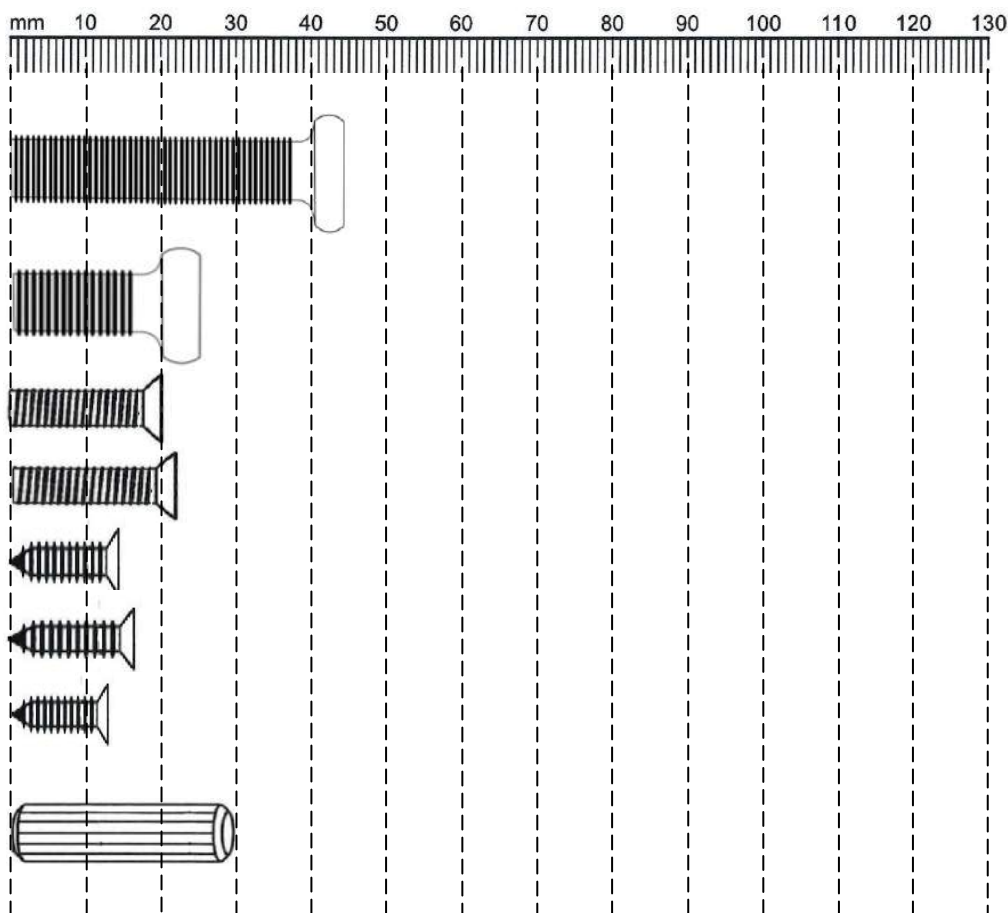
Ref	Description	Visual	Qty
A	Base unit		1
B	Top		1
C	Shot hanging rail		1
C1	Long hanging rail		1
C2	Shelf		3
D	Left side panel		1
D1	Right side panel		1
D2	Centre panel		1

Ref	Description	Visual	Qty
E	Left door		1
E1	Middle door		1
E2	Right door		1
F	Back connecting panel1		1
F1	Back connecting panel2		1
G	Back panel1		2
G1	Back panel2		1
W	Stand		1


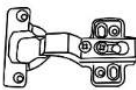
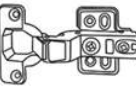
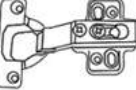
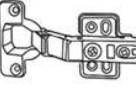

# Parts and fittings








Fixtures and fittings supplied (actual size)

Ref	Dimension	Qty
H	8x40mm (Not including bolt head)	10
H1	8x20mm (Not including bolt head)	2
Q	4x20mm	2
Q1	4x22mm	1
R	4x14mm	54
S	3x16mm	14
T	3x12mm	24
U	8x30mm	2



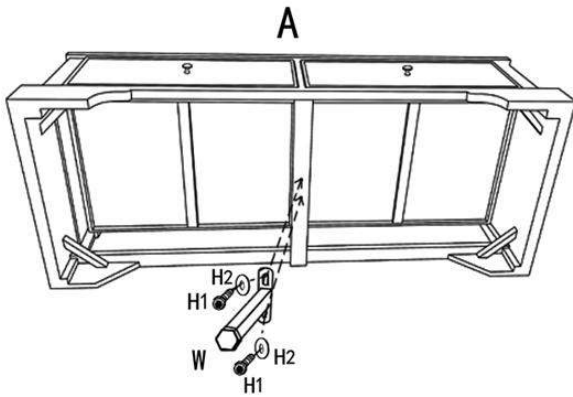
Fixtures and fittings supplied (not to scale)

Ref	Description	Visual	Qty
H2	Washer		2
I	Big angle hinge		2
I1	Hydraulic damping big angle hinge		4
I2	Straight angle hinge		1
I3	Hydraulic damping straight angle hinge		2
J	Leveller		2

Ref	Description	Visual	Qty
K	Cam bolt		6
L	Cam lock		6
M	Allen key		1
N	Handle		3
O	Magnetic catch		6
P	Metal plate		6
V	Shelf support		12

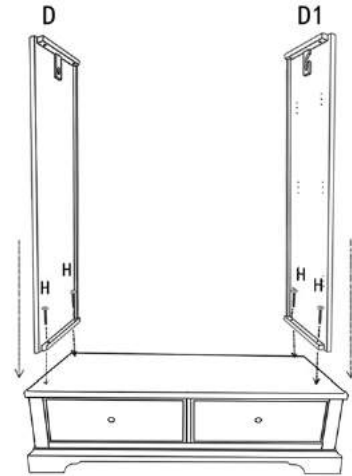
### Step 1:

Gently lay the base unit (A) on its back, attach the stand (W) to the base unit (A) and secure using bolts (H1) x2 and washers (H2) x2.  
Gently stand the unit upright.



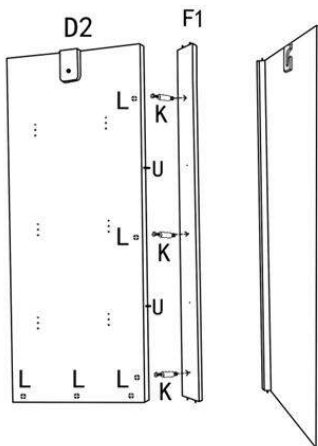
### Step 2:

Attach the left hand side (D) and the right hand side (D1) to the base unit (A).  
Secure using bolts (H) x4.



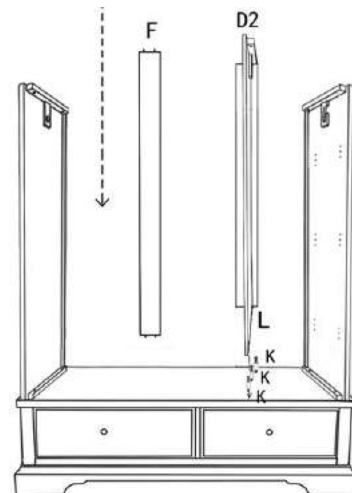
### Step 3:

Attach cam bolts (K) x3 to back connecting panel (F1).  
Insert dowels (U) x2 into centre panel (D2).  
Insert cam locks (L) x6 into centre panel (D2).  
Attach connecting panel (F1) to centre panel (D2) and secure by turning cam lock (L).



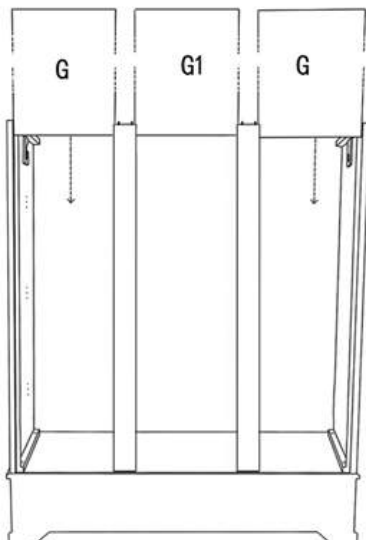
### Step 4:

Attach cam bolts (K) x3 to base unit (A).  
Attach centre panel (D2) and secure by turning cam locks (L).  
Attach the back connecting panel (F) to the base unit (A).  
Ensure that the dowels are inserted into the holes of the base unit.



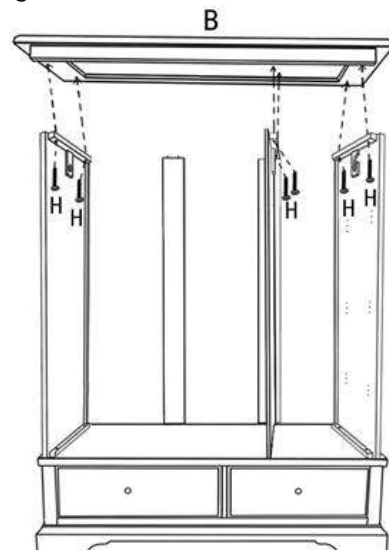
### Step 5:

Insert back panels (G and G1) into the unit, locating them into the grooves in the assembled panels and base unit.



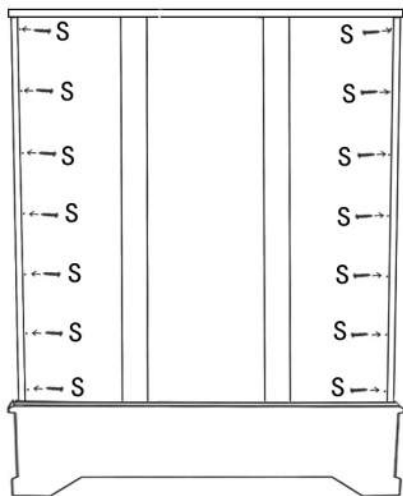
### Step 6:

Place the top (B) onto the assembled unit.  
Secure using bolts (H) x6.



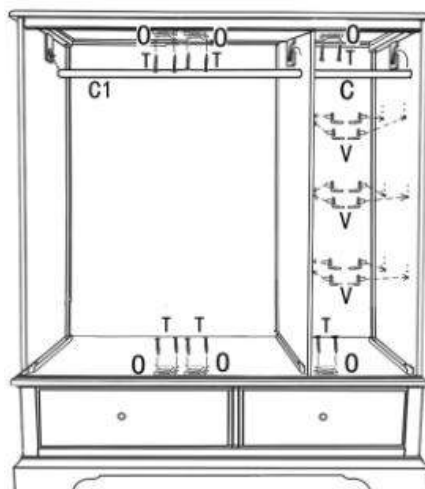
### Step 7:

Back panels (G) are screwed inside internal slats of two side panels using screws (S) x14.



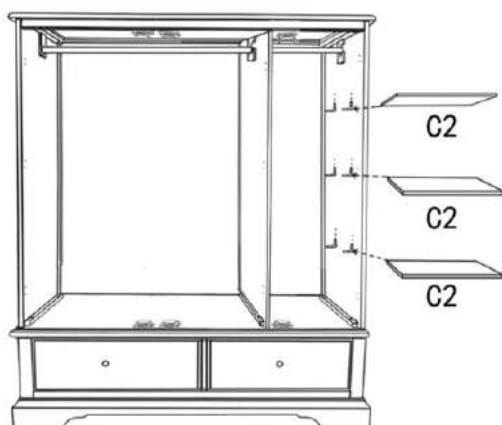
### Step 8:

Attach magnetic catches (O) x6 to the top and bottom of the unit, using screws (T) x12.  
Insert hanging rails (C & C1) into the unit.  
Insert shelf supports (V) x12 into the unit.



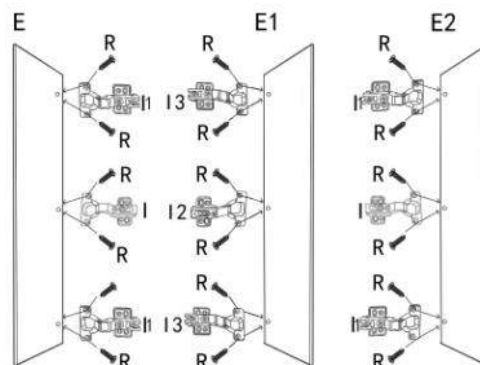
### Step 9:

Insert shelves (C2) x3 into the unit.



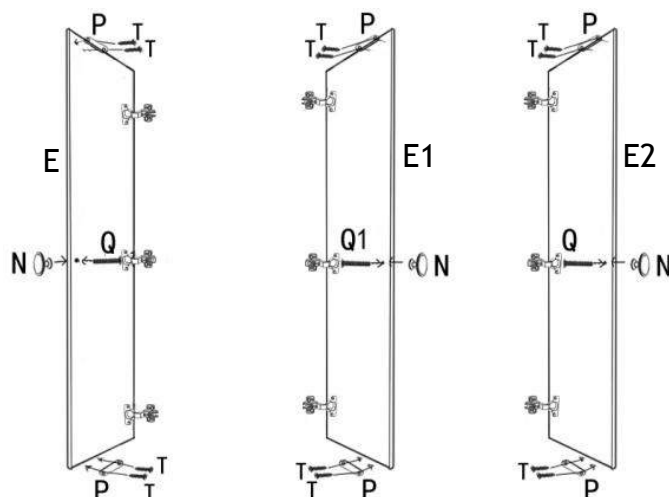
### Step 10:

Attach big angle hinges (I) x2 and hydraulic damping big angle hinges (I1) x4 to the doors (E & E2) using screws (R) x12.  
Attach straight angle hinge (I2)x1 and hydraulic damping straight angle hinges (I3) x2 to the door (E1) using screws (R) x6.



### Step 11:

Attach metal plates (P) x6 onto the corners of the doors using screws (T) x12.  
Attach handles (N) x2 to the doors (E & E2) using bolts (Q) x2.  
Attach handle (N) x1 to the door (E1) using bolt (Q1) x1.



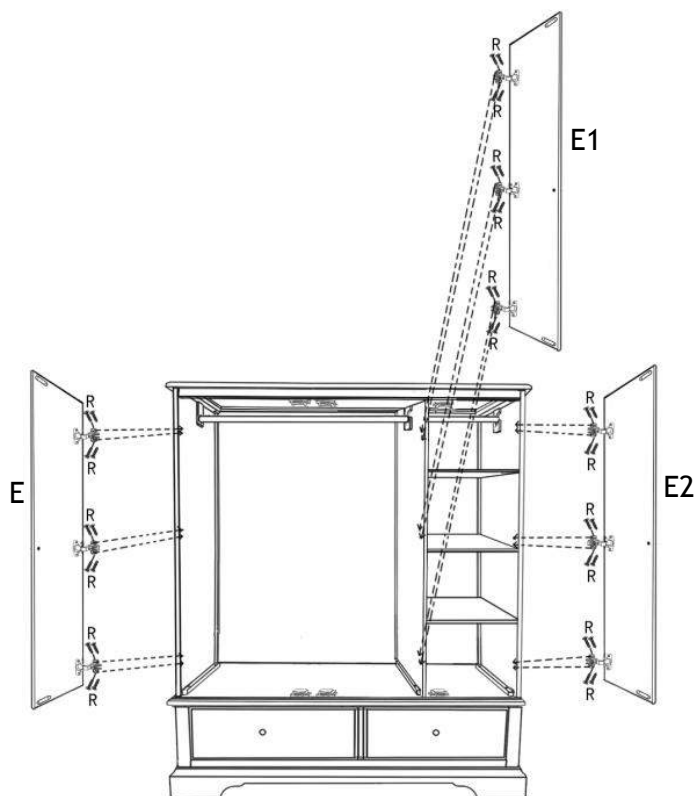
## Step 12:

Attach left door (E), middle door (E1) and right door (E2) to the unit using screws (R) x 36.

Level the doors according to the directions of door adjustment.

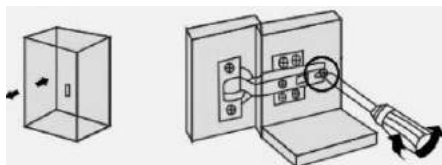
Ensure that the metal plates line up with the magnetic catches when the doors are closed.

Carefully lift the unit into place. We recommend a minimum of two people to do this.



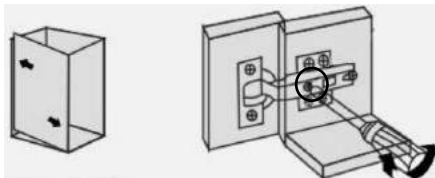
## Door adjustment

### Forward or backward



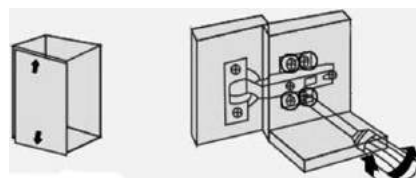
Loosen the screw shown in the black circle first, push the door forward or backward to the right place, and then tighten the screw.

### Left or right

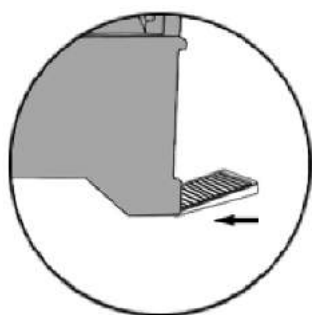


Turn the screw shown in the black circle counterclockwise or clockwise to make the door to the left or right.

### Up or down



Loosen the screws shown in the black circles first, push the door up or down to the right place, and then tighten the screws.



Please use the levellers (J) provided if the floor surface is uneven.

---

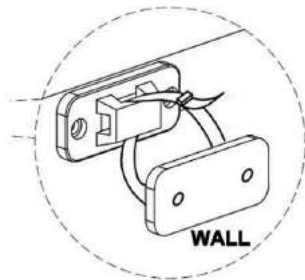
# Tip kit instructions

---

Your item of furniture has been provided with a wall attachment for your safety. It is highly recommended that this is used to prevent furniture over tipping which can cause serious or fatal crushing injuries.

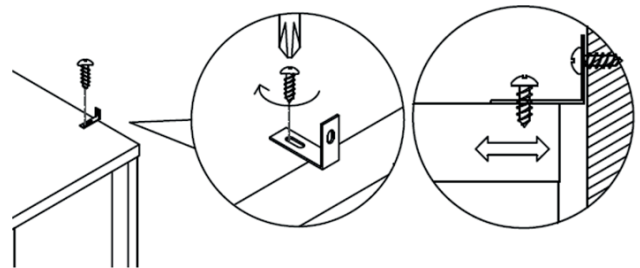
- Never allow children to climb or hang on the drawers, doors or shelves.
- Place the heaviest items in the lower drawers or shelves.
- Never open more than one drawer at a time.
- A suitable attachment device is provided with your product; however you will need to source suitable fixings for your wall.
- If in doubt, please consult a qualified tradesperson.
- Two different wall fixings types could be provided with our furniture, the correct type is in this bag to suit your furniture. Further information below.

## Plastic cable tie image



- Please ensure that the plastic bracket is screwed into the wall as the image shows.
- Wall screws and plugs are not provided however please use our guide to help you choose the correct screw / plug type for your wall.
- When drilling the walls, always ensure there are no hidden wires or pipes.

## Metal L bracket image

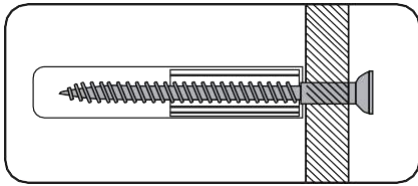


- Please ensure that the Metal L bracket is screwed into the wall as the image shows, the bracket location may vary on unit location and personal preference.
- Wall screws and plugs are not provided however please use our guide to help you choose the correct screw / plug type for your wall.
- When drilling the walls, always ensure there are no hidden wires or pipes.



# Wall fixings

## Step by step



### Important

When drilling into walls always check there are no hidden wires or pipes etc. Make sure that the screws and wall plugs being used are suitable for supporting your unit. Consult a qualified tradesperson if you are unsure.

### Hints

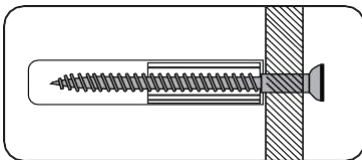
1. General Rule; Always use a larger screw and wall plug if you are not sure.
2. Ensure you use the recommended drill bit to match the wall plug and hole size.
3. Ensure you drill the hole horizontally, do not force the drill or enlarge the hole.
4. Take extra care when drilling high walls, ceilings and ceramic tiles. Ensure the plug is fitting below the ceramic tile to avoid splitting or cracking.
5. Ensure wall plugs are well fitted and are a tight fit in the drilled hole.

### Types of Walls

You can use one of the following types of wall plug if your walls are made of brick, breeze block, concrete, stone, wood or plastic board.

#### 1. STANDARD Wall Plug

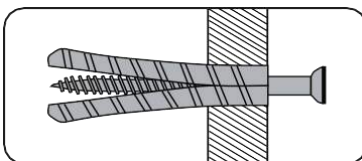
General wall materials



These come in various sizes and are made from plastic or sometimes wood fibre.

#### 2. GENERAL PURPOSE Wall Plug

Aerated/Breeze block

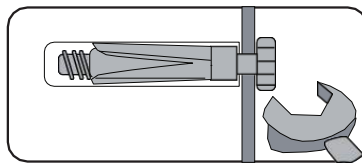


Generally aerated blocks should not be used to support heavy loads, use a specialist fitting in this case. For light loads, a General Purpose Plug can be used.

#### 3. SHIELD ANCHOR

##### Wall Plug

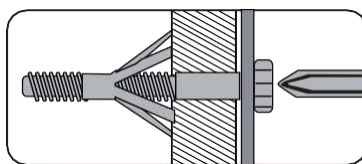
Heavy loads



For use with heavier loads such as TV & Hi-fi Speakers and Satellite Dishes etc.

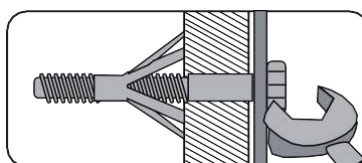
#### 4. CAVITY FIXING

##### Wall Plug



For use with plaster board partitions or hollow wooden doors.

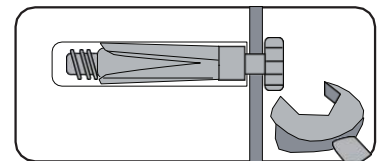
#### 5. CAVITY FIXING HEAVY DUTY Wall Plug



For use with plaster board partitions or hollow wooden doors.

#### 6. HAMMER FIXING

##### Wall Plug



For use with walls stuck with plaster board. The hammer fixing allows it to be fixed to the wall rather than the plaster board. Always check the fixing is secure to the retaining wall.

### Care and Maintenance

#### ⚠ Safety

Always check the fitting and location to ensure your safety in and around the home.

#### ⚠ Fitting

From time to time check the fitting to ensure the wall plugs or screws do not become loose.

---

# Wall fixings

---

- This wall fixing is provided for your safety and we recommend that once in position the unit is secured to the wall for extra stability.
- Wall fixings may vary depending on item of furniture purchased.
- Wall fittings are not provided as different wall types require different raw plugs and screws.
- Please ensure that you use fittings that are suitable for your wall type (see next page for a general guide).
- Please ensure that the head of the screws used has a diameter greater than the diameter of the hole on the wall fixing and that the fixing is safe and secure before using.
- When drilling into the walls, always ensure there are no hidden wires or pipes.
- If you are unsure, we recommend you consult a qualified Trades person.

---

# Glass care advise

---

## Regular glass care advise

Do not use glass as a chopping board.

Do not use very hot or very cold items on the glass unless adequate table mats are used to prevent such items coming into direct contact with the furniture.

Do not strike the glass with hard or pointed items.

Do not use abrasive cleaners on the glass as these may scratch and damage the glass.

To clean your item, please use a soft cloth slightly dampened with water and wipe clean.

Then buff with a dry clean cloth. Use washing up liquid if necessary.

If the glass is chipped or broken, stop using the product and consult Dunelm.

---

# Wood care advise

---

## Wood care advise

Wood is a natural product and each piece is individual.

As a natural product, wood is affected by temperature and humidity. We recommend that you avoid placing the furniture directly in front of heat sources such as radiators or fires as this can cause cracking or warping over time.

The colour will mellow over time and new items can vary in shade from items that you have already purchased.

Strong direct sunlight can affect the colour dramatically, so try to avoid this as much as possible, we also recommend that any ornaments, coasters and items placed on the product are periodically moved around to allow the colour to mellow evenly.

Always use matts and coasters to protect the surface when placing items on the furniture. This will help to protect the finish from heat, liquids or items that might scratch your furniture.

If items are to be placed on the surface of your furniture and have rubber feet, it is advisable to use mats to prevent marking.

Always lift your furniture into place, avoid dragging it across the floor as this can cause damage to joints.

When placing furniture on a wooden or laminate floor, please ensure that the plastic or felt protectors are securely fitted and in place.

Only clean using a damp cloth and mild detergent, do not use bleach or abrasive cleaners.

From time to time check that there are no loose screws on this unit.

Remove any spills immediately to avoid staining.

Dust regularly with a soft lint free cloth or duster.

The use of abrasive polish or silicon based polishes is not advised as these can affect the polished finish and joints over time.

Uneven floors could give the impression that doors of wall units and wardrobes are out of alignment. Be aware of this and compensate if necessary by adjusting the hinges or packing a corner to level the item. Please refer to the instructions, included with your furniture, and adjust accordingly.

If your furniture becomes stained, scratched, chipped or suffers other damage, we recommend professional help is sought to restore it. Please contact our customer services line for recommended agents.

Always follow fitting instructions carefully and retain them for future use.

**Finally, we hope you enjoy your furniture for many years to come and thanks again for your purchase.**