

kiddicare

# country

---

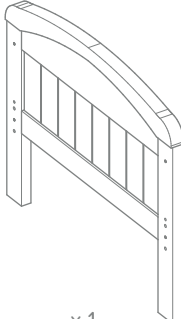
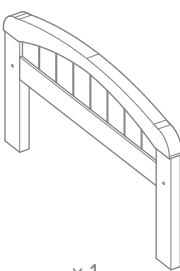
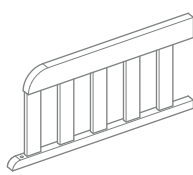
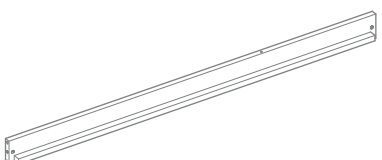
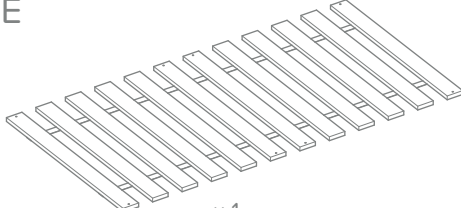
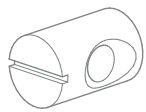
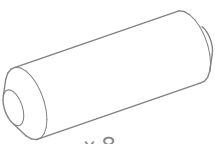
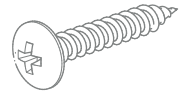
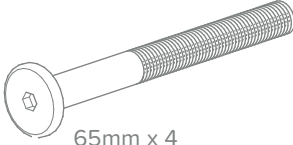
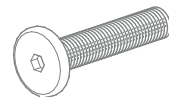
toddler bed

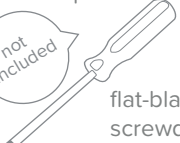
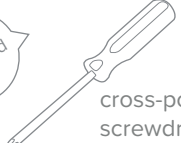



**IMPORTANT: KEEP FOR FUTURE  
REFERENCE. READ CAREFULLY**

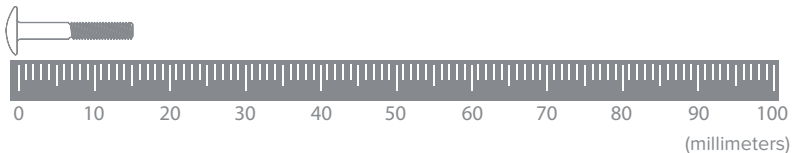
---

# parts

<p><b>A</b></p>  <p>x1</p>	<p><b>B</b></p>  <p>x1</p>	<p><b>C</b></p>  <p>x2</p>
<p><b>D</b></p>  <p>x2 (L &amp; R)</p>	<p><b>E</b></p>  <p>x1</p>	
<p><b>F</b></p>  <p>x4</p>	<p><b>G</b></p>  <p>x8</p>	<p><b>H</b></p>  <p>x8</p>
<p><b>I</b></p>  <p>65mm x 4</p>	<p><b>J</b></p>  <p>45mm x 6</p>	

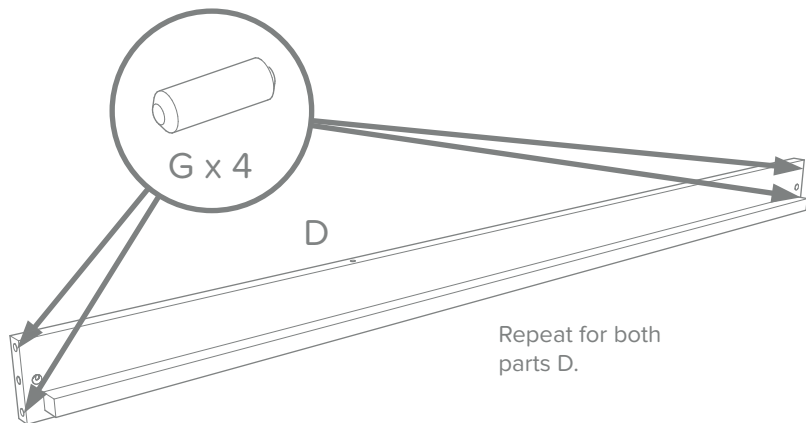
<p>Tools required</p>  <p>not included</p> <p>flat-bladed screwdriver</p>	 <p>not included</p> <p>cross-point screwdriver</p>	 <p>included</p> <p>hexagon key</p>
--	--	---

Measure

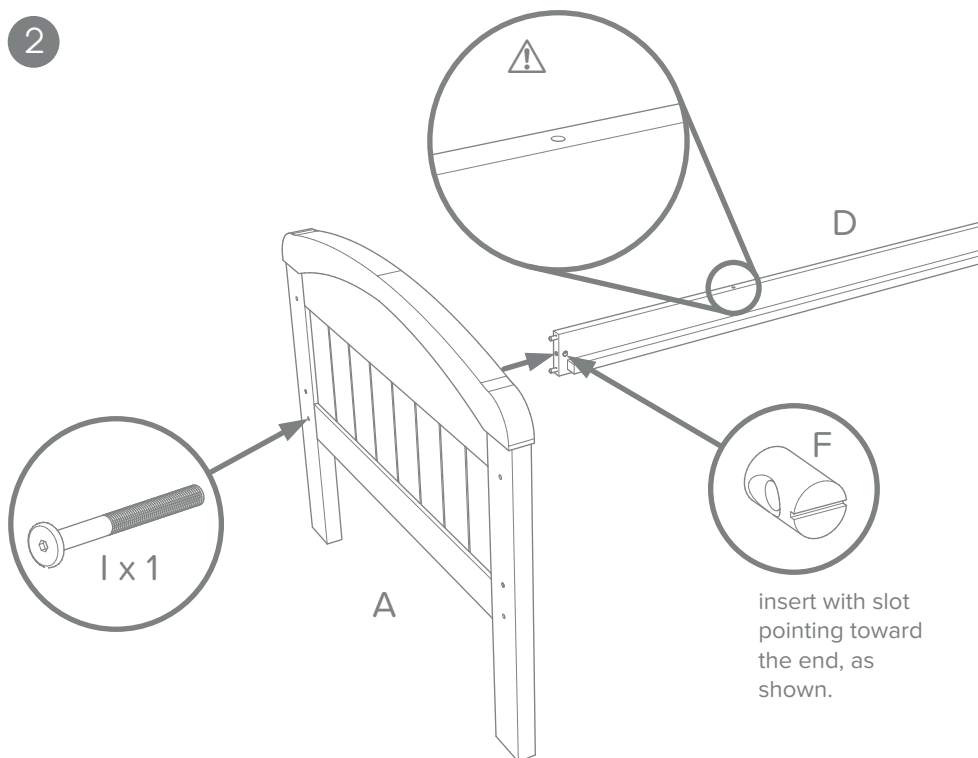


# assembly

1



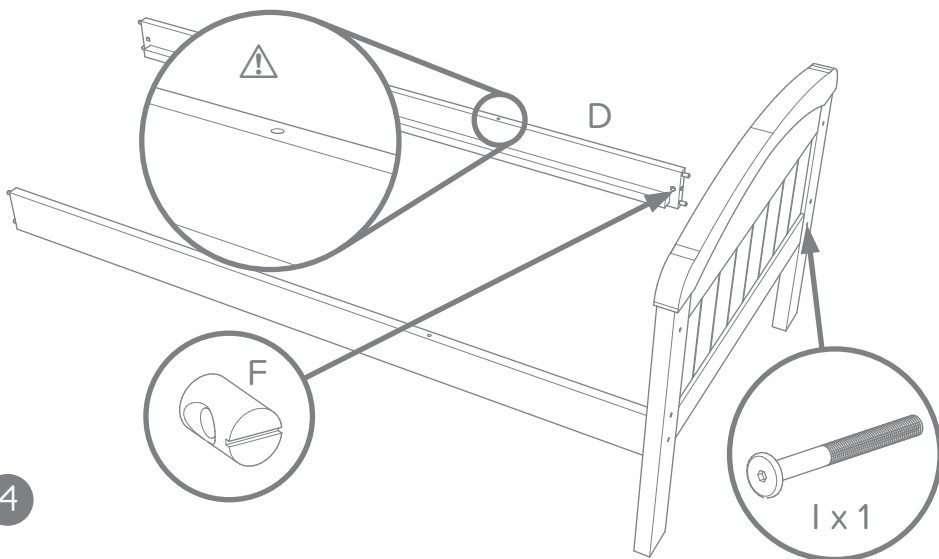
2



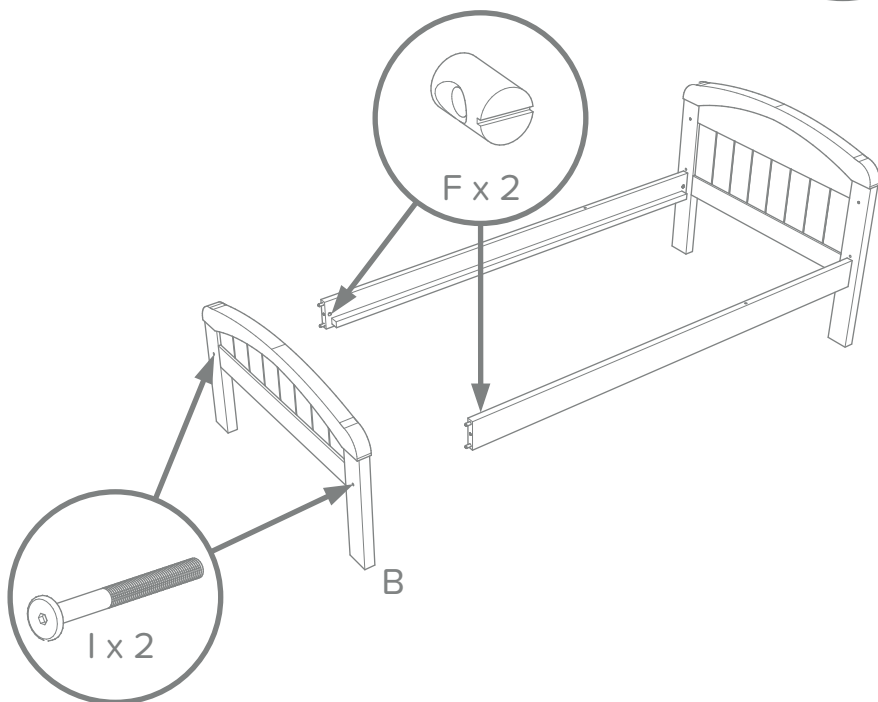
# assembly

---

3



4

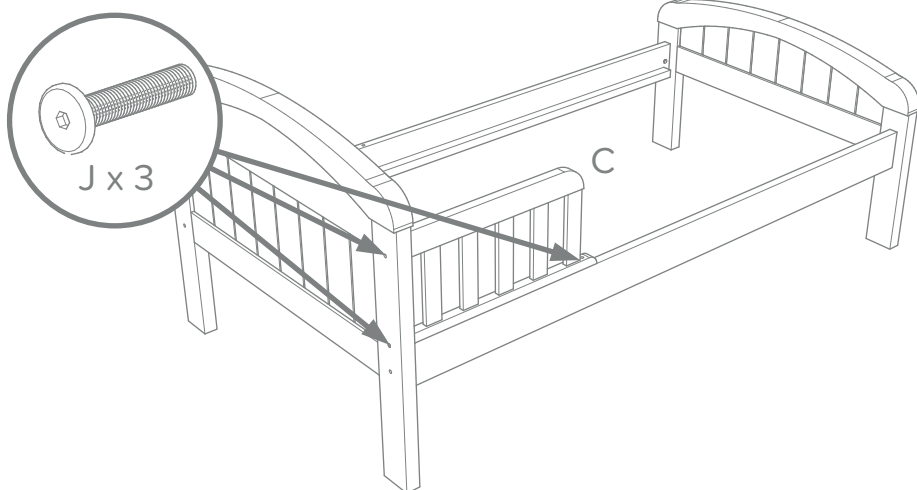


4

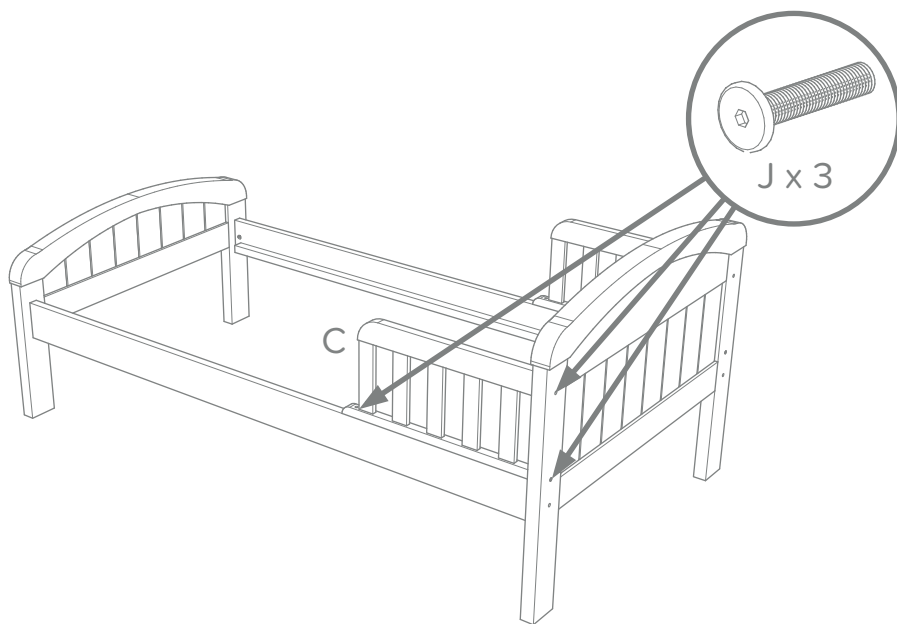
# assembly

---

5



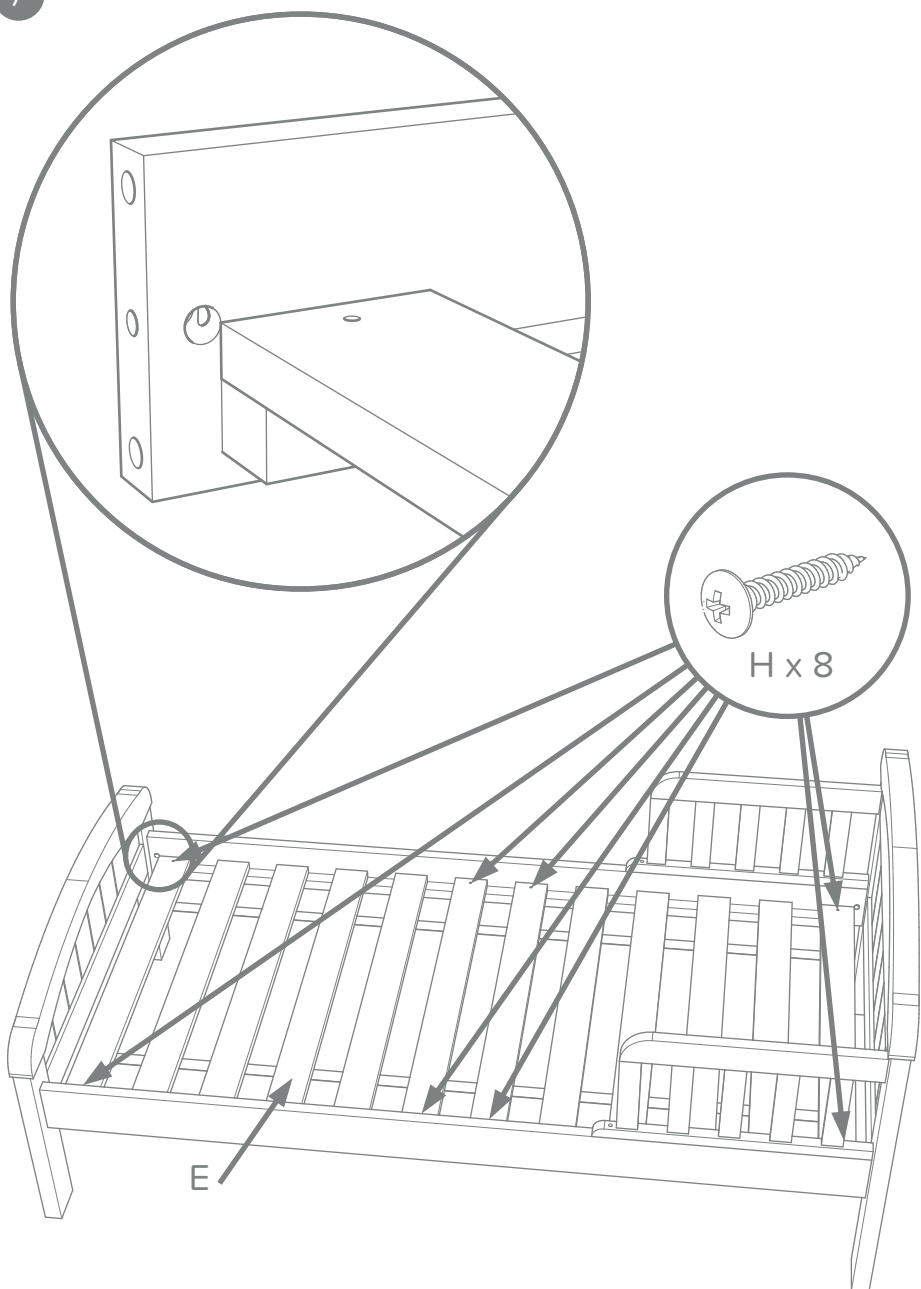
6



# assembly

---

7



# safety

---

- ⚠ WARNING: Do not place this child's bed near heat sources, windows and other furniture.
- ⚠ WARNING: Do not use this child's bed if any of the parts are broken, torn or missing.
- ⚠ This bed is suitable for a child from 18 months until 4 years old.
- ⚠ This child's bed is to be used with a 1400mm x 700mm mattress.
- ⚠ Once the base has been assembled it should not be taken apart. All other sections can be carefully removed for storage or transportation.
- ⚠ Children are likely to play, bounce, jump and climb on beds, therefore the child's bed should not be placed too close to other furniture or windows, blind cords, curtain pulls or other strings or cords. It should be placed either tight to any wall or have a gap of 300mm between the wall and the side of the bed.
- ⚠ Any replacement parts should only be obtained from the manufacturer or distributor.

This product complies to standard BS 8509: 2008 + A1: 2011

# maintenance

---

All assembly fittings should be tightened properly and should be checked regularly and re-tightened as necessary.

# cleaning

---

Your bed can be cleaned by wiping with a damp cloth and drying with a soft clean cloth. Do not use abrasives, bleach, alcohol or ammonia based household polishes.

kiddicare

kiddicare

kiddicare

kiddicare

kiddicare

kiddicare

kiddicare

kiddicare

kiddicare

kiddicare

kiddicare

kiddicare

kiddicare

kiddicare

kiddicare

kiddicare

kiddicare

kiddicare

kiddicare

kiddicare

kiddicare

kiddicare

kiddicare

kiddicare

kiddicare

kiddicare

kiddicare

kiddicare

kiddicare

kiddicare

kiddicare

kiddicare

kiddicare

Kiddicare  
Club Way  
Cygnet Park  
Hampton  
Peterborough  
Cambridgeshire PE7 8JA

kiddicare

Customer Care: [hello@kiddicare.com](mailto:hello@kiddicare.com)

02/14