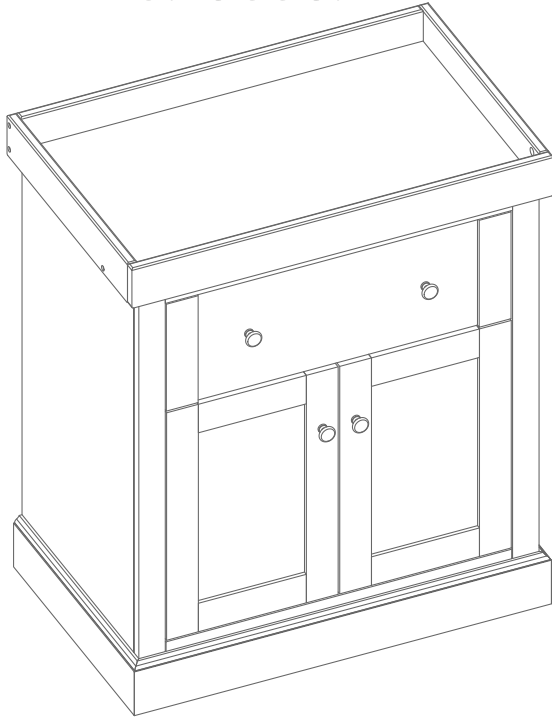


kiddicare

oxfordshire

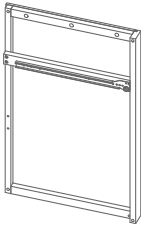
dresser



Important: Keep for future reference. Read carefully

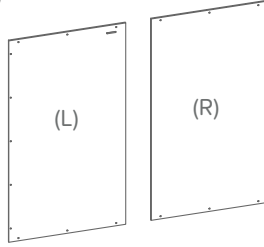
parts

A



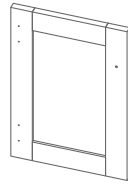
x 2 (L & R)

B



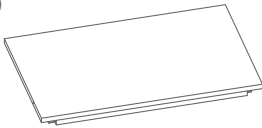
x 2 (L & R)

C



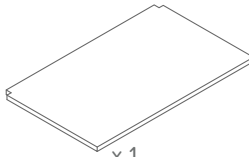
x 2 (L & R)

D



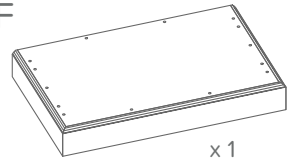
x 1

E



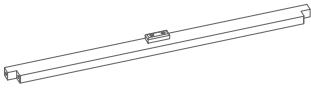
x 1

F



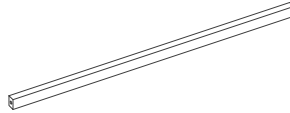
x 1

G



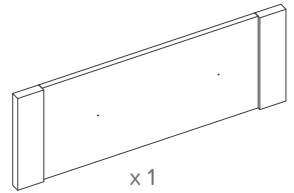
x 1

H



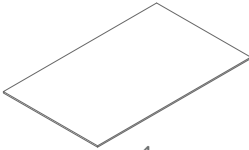
x 1

I



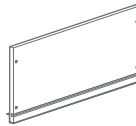
x 1

J



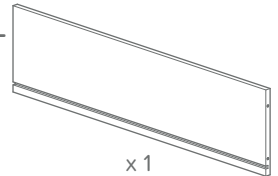
x 1

K



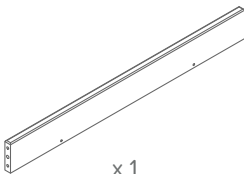
x 2 (1 each L & R)

L



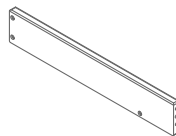
x 1

M



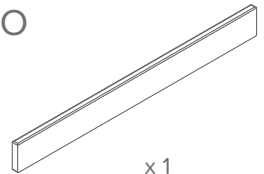
x 1

N



x 2 (1 each L & R)

O



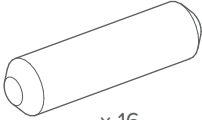
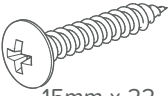

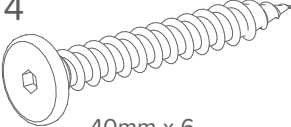

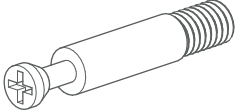
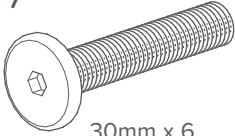
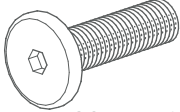
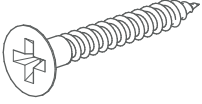
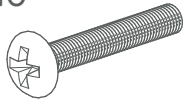
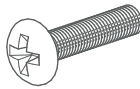

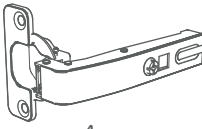
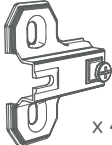
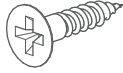
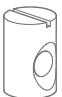
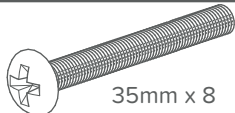
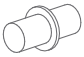
x 1

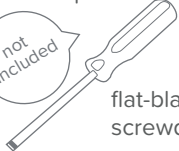
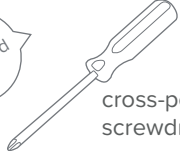

P

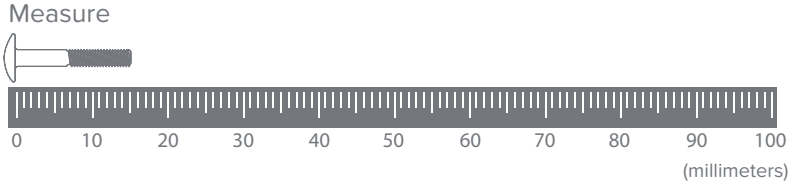


x 1

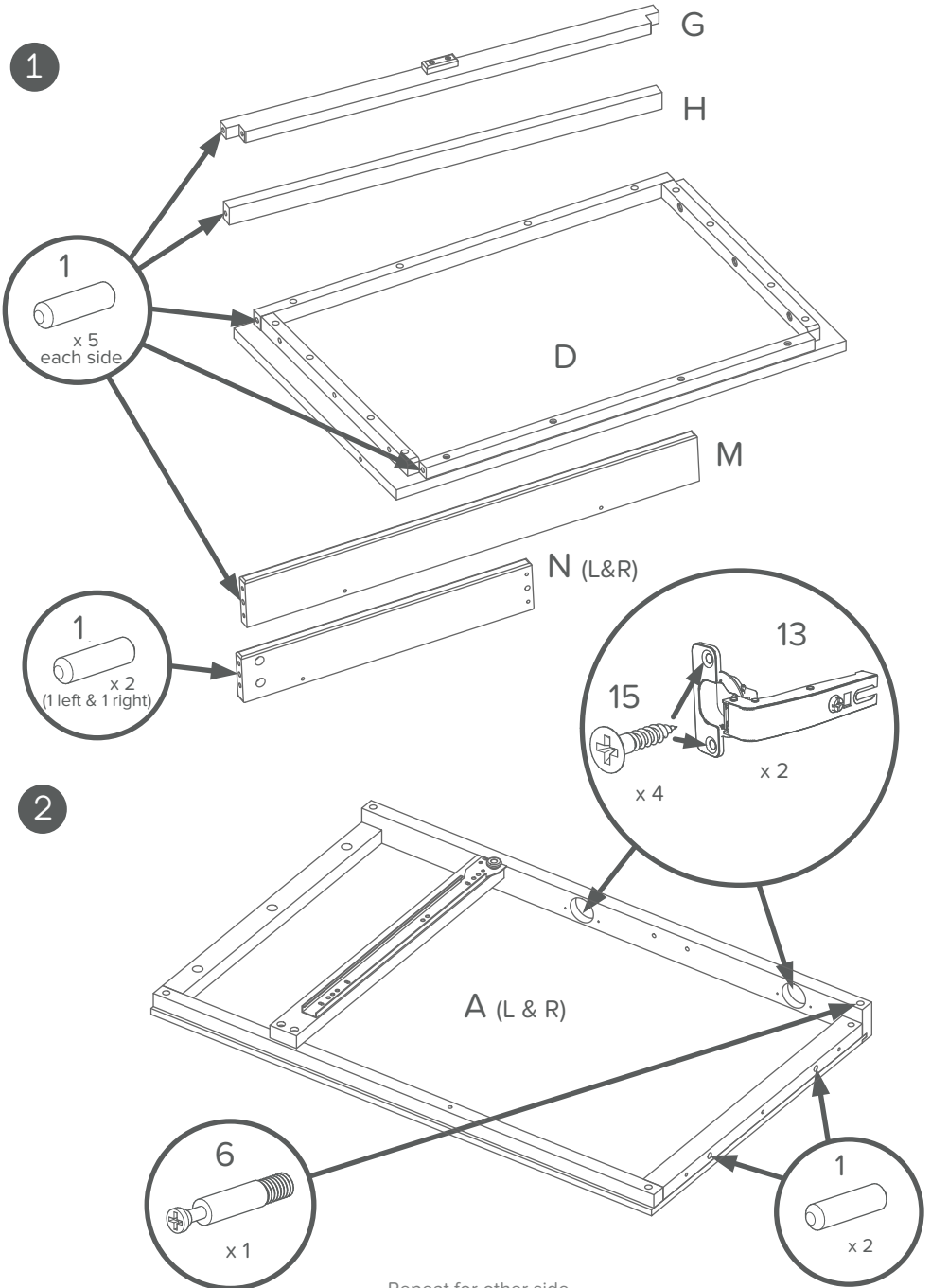
hardware

<p>1</p>  <p>x 16</p>	<p>2</p>  <p>15mm x 22</p>	<p>3</p>  <p>35mm x 4</p>
<p>4</p>  <p>40mm x 6</p>	<p>5</p>  <p>x 6</p>	<p>6</p>  <p>x 6</p>
<p>7</p>  <p>30mm x 6</p>	<p>8</p>  <p>20mm x 4</p>	<p>9</p>  <p>25mm x 4</p>
<p>10</p>  <p>27mm x 2</p>	<p>11</p>  <p>20mm x 2</p>	<p>12</p>  <p>30mm x 4</p>
<p>13</p>  <p>x 4</p>	<p>14</p>  <p>x 4</p>	<p>15</p>  <p>17mm x 16</p>
<p>16</p>  <p>x 4</p>	<p>17</p>  <p>35mm x 8</p>	<p>18</p>  <p>x 4</p>

<p>Tools required</p>  <p>not included</p> <p>flat-bladed screwdriver</p>	 <p>not included</p> <p>cross-point screwdriver</p>	 <p>included</p> <p>hexagon key</p>
--------------------------------------------------------------------------------------------------------------------------------------------------------------	----------------------------------------------------------------------------------------------------------------------------------------	-------------------------------------------------------------------------------------------------------------------------

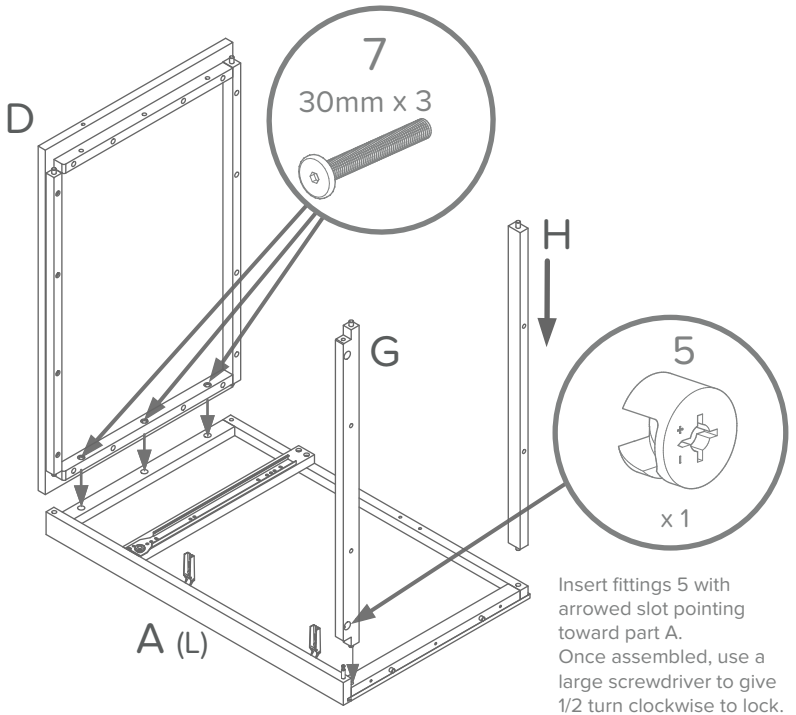


assembly



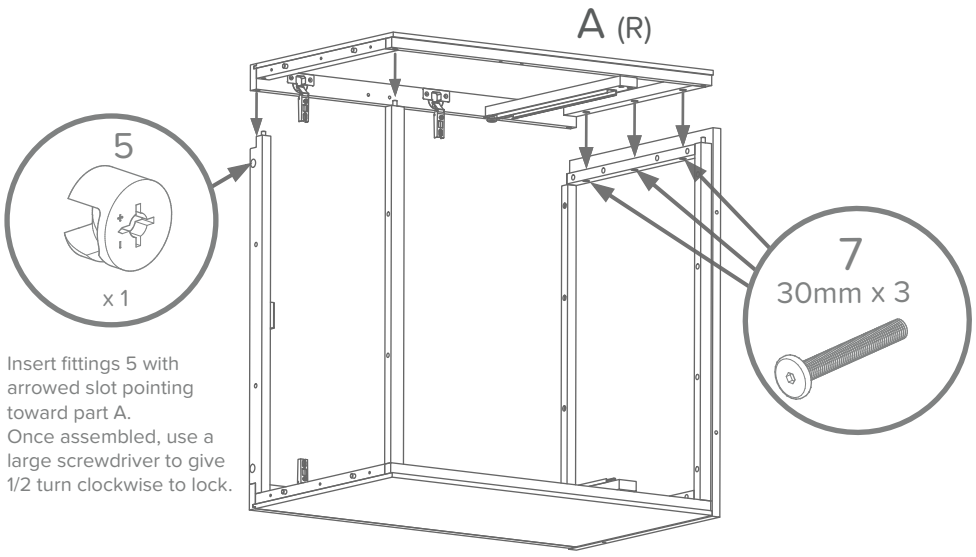
assembly

3



Insert fittings 5 with arrowed slot pointing toward part A. Once assembled, use a large screwdriver to give 1/2 turn clockwise to lock.

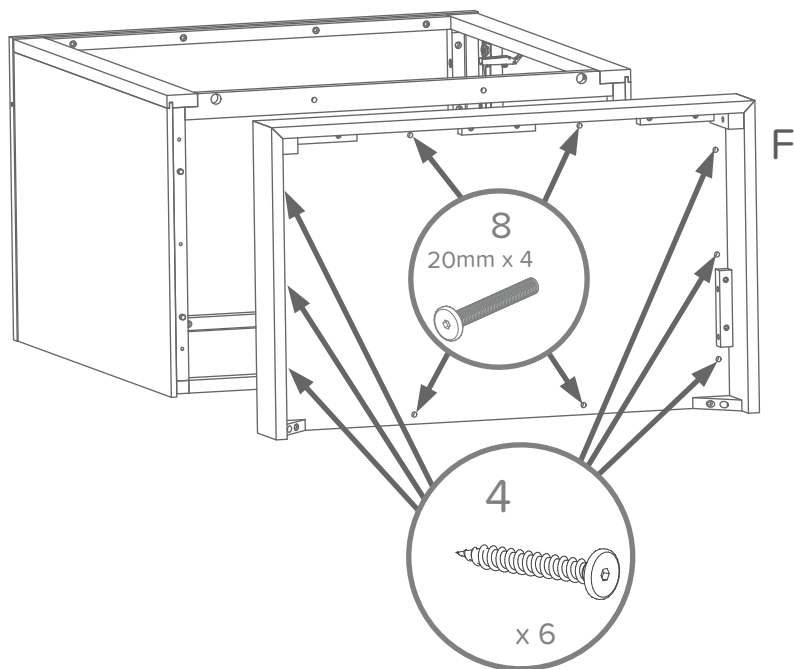
4



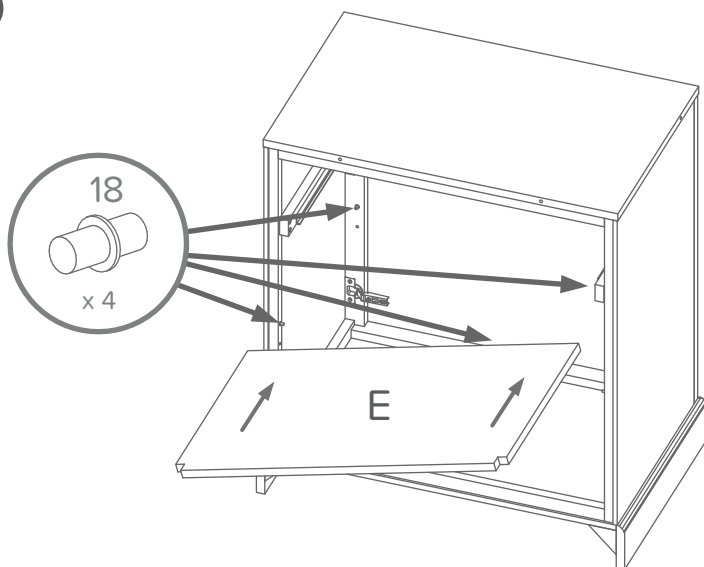
Insert fittings 5 with arrowed slot pointing toward part A. Once assembled, use a large screwdriver to give 1/2 turn clockwise to lock.

assembly

5

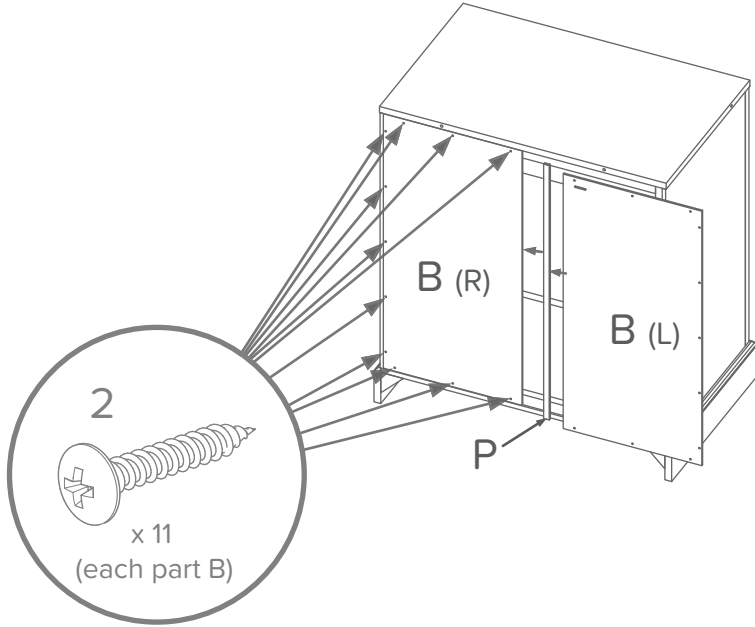


6

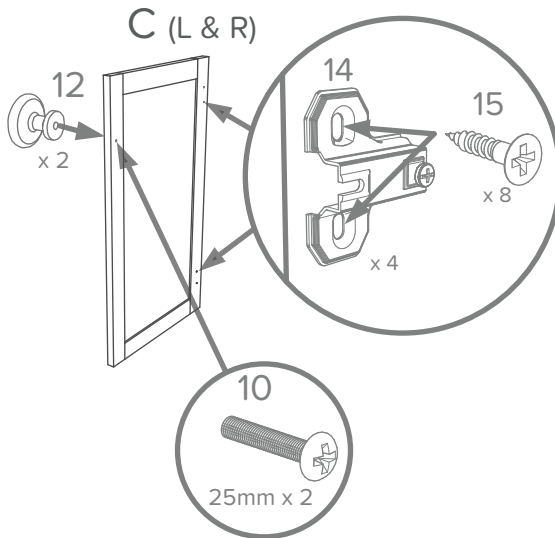


assembly

7

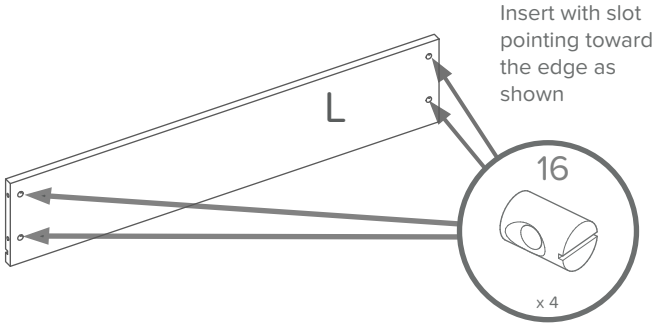
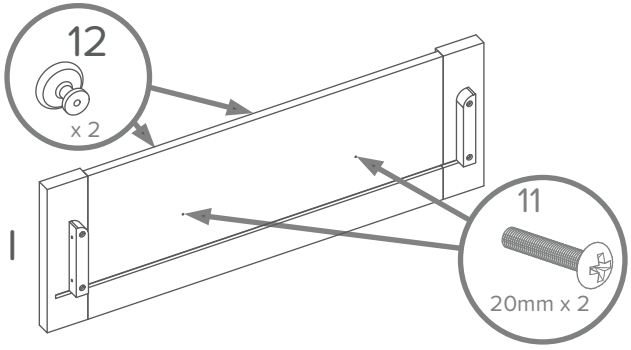


8

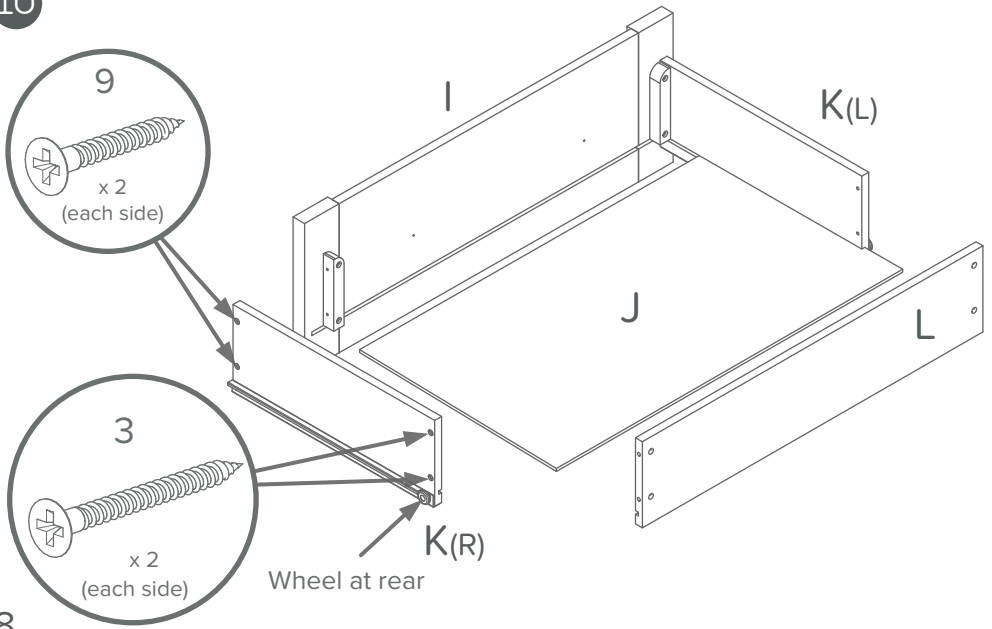


assembly

9



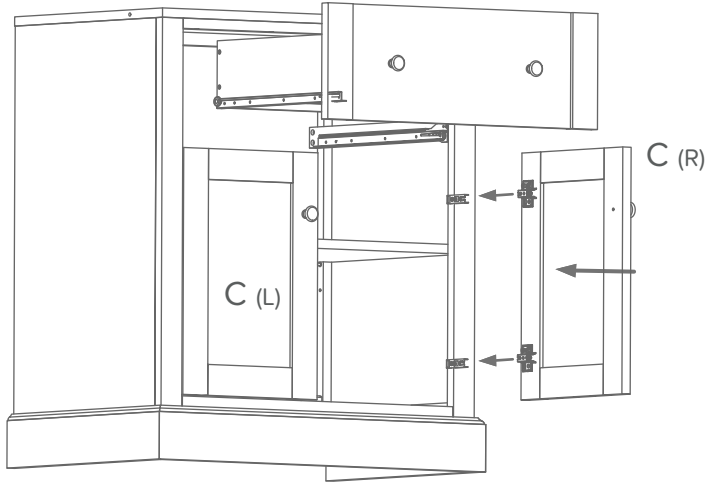
10



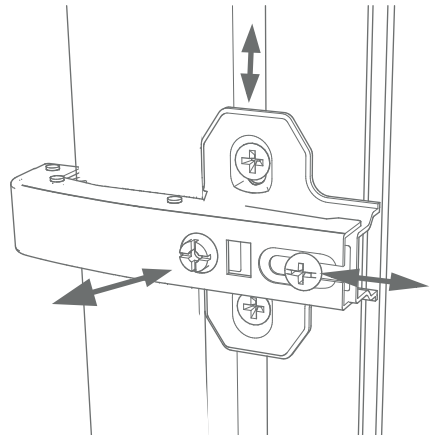
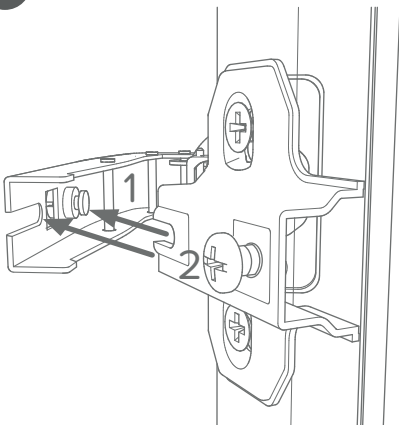
8

assembly

11



12

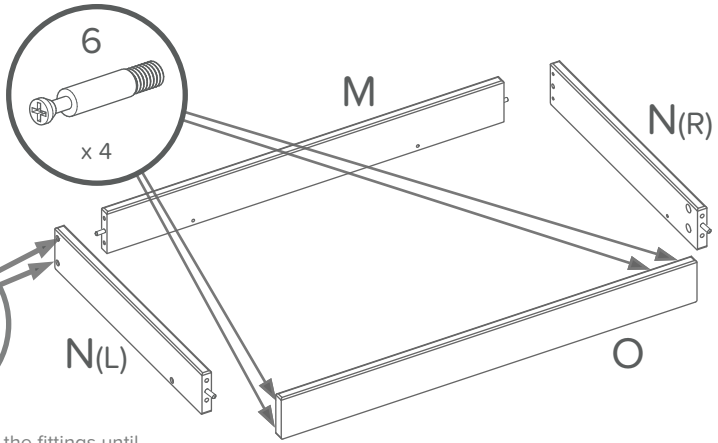


1. The narrow part of the front screw fits into the slot in the metal plate on the dresser door. Loosen the back screw first.
2. The slot in the hinge fits under the rear screw head. Tighten the back screw (2) fully.

Repeat for second door.
Once the dresser is in position, use the screws on the hinges to adjust the fit of the doors. Ensure that the doors are secure before use.

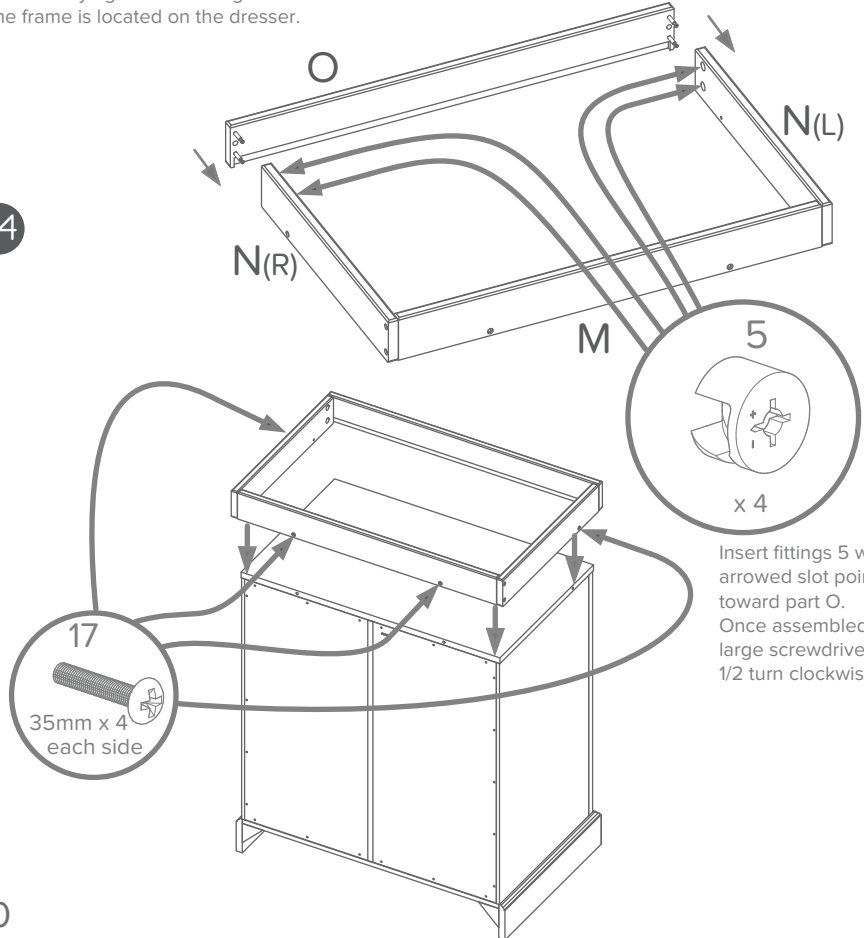
assembly

13



Do not fully tighten the fittings until the frame is located on the dresser.

14

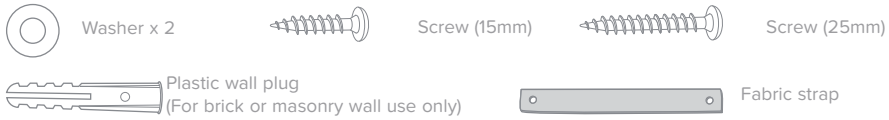


Insert fittings 5 with arrowed slot pointing toward part O.
Once assembled, use a large screwdriver to give 1/2 turn clockwise to lock.

assembly

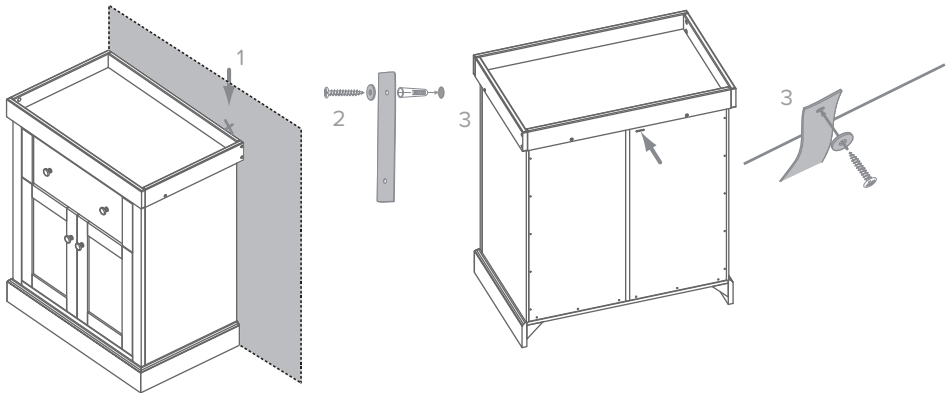
The dresser is supplied with a fixing kit which will secure it and help to guard against accidental tipping.

WARNING : Installation only to be carried out by a competent person.
Check the suitability of the wall before fitting.

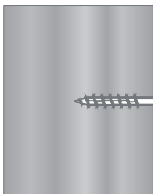


1. Place dresser against the wall where it is to be fitted. Mark the wall 25mm (1") down from the top surface of the changer.
2. Using the 25mm screw, washer and the appropriate wall fixing attach the fabric strap to the marked position.
3. Attach the fabric strap to the dresser frame using the 15mm screw and the washer.

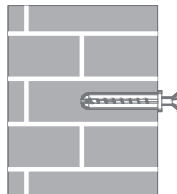
Before use, ensure that the strap is securely fixed to both the wall and the dresser.



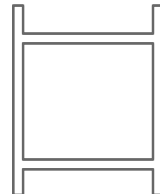
The type of wall fixing you will require depends on the construction of the wall. See below for details.
If in doubt, seek professional advice.



Wood: If fixing to wood make sure that it isn't chipboard as screws can easily pull away the core structure.



Brick or masonry: Use the wall plug, provided you are sure that your wall is sound.



Cavity wall: Special toggle wall plugs needed. Seek expert advice.

safety

WARNING: Do not leave your child unattended.

- ⚠ All assembly fixings should always be tightened properly. Care should be taken that no screws are loose because a child could trap parts of their body, or clothing (e.g. strings, necklaces, ribbons, dummies, etc.) which could pose a risk of strangulation.
- ⚠ Be aware of the risks of open fires and other such sources of strong heat, such as electric bar fires, gas fires, etc. in the near vicinity of the dresser.
- ⚠ Suitable for use with a changing mat of maximum dimensions 76 x 47 cm.
- ⚠ The changing area is suitable for use up to 12 months old or 11kg in weight.
- ⚠ Do not use the dresser if any of the parts are broken, torn or missing.
- ⚠ Any additional or replacement parts can only be obtained from the manufacturer or the distributor.
- ⚠ This product conforms to: BSEN 12221:2008 +A1:2013.
- ⚠ Ensure that the wall strap is used to securely attach the dresser to the wall to prevent tipping.

maintenance

Take care when handling or moving the furniture. Careless handling may cause damage. Regularly check that all fixings are tightened and that there are no broken or damaged parts.

cleaning

Your dresser can be cleaned by wiping with a damp cloth and drying with a soft clean cloth. Do not use abrasives, bleach, alcohol or ammonia based household polishes.

kiddicare

kiddicare

kiddicare

kiddicare

kiddicare

kiddicare

kiddicare

kiddicare

kiddicare

kiddicare

kiddicare

kiddicare

kiddicare

kiddicare

kiddicare

kiddicare

kiddicare

kiddicare

kiddicare

kiddicare

kiddicare

kiddicare

kiddicare

kiddicare

kiddicare

kiddicare

kiddicare

kiddicare

kiddicare

kiddicare

kiddicare

kiddicare

kiddicare

kiddicare

kiddicare

kiddicare

kiddicare

kiddicare

kiddicare

kiddicare

kiddicare

kiddicare

kiddicare

kiddicare

kiddicare

kiddicare

kiddicare

kiddicare

kiddicare

kiddicare

kiddicare

kiddicare

kiddicare

kiddicare

kiddicare

kiddicare

kiddicare

kiddicare

kiddicare

kiddicare

kiddicare

kiddicare

kiddicare

kiddicare

kiddicare

kiddicare

kiddicare

kiddicare

kiddicare

kiddicare

kiddicare

kiddicare

kiddicare

Customer Care: hello@kiddicare.com

06_18