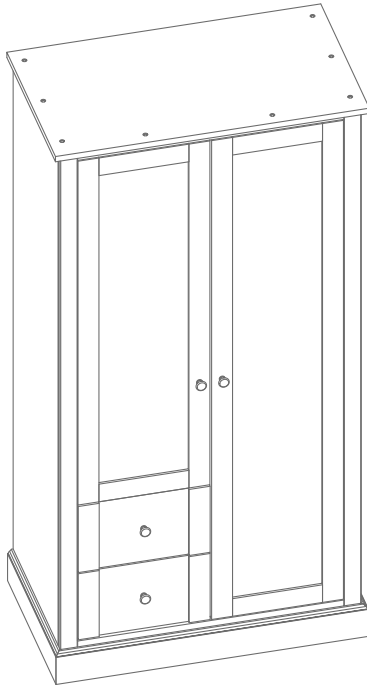


kiddicare

# oxfordshire

---

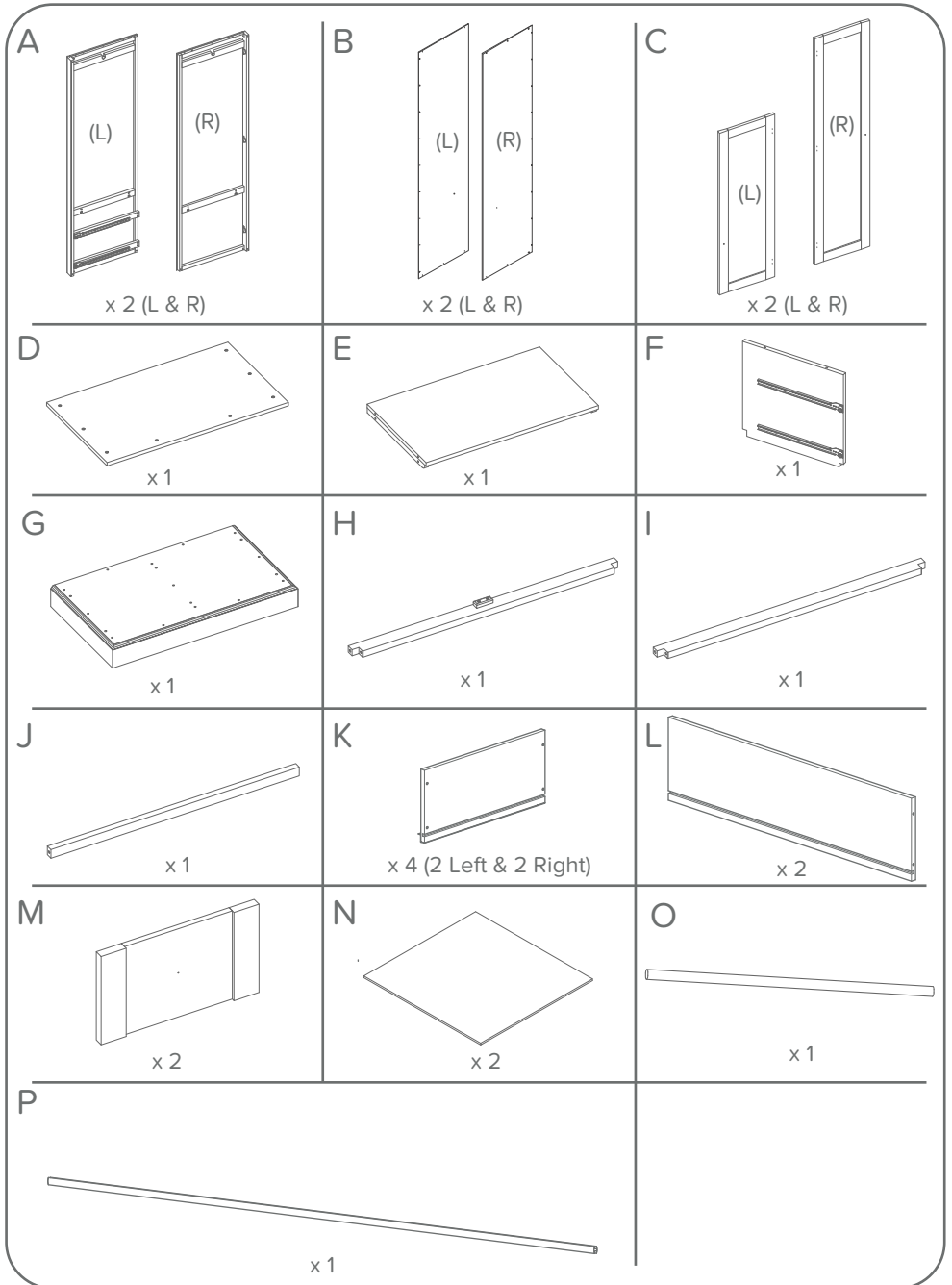
wardrobe



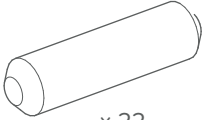
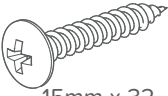
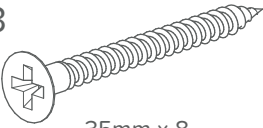
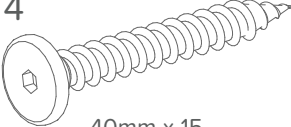

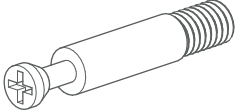
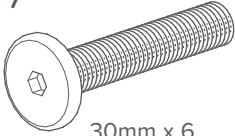
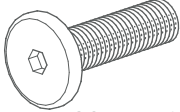
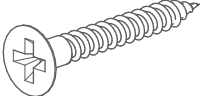
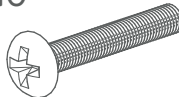
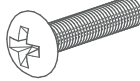

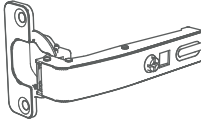
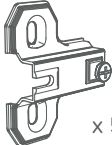
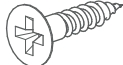

Important: Keep for future reference. Read carefully

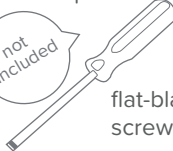
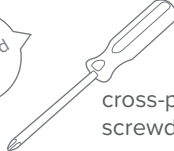

---

# parts

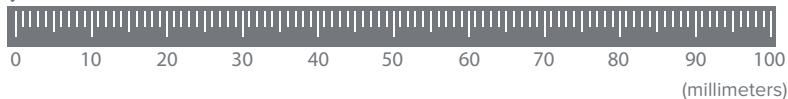


# hardware

<p>1</p>  <p>x 22</p>	<p>2</p>  <p>15mm x 32</p>	<p>3</p>  <p>35mm x 8</p>
<p>4</p>  <p>40mm x 15</p>	<p>5</p>  <p>x 4</p>	<p>6</p>  <p>x 4</p>
<p>7</p>  <p>30mm x 6</p>	<p>8</p>  <p>20mm x 4</p>	<p>9</p>  <p>25mm x 8</p>
<p>10</p>  <p>27mm x 2</p>	<p>11</p>  <p>20mm x 2</p>	<p>12</p>  <p>30mm x 4</p>
<p>13</p>  <p>x 5</p>	<p>14</p>  <p>x 5</p>	<p>15</p>  <p>17mm x 20</p>
<p>16</p>  <p>x 8</p>		

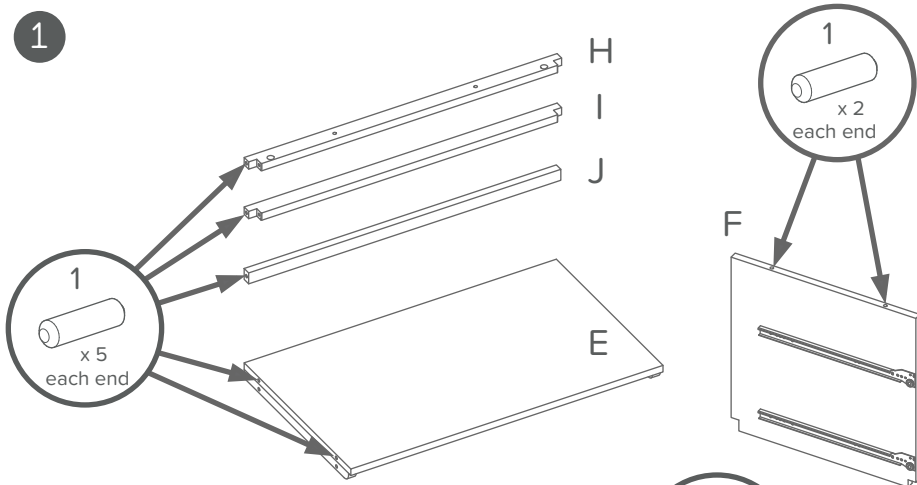
<p>Tools required</p> <p>not included</p>  <p>flat-bladed screwdriver</p>	<p>not included</p>  <p>cross-point screwdriver</p>	<p>included</p>  <p>hexagon key</p>
--	--	---

Measure

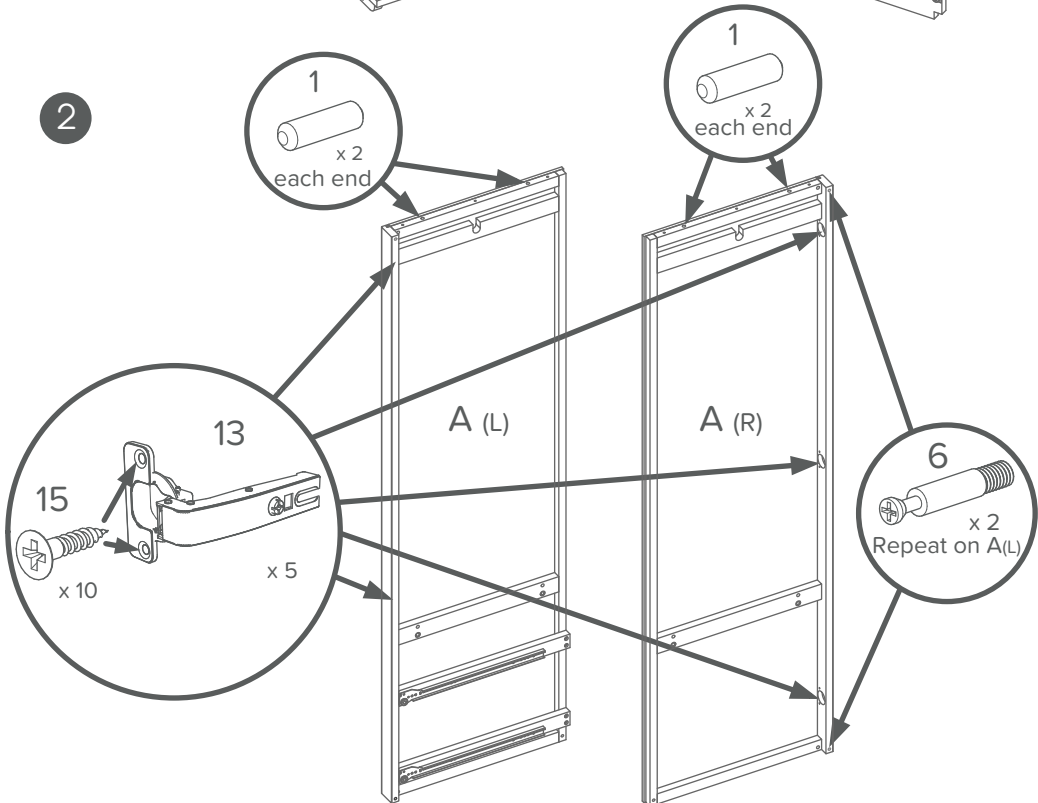


# assembly

1

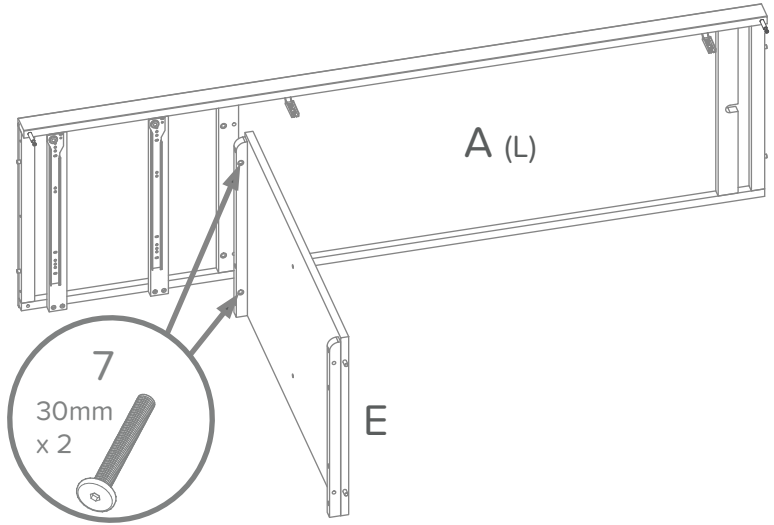


2

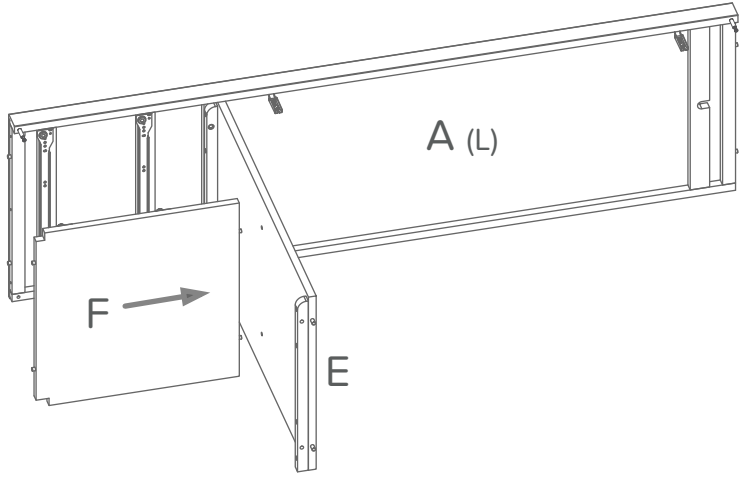


# assembly

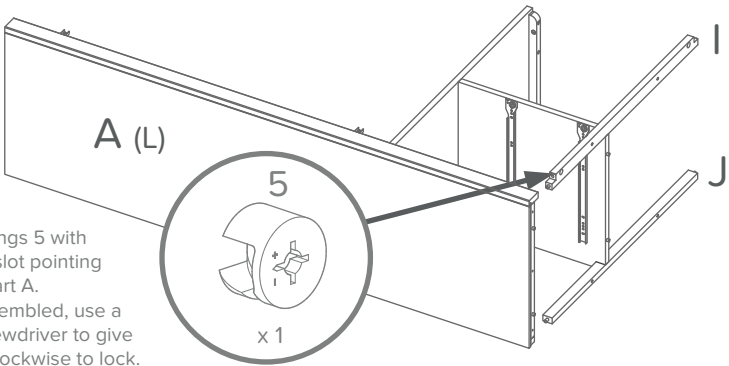
3



4



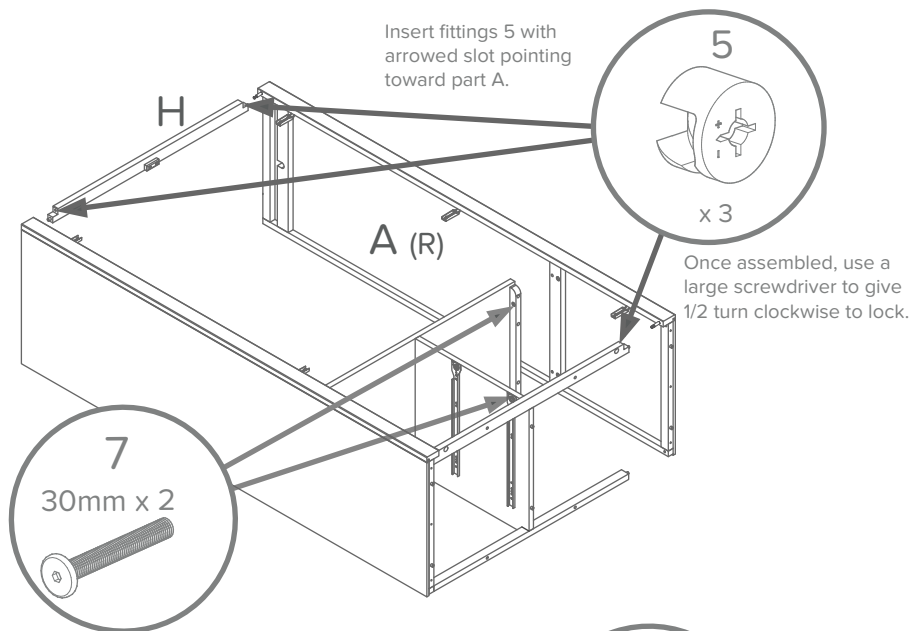
5



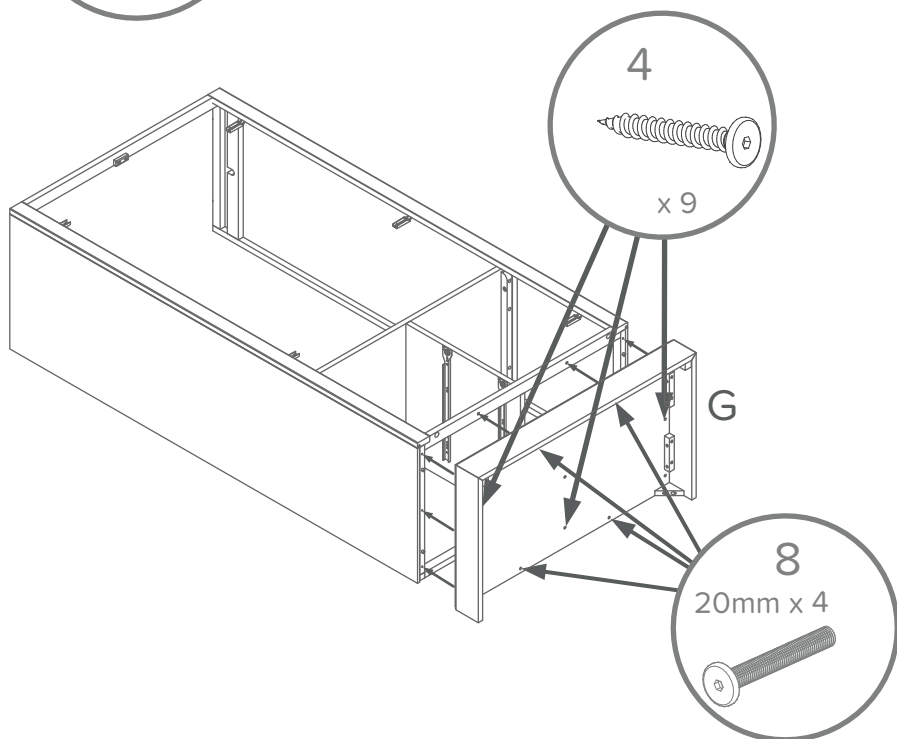
Insert fittings 5 with arrowed slot pointing toward part A.  
Once assembled, use a large screwdriver to give 1/2 turn clockwise to lock.

# assembly

6

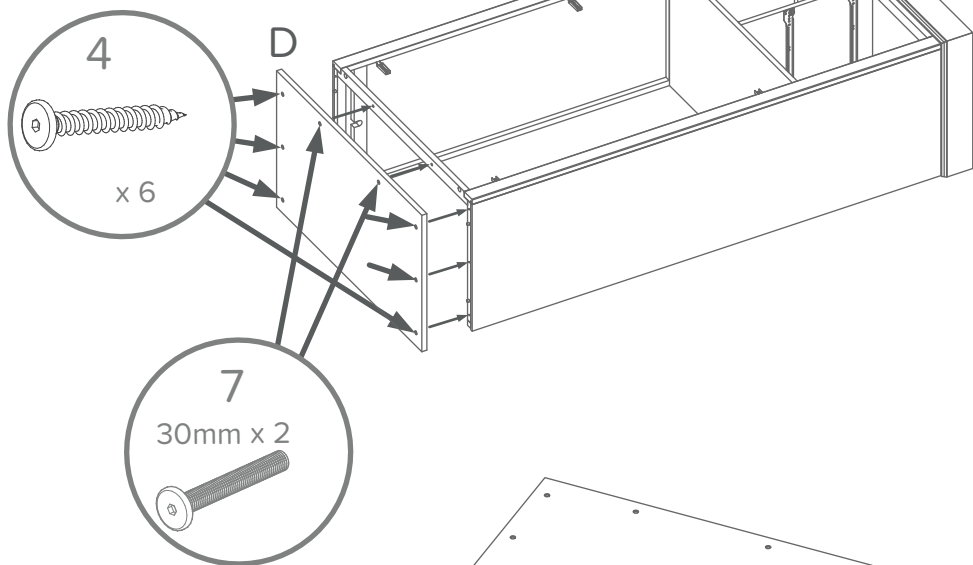


7

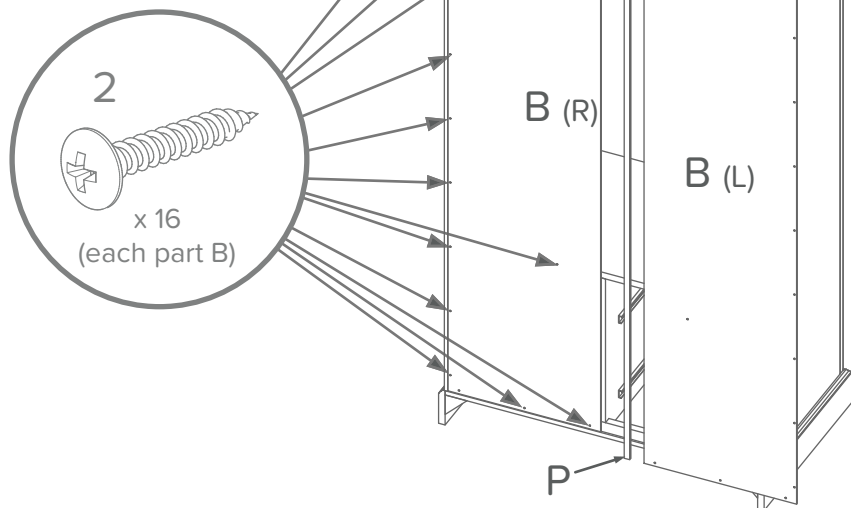


# assembly

8

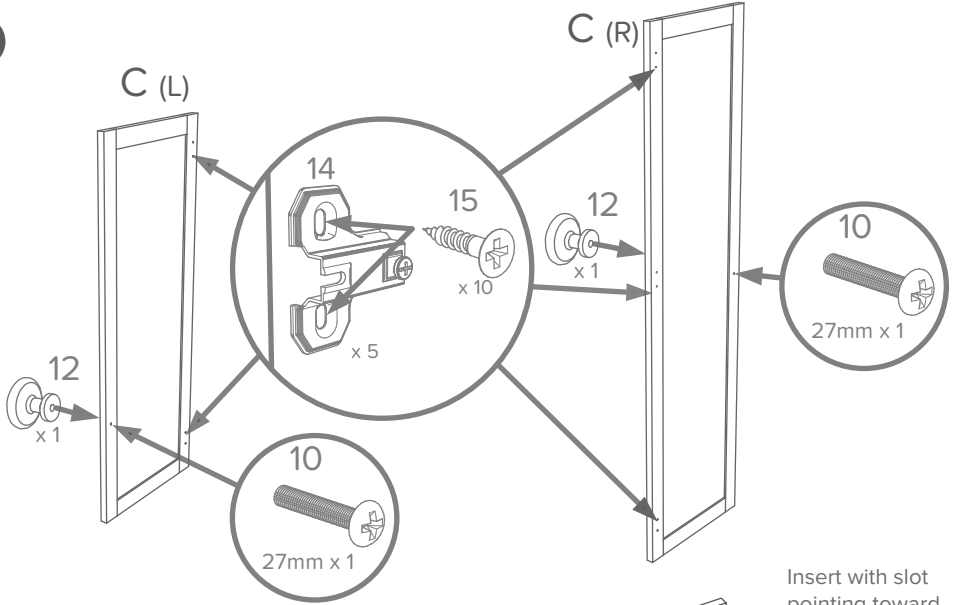


9

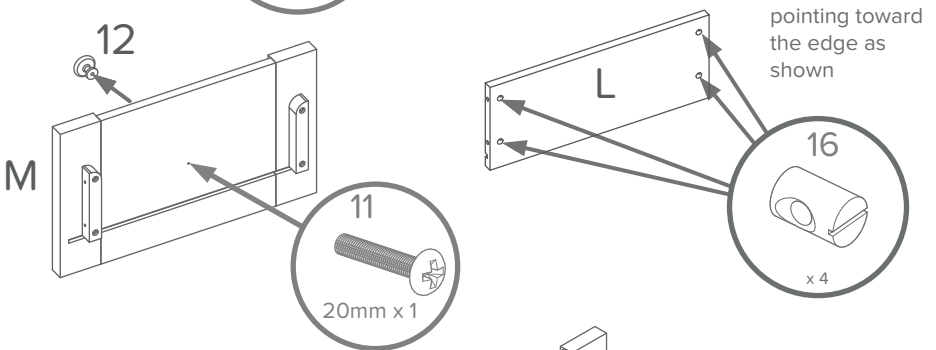


# assembly

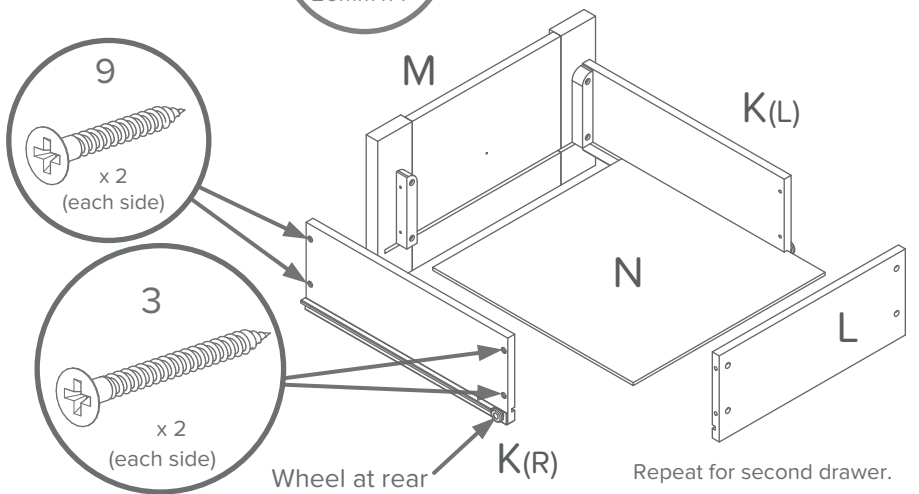
10



11



12

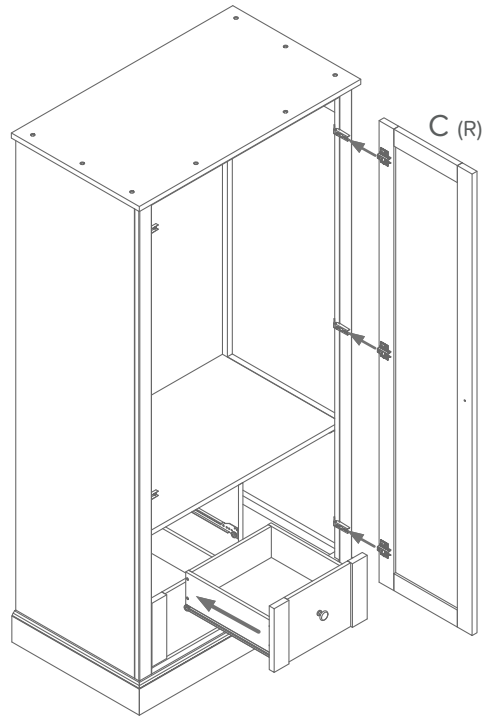
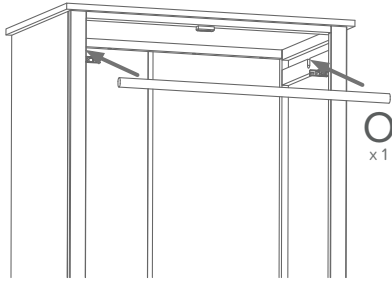


8

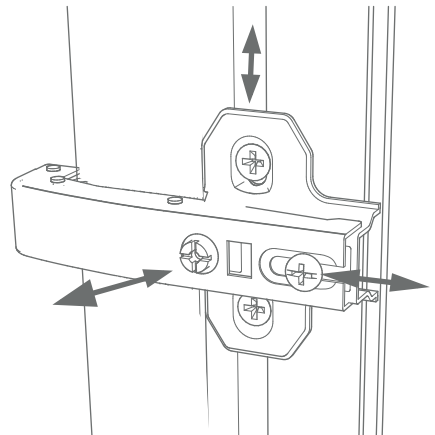
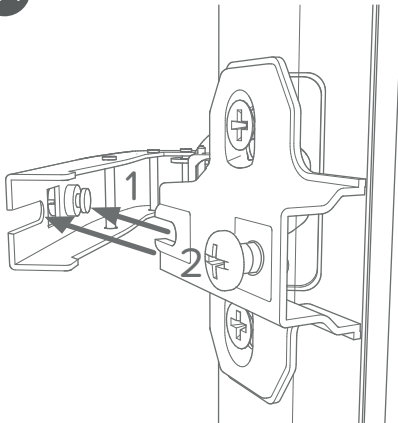


# assembly

13



14



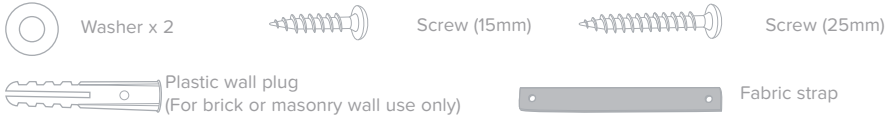
1. The narrow part of the front screw fits into the slot in the metal plate on the wardrobe door, loosen the back screw first.
2. The slot in the hinge fits under the rear screw head. Tighten the back screw (2) fully.

Repeat for second door.  
Once the wardrobe is in position, use the screws on the hinges to adjust the fit of the doors. Ensure that the doors are secure before use.

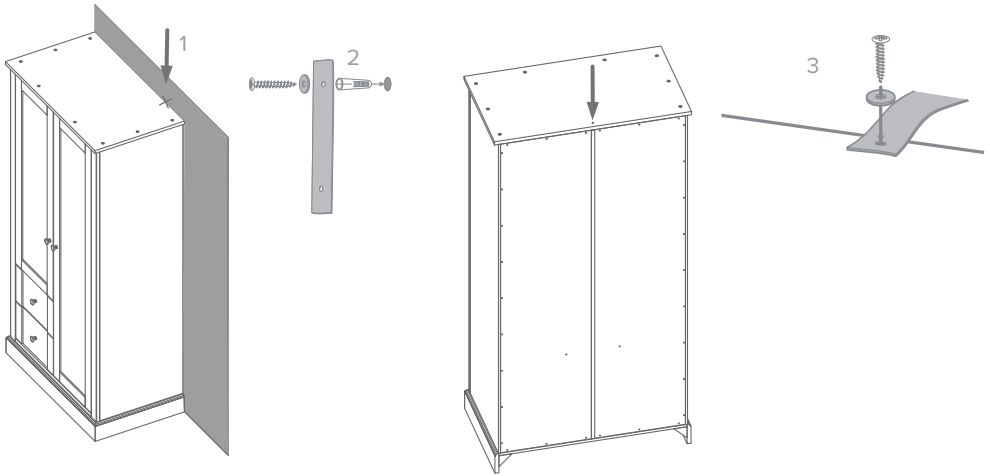
# assembly

The wardrobe is supplied with a fixing kit which will secure it and help to guard against accidental tipping.

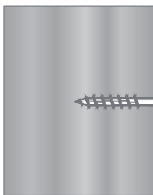
**WARNING :** Installation only to be carried out by a competent person.  
Check the suitability of the wall before fitting.



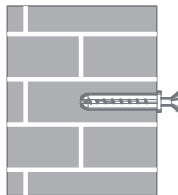
1. Place wardrobe against the wall where it is to be fitted. Mark the wall 25mm (1") down from the top surface.
  2. Using the 25mm screw, washer and the appropriate wall fixing attach the fabric strap to the marked position.
  3. Attach the fabric strap to the wardrobe top using the 15mm screw and the washer (4).
- Before use, ensure that the strap is securely fixed to both the wall and the wardrobe.



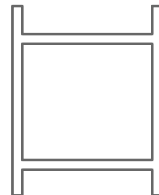
The type of wall fixing you will require depends on the construction of the wall. See below for details.  
If in doubt, seek professional advice.



Wood: If fixing to wood make sure that it isn't chipboard as screws can easily pull away the core structure.



Brick or masonry: Use the wall plug, provided you are sure that your wall is sound.



Cavity wall: Special toggle wall plugs needed. Seek expert advice.

# safety

---

- ⚠ Ensure that the wall strap is used to securely attach the wardrobe to the wall to prevent tipping.
- ⚠ Only use the wardrobe on a stable and level surface.
- ⚠ All assembly fixings should always be tightened properly. Care should be taken that no screws are loose because a child could trap parts of their body, or clothing (e.g. strings, necklaces, ribbons, dummies, etc.) which could pose a risk of strangulation.
- ⚠ Be aware of the risks of open fires and other such sources of strong heat, such as electric bar fires, gas fires, etc. in the near vicinity of the wardrobe.
- ⚠ Do not use if any of the parts are broken, torn or missing.

# maintenance

---

Take care when handling or moving the furniture. Careless handling may cause damage. Regularly check that all fixings are tightened and that there are no broken or damaged parts.

Any additional or replacement parts can only be obtained from the manufacturer or the distributor.

# cleaning

---

Your wardrobe can be cleaned by wiping with a damp cloth and drying with a soft clean cloth. Do not use abrasives, bleach, alcohol or ammonia based household polishes.

kiddicare

kiddicare

kiddicare

kiddicare

kiddicare

kiddicare

kiddicare

kiddicare

kiddicare

kiddicare

kiddicare

kiddicare

kiddicare

kiddicare

kiddicare

kiddicare

kiddicare

kiddicare

kiddicare

kiddicare

kiddicare

kiddicare

kiddicare

kiddicare

kiddicare

kiddicare

kiddicare

kiddicare

kiddicare

kiddicare

kiddicare

kiddicare

kiddicare

kiddicare

Customer Care: [hello@kiddicare.com](mailto:hello@kiddicare.com)

06\_18