

PRODUCT DESCRIPTION

Soho 4 Drawer Chest, 90x40x95cm, high gloss PU finish White.

DEAR CUSTOMER



Thank you for purchasing your new piece of furniture from Dunelm.

We put a lot of effort in the design and construction of our products to ensure they set the standard for quality, durability and ease of assembly.

If for any reason you feel we haven't lived up to the high standards we set ourselves, please don't hesitate in contacting us on 03451 656565 where our team will be very keen to understand what has gone wrong and, more importantly, put it right.

The Next Step...

There is no need to feel daunted by the number of parts and fittings in front of you, we have compiled this straight forward, step-by-step guide to make sure that assembling your furniture is as easy as 1, 2, 3.

Before you begin, we advise that you check that you have everything you need to get started.

TOP TIP

Find a space to spread everything out across the floor before you begin assembling the item. Lay each panel down on a clean and level area, ideally in the room of intended use, ensuring there is enough room to manoeuvre around the item. It is recommended that two people assemble this product together.

The full list of furniture parts, fixtures and fittings, as well as the tools you will need for assembly can be found on page 2, 3 and 4 of this manual.

TOP TIP

Identify all of the fittings, make sure that you have them all prepared and familiarise yourself with each component, to make things easier when you are putting it all together.

Safety and Care Advice

IMPORTANT - The first step you need to take is to ensure your safety!

Please take the time to read and understand these instructions before assembling your furniture.

Please keep these instructions for future reference.

Keep children and animals away from the assembly area.

This furniture contains small parts that could cause choking if swallowed.

Keep all plastic wrapping materials away from babies and children to avoid danger of suffocation.

Ensure that all packaging is disposed of carefully and responsibly.

From time to time check that there are no loose fittings on the unit, re-tighten when necessary.

Two people may be required for the assembly of this product.

Once items are part or fully assembled they are not returnable unless faulty.

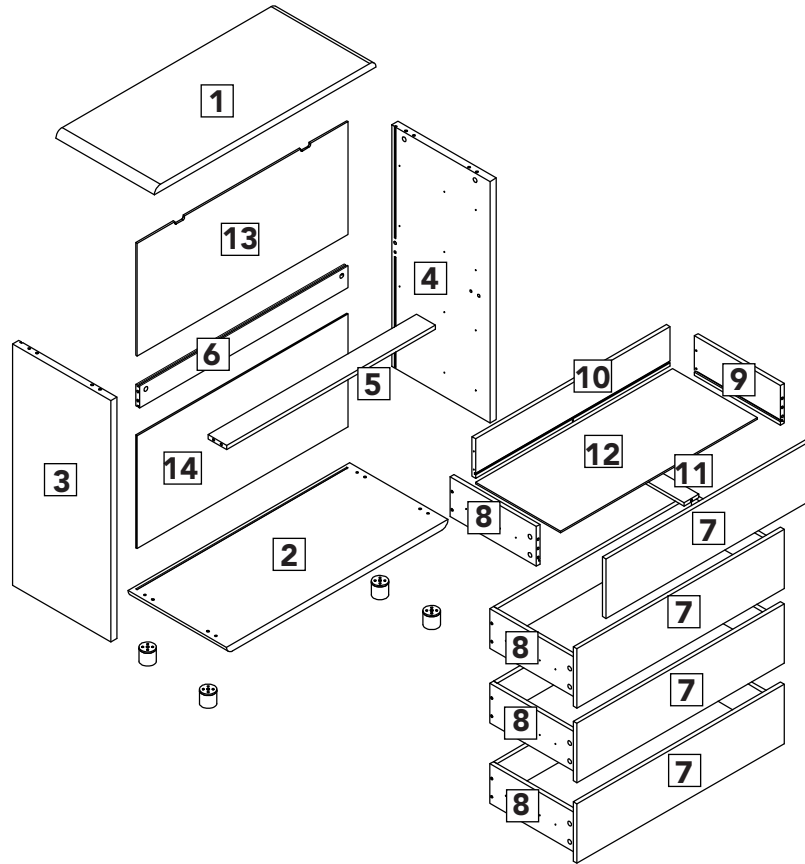
This item is not for outdoor use – unless stated otherwise.

Some items will be supplied with a wall fixing strap, which we recommend is used to secure the item to the wall, to prevent a child from accidentally pulling furniture over.

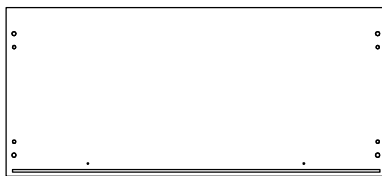
Furniture can be dangerous if incorrectly installed. Assembly should be carried out by a competent person. No liability will be accepted for damage or injury caused by incorrectly installed or assembled furniture.

Parts & Fittings for Soho 4 Drawer Chest (30213106)

Panel - exploded view



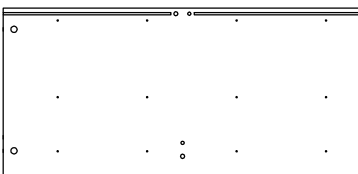
Panels - plan view



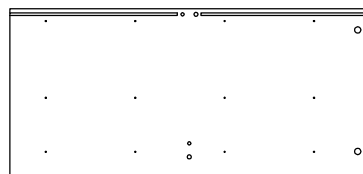
1 Top panel(90x40cm)



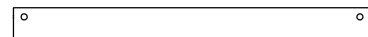
2 Bottom panel(90x40cm)



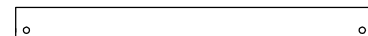
3 Left side panel
(85x39.9cm)



4 Right side panel
(85x39.9cm)

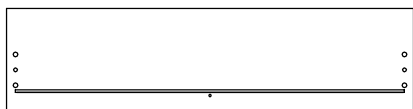


5 Front rail
(84.7x7.6cm)

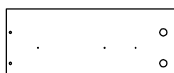


6 Back rail
(84.7x7.6cm)

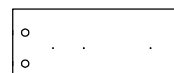
Panels - plan view



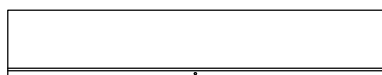
7 Drawer front x4
(84.2x20.9cm)



8 Left drawer side x4
(35x14cm)



9 Right drawer side x4
(35x14cm)



10 Drawer back panel x4
(79x14cm)



11 Drawer bottom bar x4
(33.5x6cm)



12 Drawer bottom x4
(80x34.5cm)

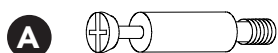


13 Upper back panel
(85.7x39.7cm)



14 Lower back panel
(85.7x39.7cm)

Fittings



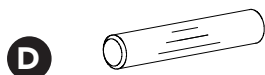
A 33mm Connecting bolt x24



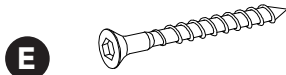
B 15mm locking cam x24



C Cap x24



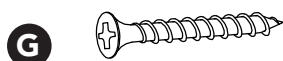
D 8mm Wooden dowel x20



E 48mm Screw x4



F 15mm Screw x68



G 30mm Screw x20



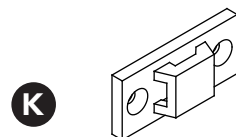
H Rear panel connector x8



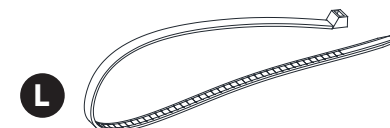
I 18mm Screw x8



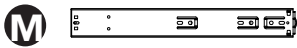
J Allen key x1



K Plastic Bracket x4



L 340mm Plastic Cable Tie x2



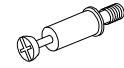
350mm Runner x8



Leg x4



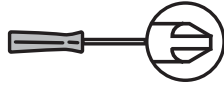
28mm Connecting bolt x4



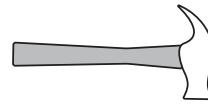
13mm Locking cam x4



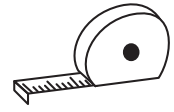
Tools required



Cross slot screwdriver



Hammer



Tape measure

The use of power tools to assemble the product is not recommended due to the risk of over tightening fixings .

Before you start

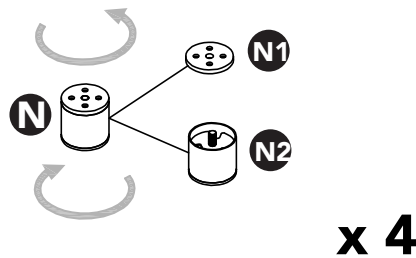
Check the pack and make sure you have all the parts listed above. If not, contact the helpline on 03451 656565 who will be able to help you.

When you are ready and sure that you have the right tools to hand, you will need plenty of space and a clean dry area for assembly.

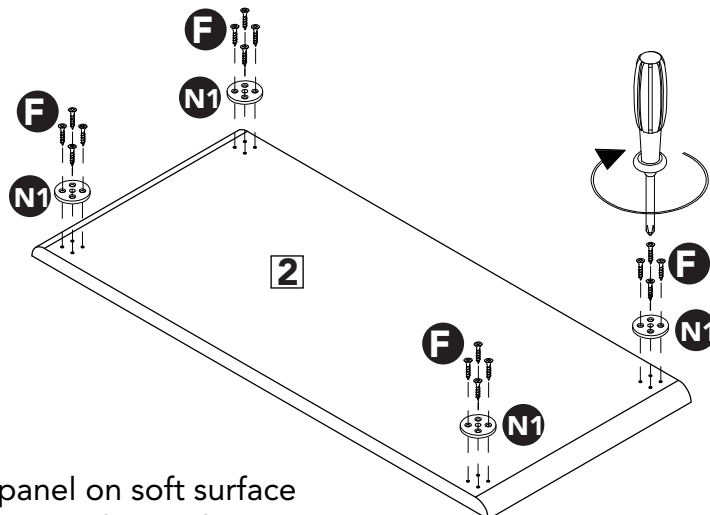
Ready?

Follow this step-by-step guide

1

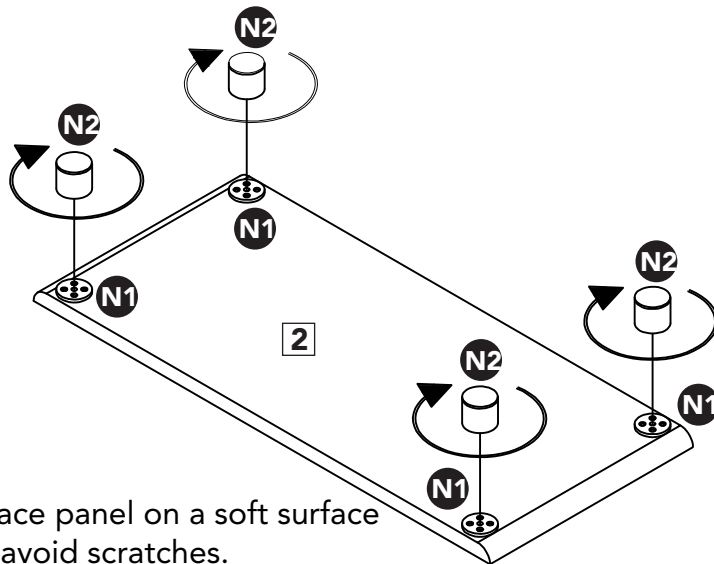


2



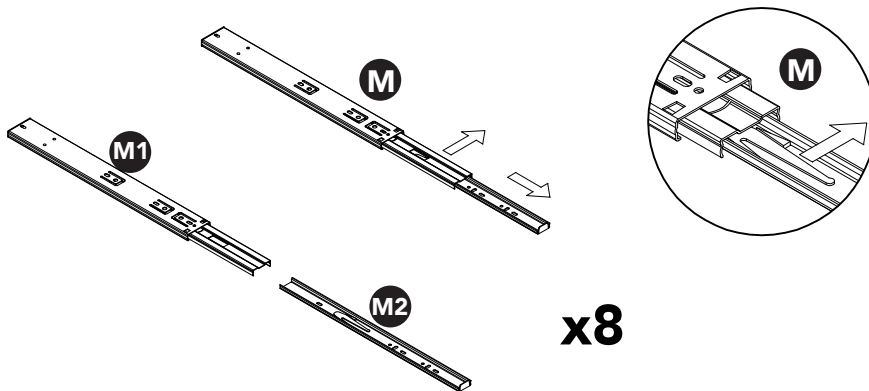
Note: Please place panel on soft surface like a carpet to avoid scratches.

3



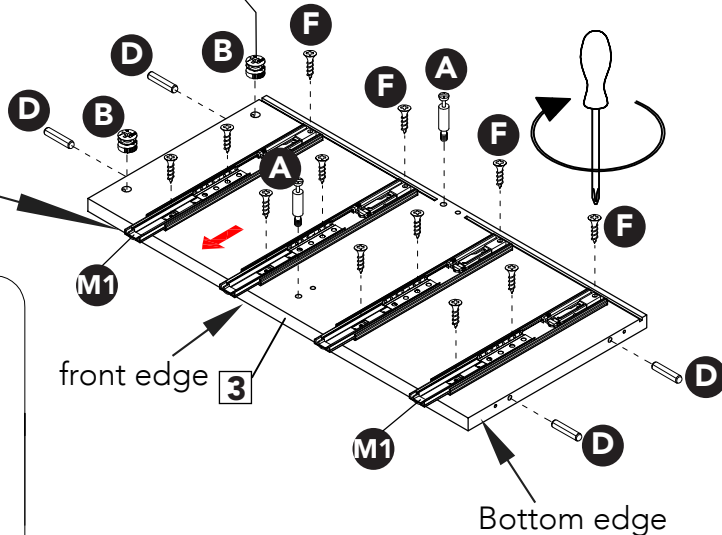
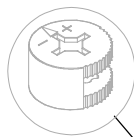
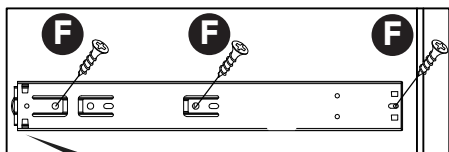
Note: Please place panel on a soft surface like a carpet to avoid scratches.

4

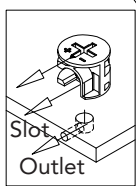


5

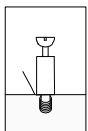
Note: Please place panel on a soft surface like a carpet to avoid scratches.



This end to the front edge of the panel



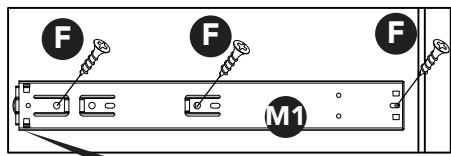
Fully insert locking cams on the boards, the slot always points to the outlet of holes.



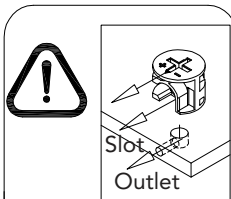
Screw connecting bolts as far as shown. Do not over tighten.

6

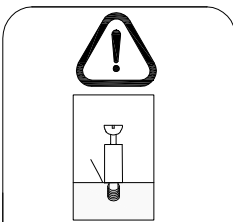
Note: Please place panel on a soft surface like a carpet to avoid scratches.



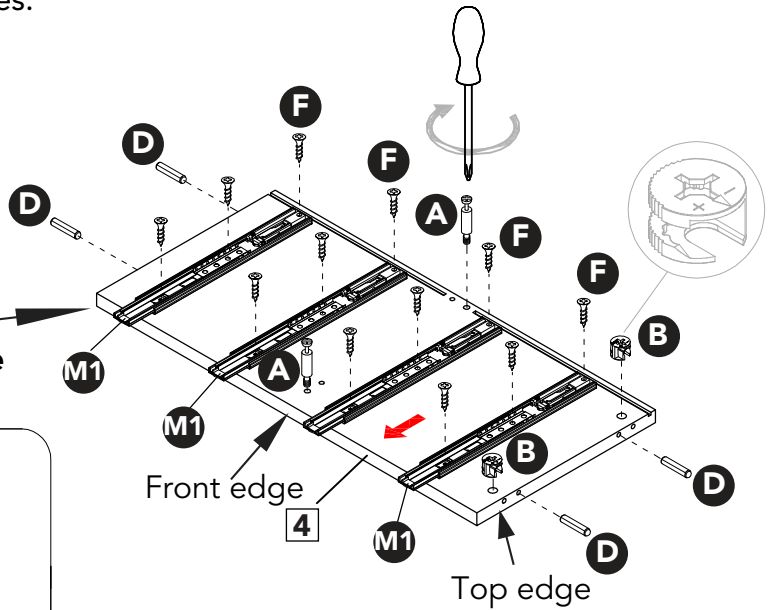
This end to the front edge of the panel



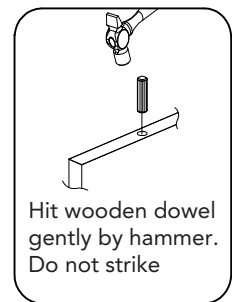
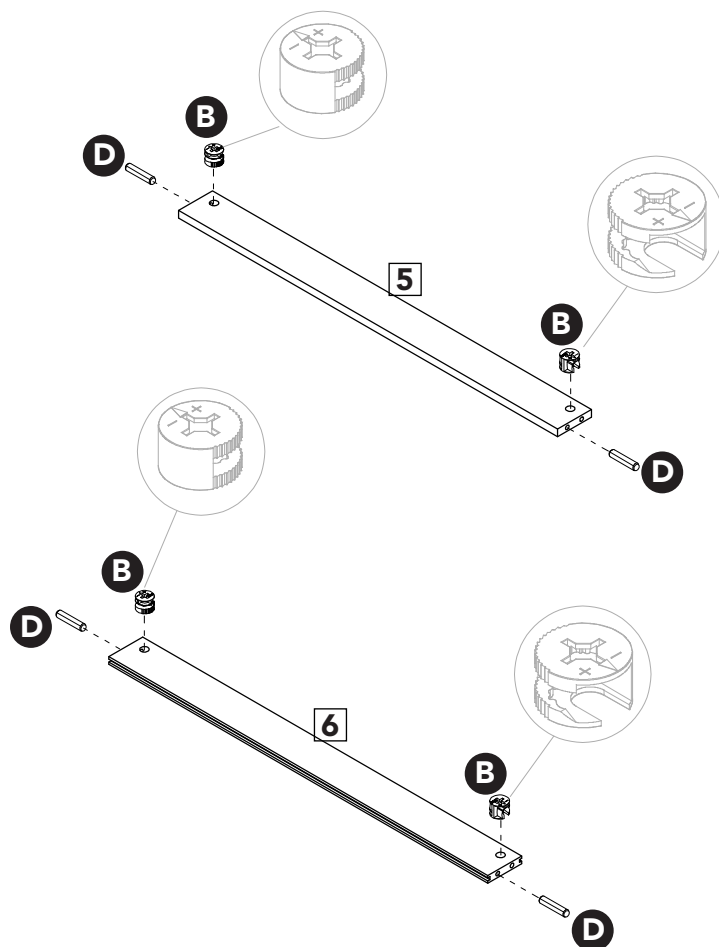
Fully insert locking cams on the boards, the slot always points to the outlet of holes.



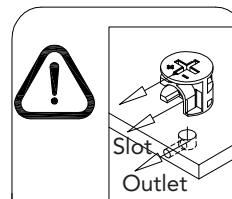
Screw connecting bolts as far as shown. Do not over tighten.



7



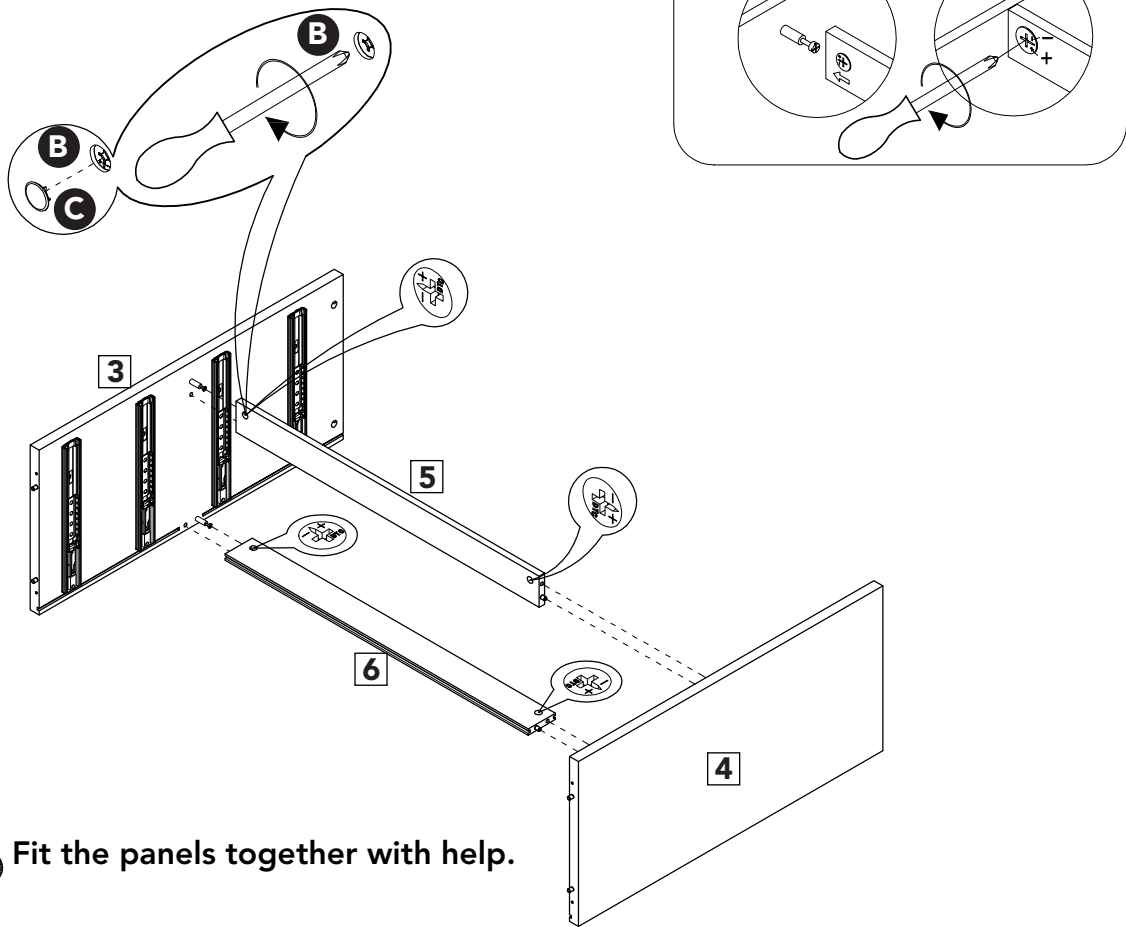
Hit wooden dowel gently by hammer. Do not strike



Fully insert locking cams on the boards, the slot always points to the outlet of holes.

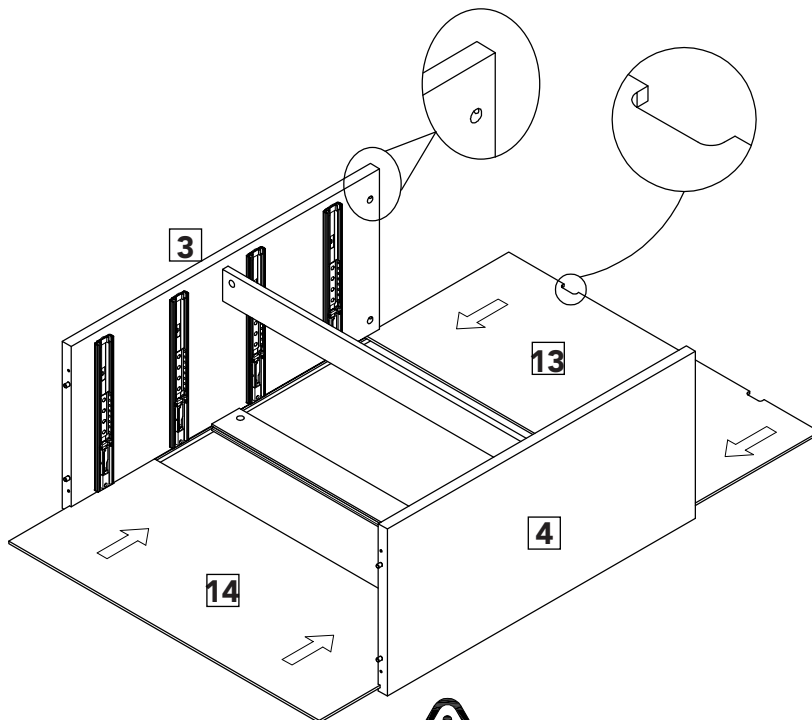
8

Note: Please place panel on a soft surface like a carpet to avoid scratches.



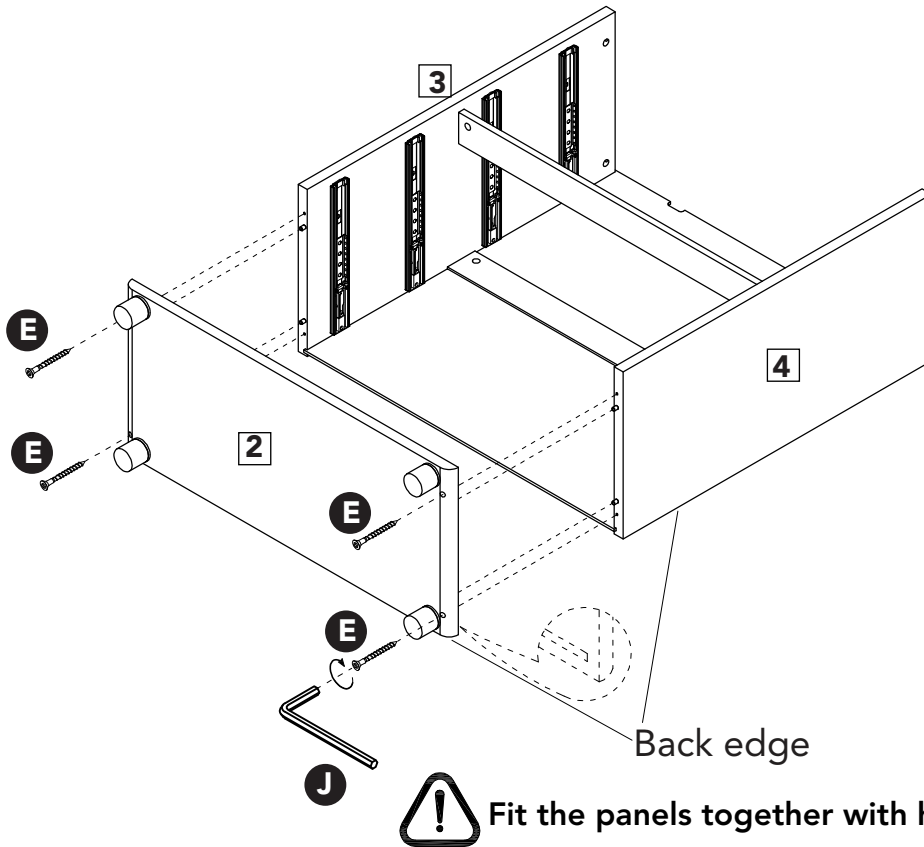
Fit the panels together with help.

9



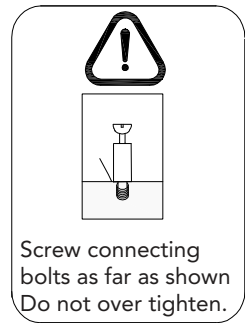
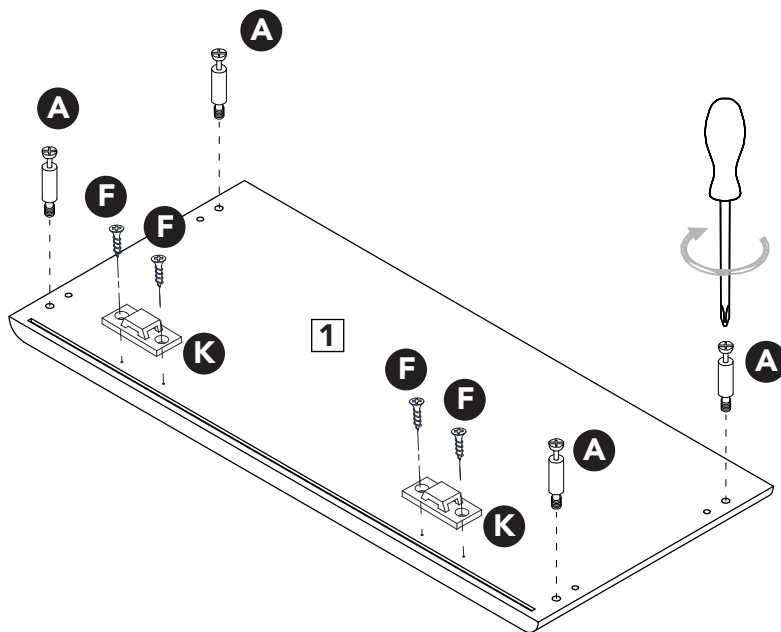
Fit the panels together with help.

10

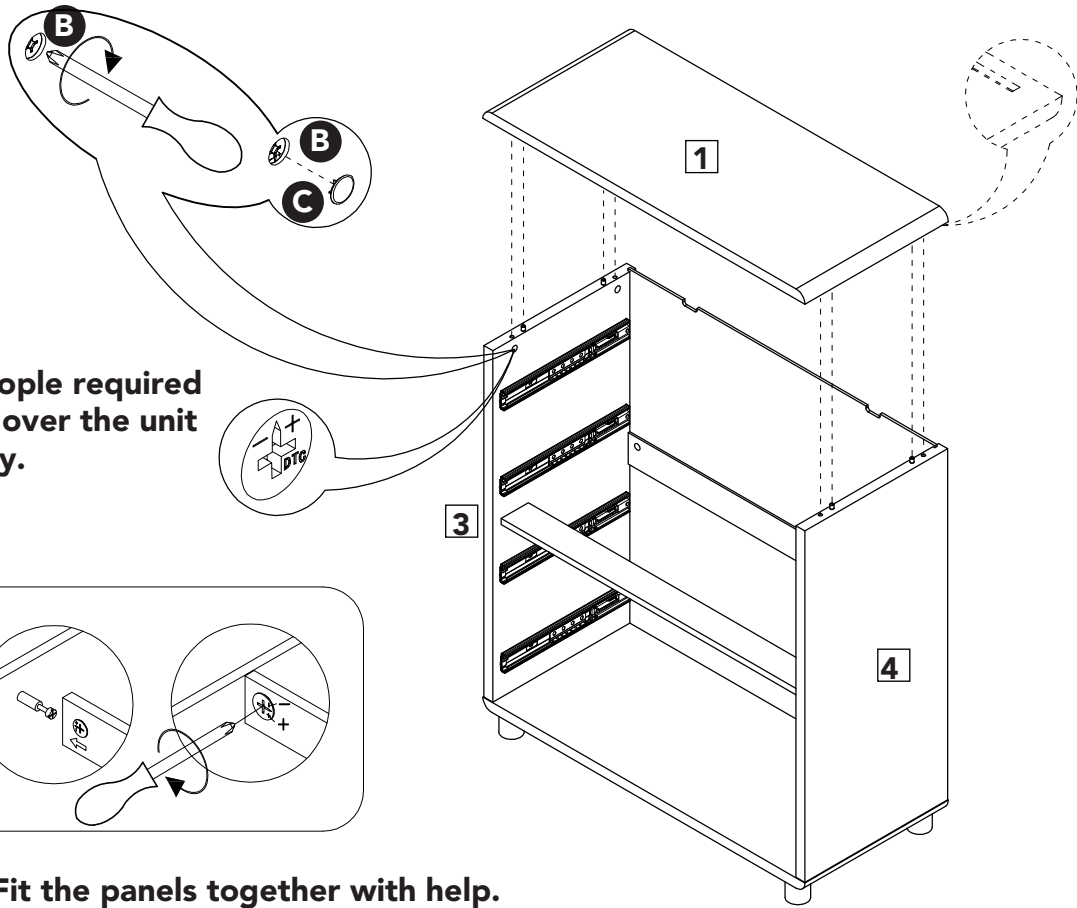


11

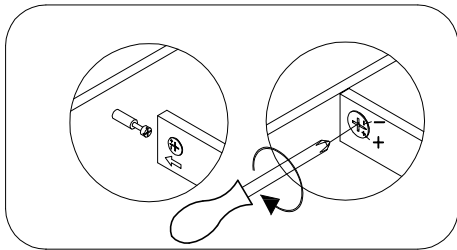
Note: Please place panel on a soft surface like a carpet to avoid scratches.



12



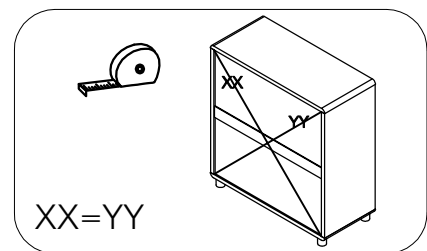
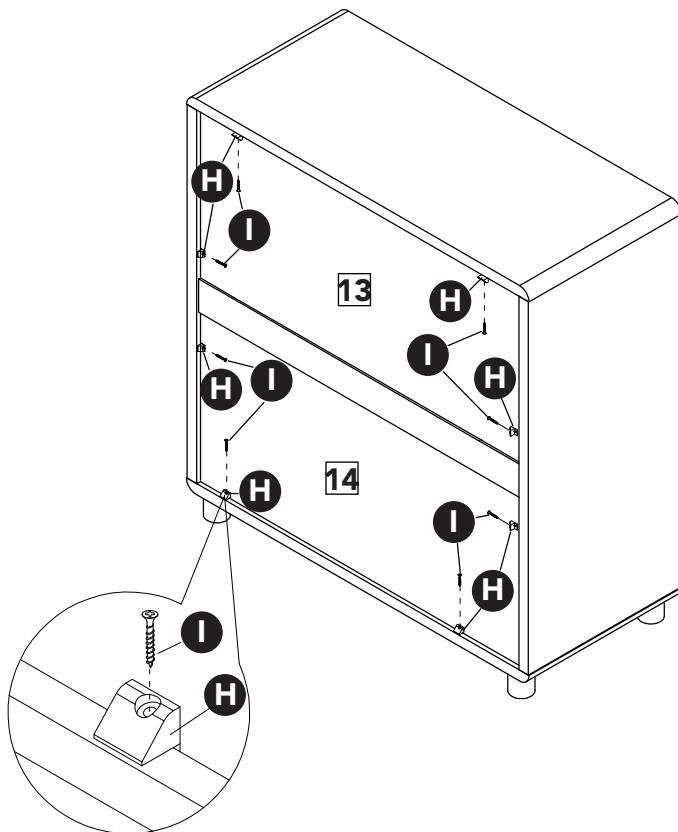
Two people required to turn over the unit carefully.



Fit the panels together with help.

13

Note: Maintain the cabinet alignment when fixing **H**.



Ensure cabinet is in square before fitting back panel

14

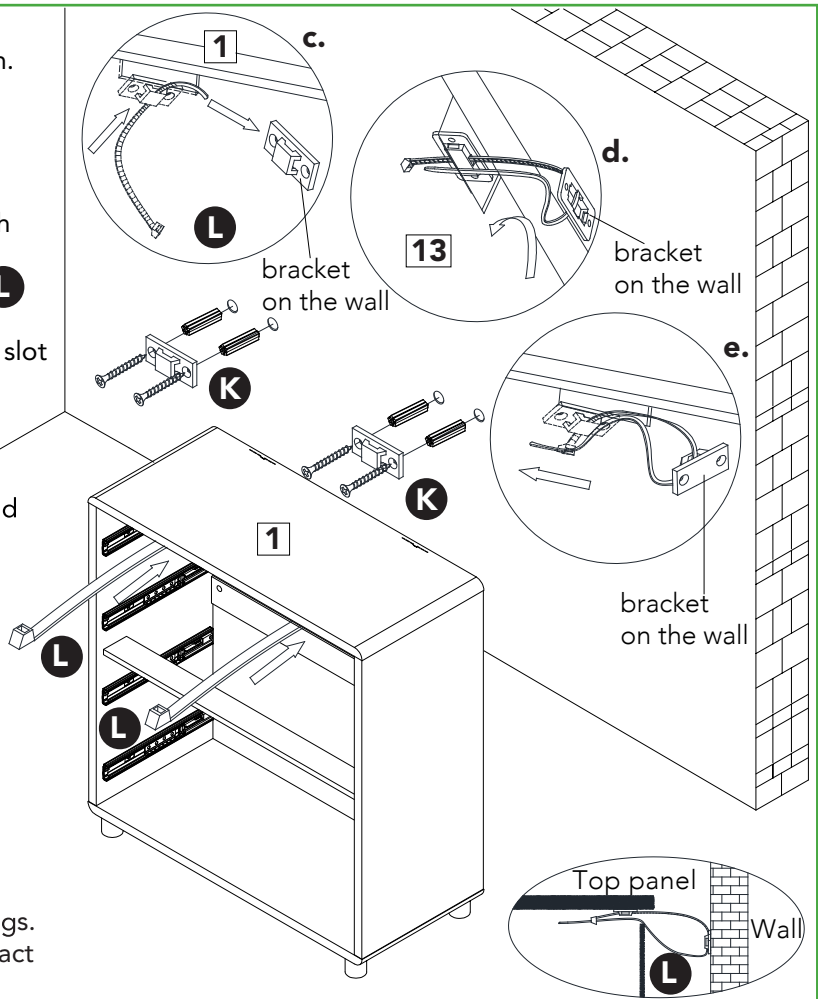
Fixing unit to the wall

- With help, move unit into position. Mark fixing holes on wall and remove the unit.
- Using suitable wall fixings, fix plastic bracket **K** to the wall.
- Turn cable tie **L** so that the smooth side is facing upward. Pass flat end of plastic cable tie **L** through the plastic bracket **K** underneath top panel **1** and the slot in the upper back panel **13**.
- Move unit closer to the wall, and pass flat end of the cable tie through the plastic bracket **K** on the wall, then turn back flat end and pass through the slot in the upper back panel **13** again.
- Insert the flat end of the cable tie into the buckle of the cable tie, then tighten the cable tie.

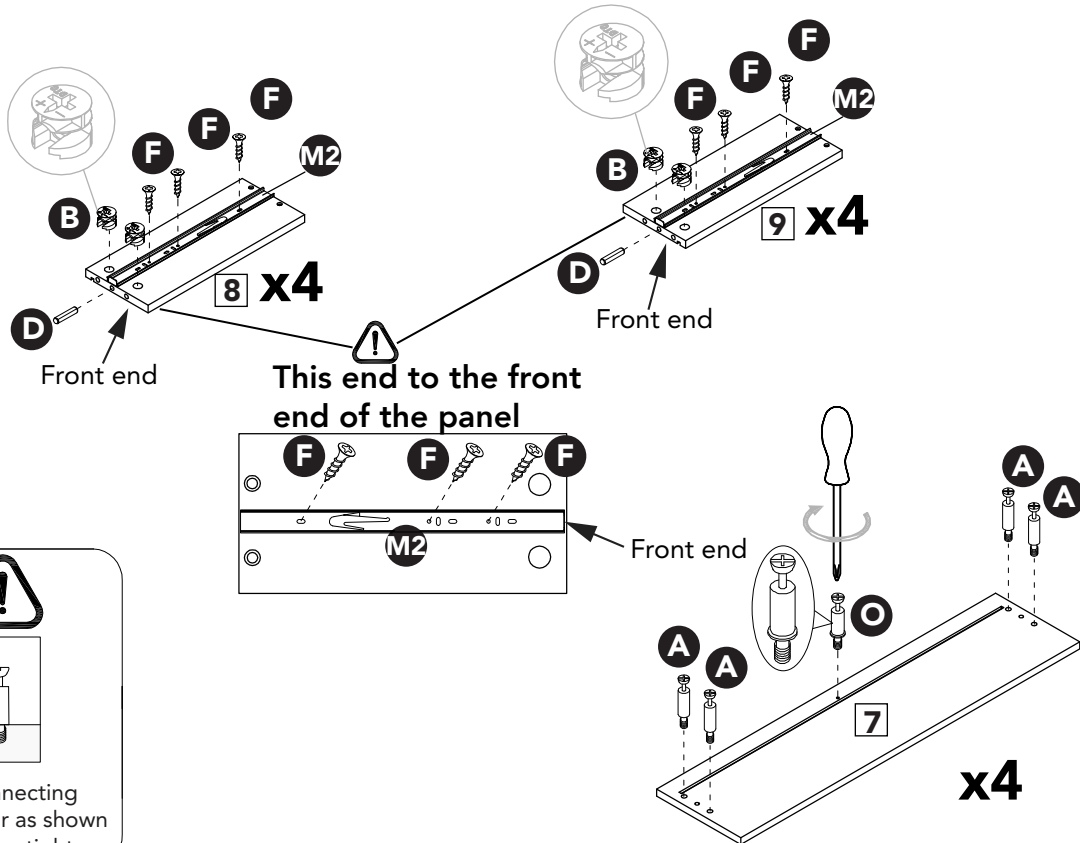


Important note:

It is essential that this product is fixed to a wall using the strap supplied. Wall fixings are not supplied. Different walls require unique wall fixings. For advice on suitable wall fixings, contact your local specialised dealer.

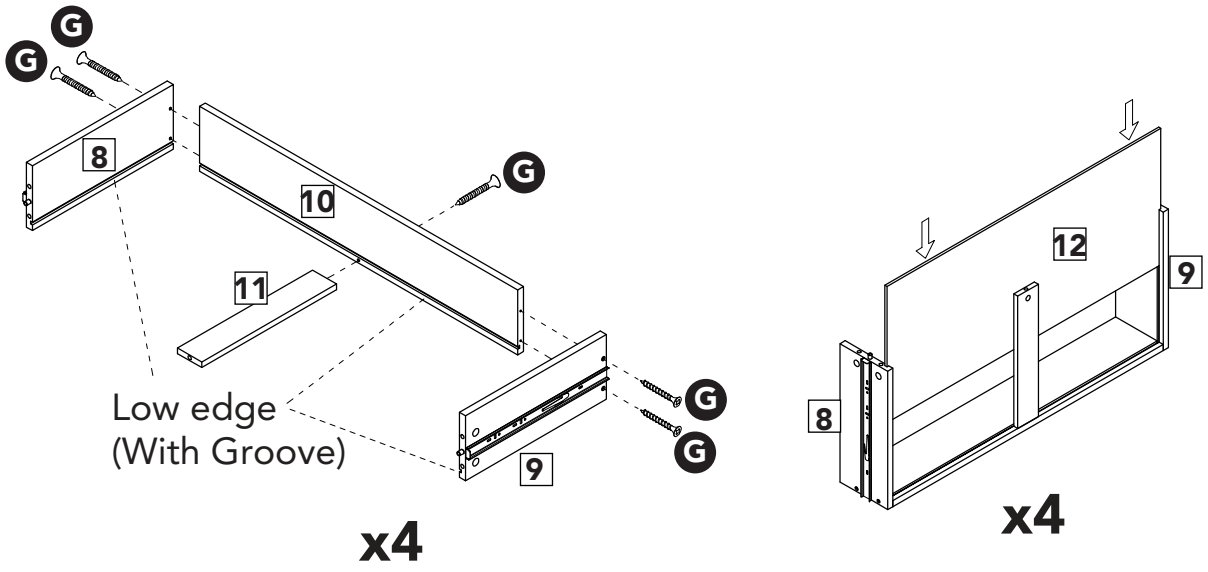


15

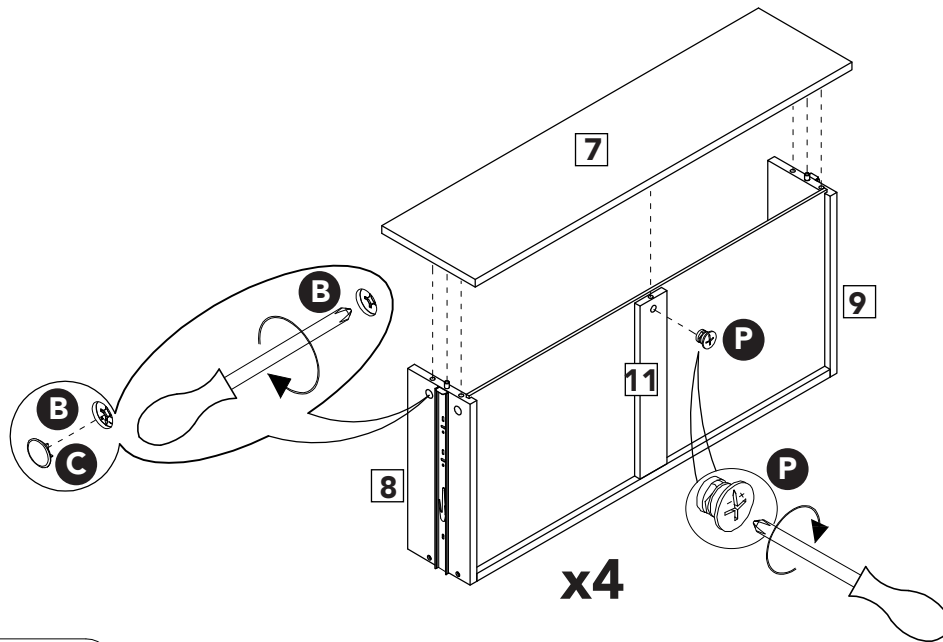


Screw connecting bolts as far as shown. Do not over tighten.

16



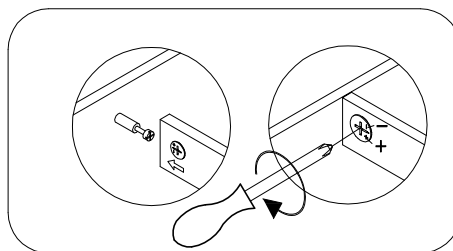
17



Slot

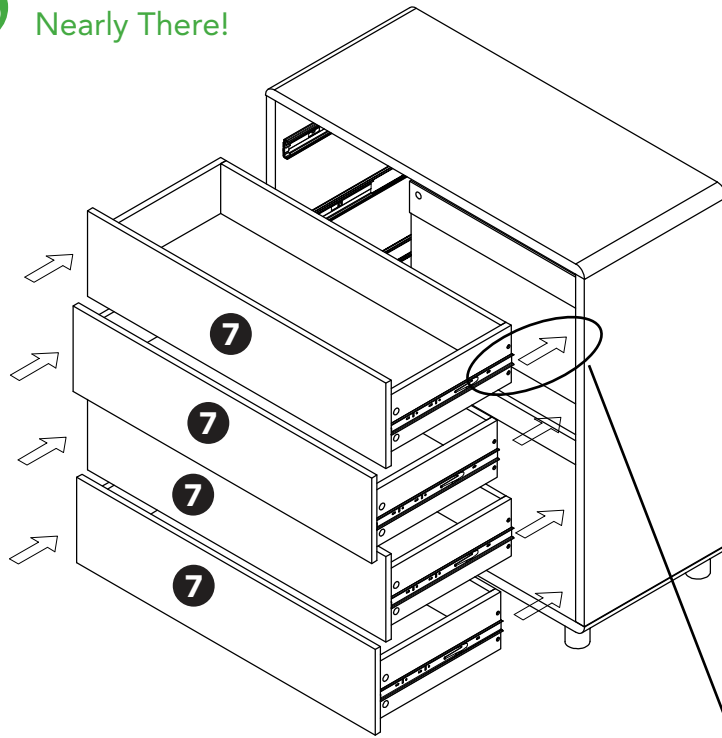
Outlet

Fully insert locking
cams on the boards,
the slot always points
to the outlet of holes.



18

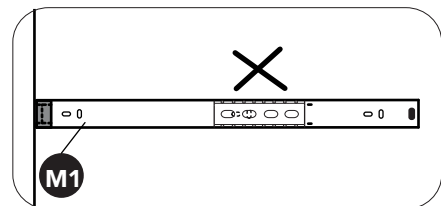
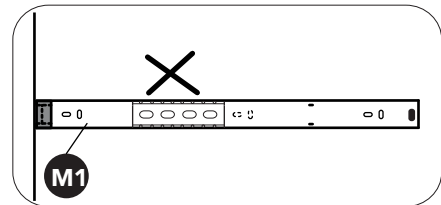
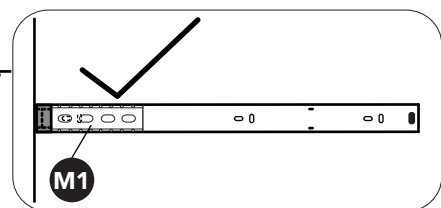
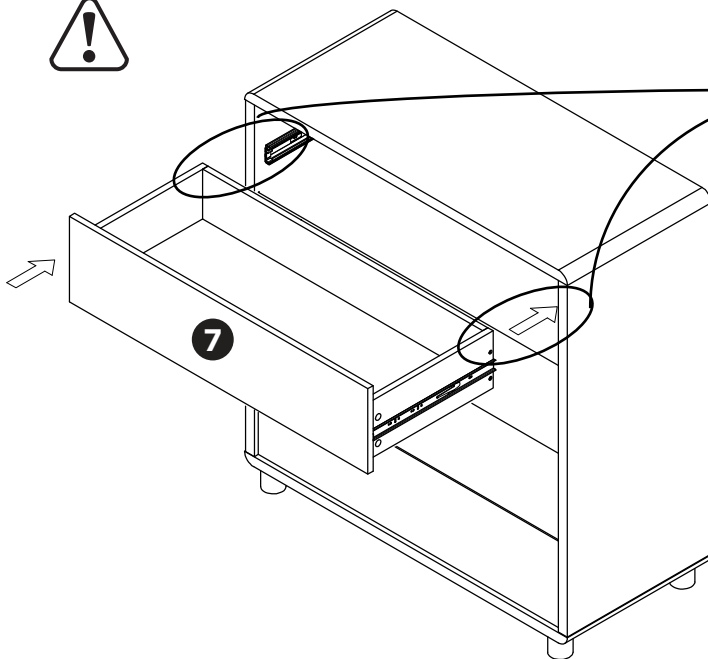
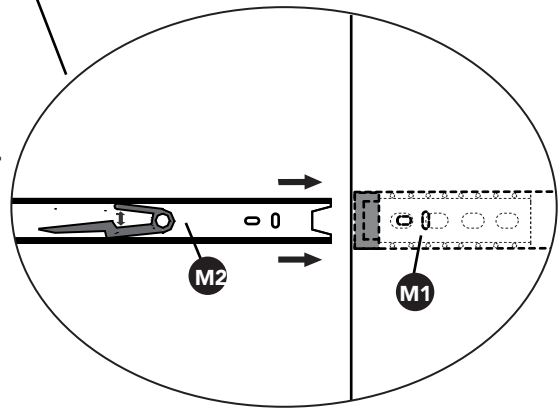
Nearly There!

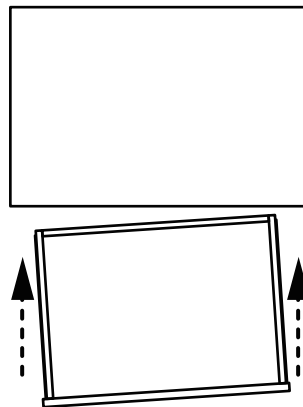
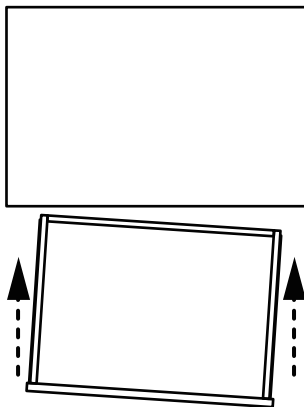
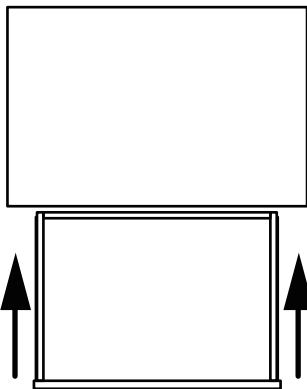
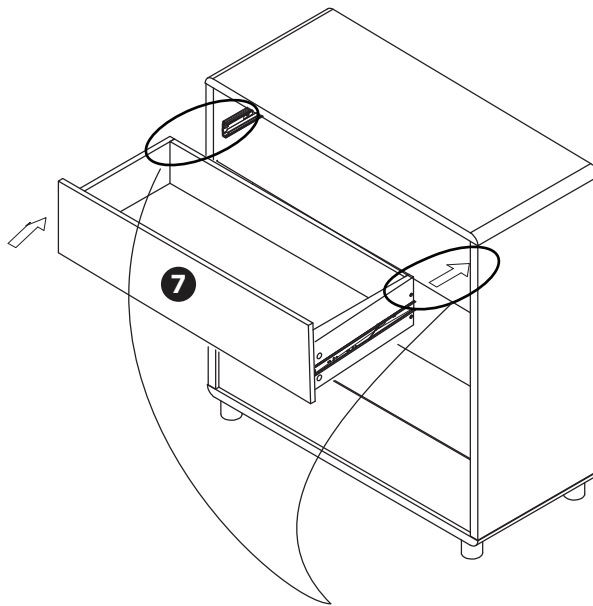
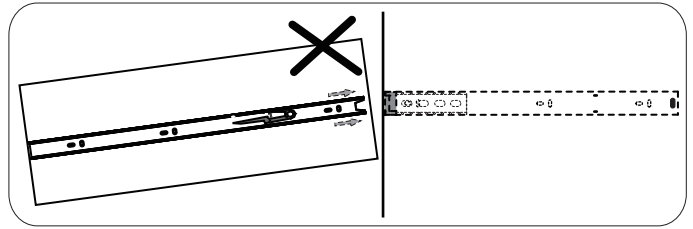
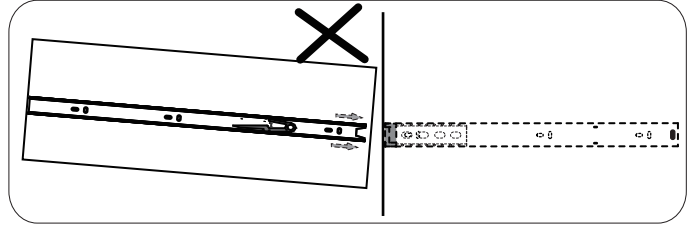
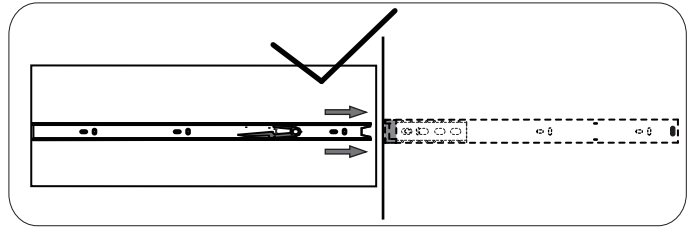
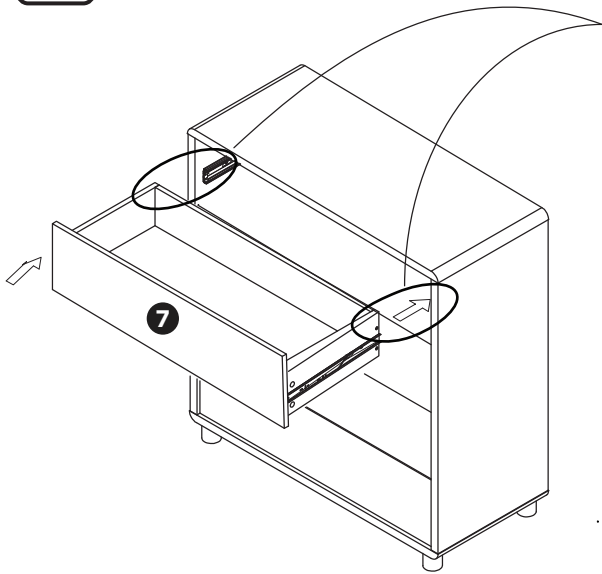


Align the drawers as shown.

Fit both drawer slides **M2** into drawer tracks **M1** straight and evenly, not tilting to one side.

Please make sure both left and right slides are engaged at the same time.





19

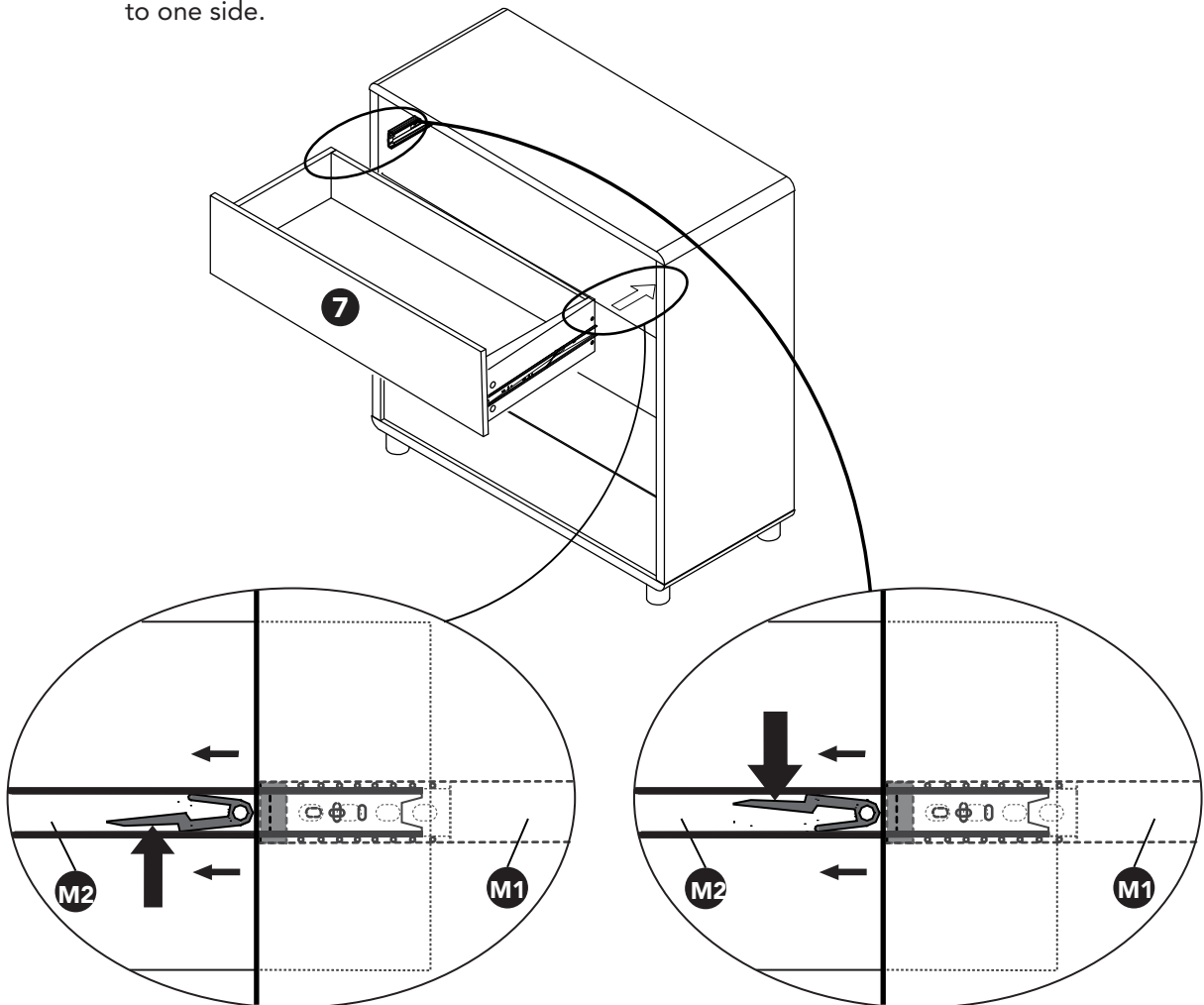


Remove the drawers

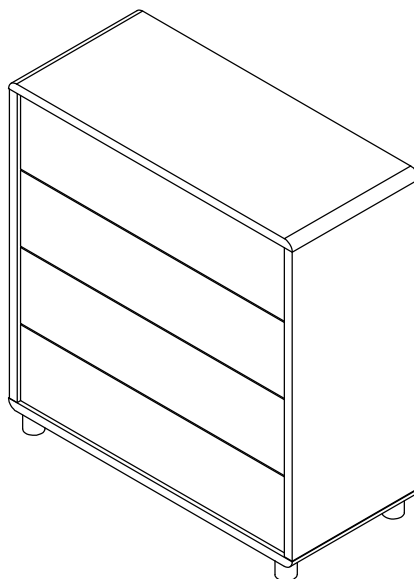
Press the plastic clips on both drawer slides **M2**, helped with a screwdriver.

Detach the drawer slides **M2** from drawer tracks **M1**.

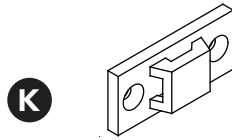
Pull out the drawer straight and evenly, not tilting to one side.



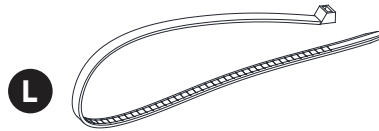
20



Wall Fixings



Strap Base x4

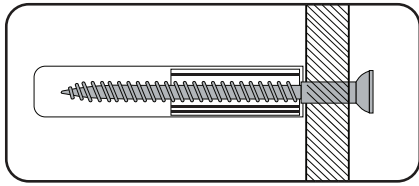


340mm Wall strap x2

- This wall fixing is provided for your safety and we recommend that once in position the unit is secured to the wall for extra stability.
- Wall fixings may vary depending on item of furniture purchased.
- Wall fittings are not provided as different wall types require different raw plugs and screws.
- Please ensure that you use fittings that are suitable for your wall type (see next page for a general guide).
- Please ensure that the head of the screws used has a diameter greater than the diameter of the hole on the wall fixing and that the fixing is safe and secure before using.
- When drilling into the walls, always ensure there are no hidden wires or pipes.
- If you are unsure, we recommend you consult a qualified Trades person.

Wall Fixings

Follow this step-by-step guide



IMPORTANT:

When drilling into walls always check there are no hidden wires or pipes etc. Make sure that the screws and wall plugs being used are suitable for supporting your unit. Consult a qualified tradesperson if you are unsure.

HINTS

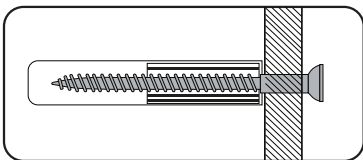
1. General Rule; Always use a larger screw and wall plug if you are not sure.
2. Ensure you use the recommended drill bit to match the wall plug and hole size.
3. Ensure you drill the hole horizontally, do not force the drill or enlarge the hole.
4. Take extra care when drilling high walls, ceilings and ceramic tiles. Ensure the plug is fitting below the ceramic tile to avoid splitting or cracking.
5. Ensure wall plugs are well fitted and are a tight fit in the drilled hole.

Types of Walls

You can use one of the following types of wall plug if your walls are made of brick, breeze block, concrete, stone, wood or plastic board.

1. STANDARD Wall Plug

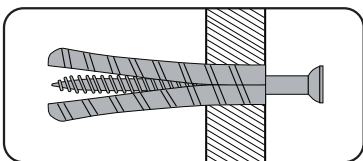
General wall materials



These come in various sizes and are made from plastic or sometimes wood fibre.

2. GENERAL PURPOSE Wall Plug

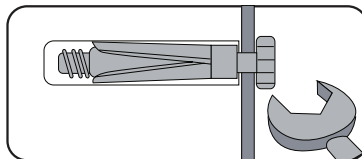
Aerated/Breeze block



Generally aerated blocks should not be used to support heavy loads, use a specialist fitting in this case. For light loads, a General Purpose Plug can be used.

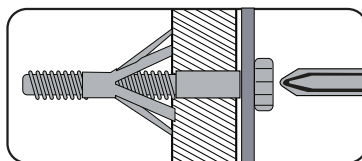
3. SHIELD ANCHOR Wall Plug

Heavy loads



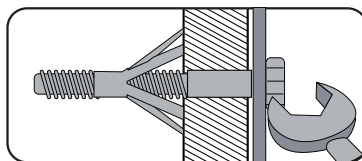
For use with heavier loads such as TV & Hi-fi Speakers and Satellite Dishes etc.

4. CAVITY FIXING Wall Plug



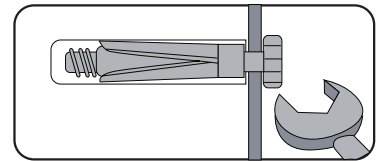
For use with plaster board partitions or hollow wooden doors.

5. CAVITY FIXING HEAVY DUTY Wall Plug




For use with plaster board partitions or hollow wooden doors.


6. HAMMER FIXING Wall Plug



For use with walls stuck with plaster board. The hammer fixing allows it to be fixed to the wall rather than the plaster board. Always check the fixing is secure to the retaining wall.

CARE & MAINTENANCE

 **Safety**
Always check the fitting and location to ensure your safety in and around the home.

 **Fitting**
From time to time check the fitting to ensure the wall plugs or screws do not become loose.

Care and maintenance

- Only clean using a damp cloth and mild detergent, do not use bleach or abrasive cleaners.
- From time to time check that there are no loose screws on this unit.
- This product should not be discarded with household waste. Take to your local authority waste disposal centre.

Finally, we hope you enjoy your furniture for many years to come and thanks again for your purchase.

