

## DEAR CUSTOMER



Thank you for purchasing your new piece of furniture from Dunelm.

We put a lot of effort in the design and construction of our products to ensure they set the standard for quality, durability and ease of assembly.

If for any reason you feel we haven't lived up to the high standards we set ourselves, please don't hesitate in contacting us on 08451 656565 where our team will be very keen to understand what has gone wrong and, more importantly, put it right.

### The next step...

There is no need to feel daunted by the number of parts and fittings in front of you, we have compiled this straight forward, step-by-step guide to make sure that assembling your furniture is as easy as 1, 2, 3.

Before you begin, we advise that you check that you have everything you need to get started.

#### TOP TIP

Find a space to spread these out across the floor before you begin assembling them. Lay each panel down in position, ready to build. It is recommended that two people assemble this product together.

The full list of furniture parts, fixtures and fittings, as well as the tools you will need for assembly, can be found on pages 2 and 3 of this manual.

#### TOP TIP

Identify all of the fittings, make sure that you have them all prepared and familiarise yourself with each component, to make things easier when you are putting it all together.

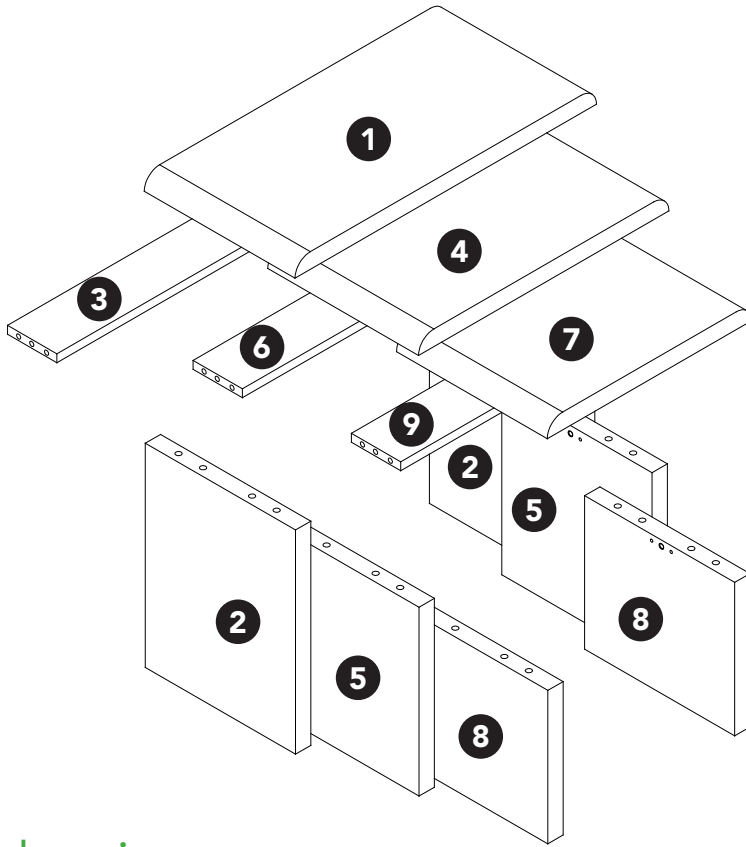
## Safety and Care Advice

**IMPORTANT** - The first step you need to take is to ensure your safety! Please take the time to read and understand these instructions before assembling your furniture.

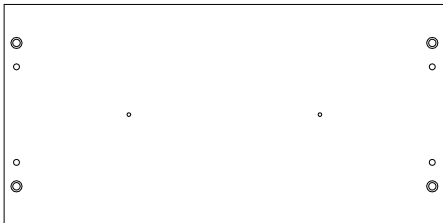
Keep children and animals away from the assembly area.  
This furniture contains small parts that could cause choking if swallowed.  
Keep all plastic wrapping materials away from children to avoid danger of suffocation.  
Ensure that all packaging is disposed of carefully and responsibly.  
Make sure that you allow enough space to move around when assembling your furniture.

# Parts & Fittings for Soho Nest Tables - (30149739 / 30149734)

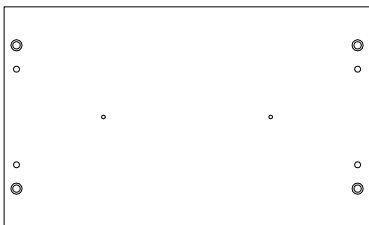
## Panel - exploded view



## Panels - plan view



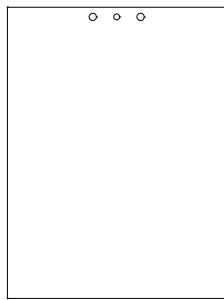
**1** Top Panel - Large  
(59x29.5cm)



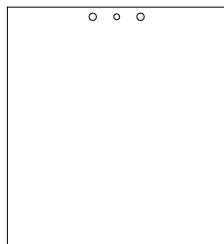
**4** Top Panel - Medium  
(49x29.5cm)



**6** Support Panel - Medium  
(42.8x9.6cm)



**2** Side Panel - Large x2  
(39x29.3cm)



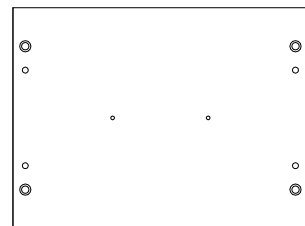
**5** Side Panel - Medium x2  
(32x29.3cm)



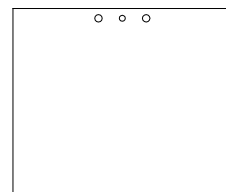
**9** Support Panel - Small  
(33.3x9.6cm)



**3** Support Panel - Large  
(52.8x9.6cm)

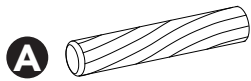


**7** Top Panel - Small  
(39.5x29.5cm)



**8** Side Panel - Small x2  
(25x29.3cm)

## Fittings



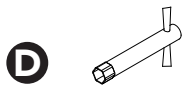
10mm Wooden Dowel x24



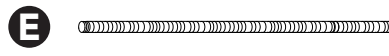
17mm Washer x12



14mm Nut x12



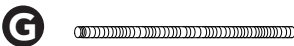
14mm Wrench x1



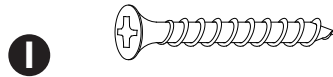
408mm Bolt x4



338mm Bolt x4



268mm Bolt x4



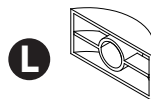
38mm Screw x6



Felt Feet x12



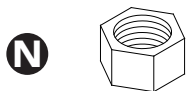
80mm Bolt x6



Half Moon Washer x6



Cap x6

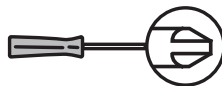


13mm Nut x6

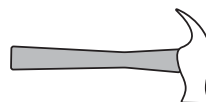


13mm Wrench x1

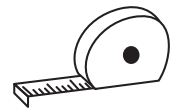
## Tools required



Cross slot screwdriver



Hammer



Tape measure

The use of power tools to assemble the product is not recommended due to the risk of over tightening fixings .

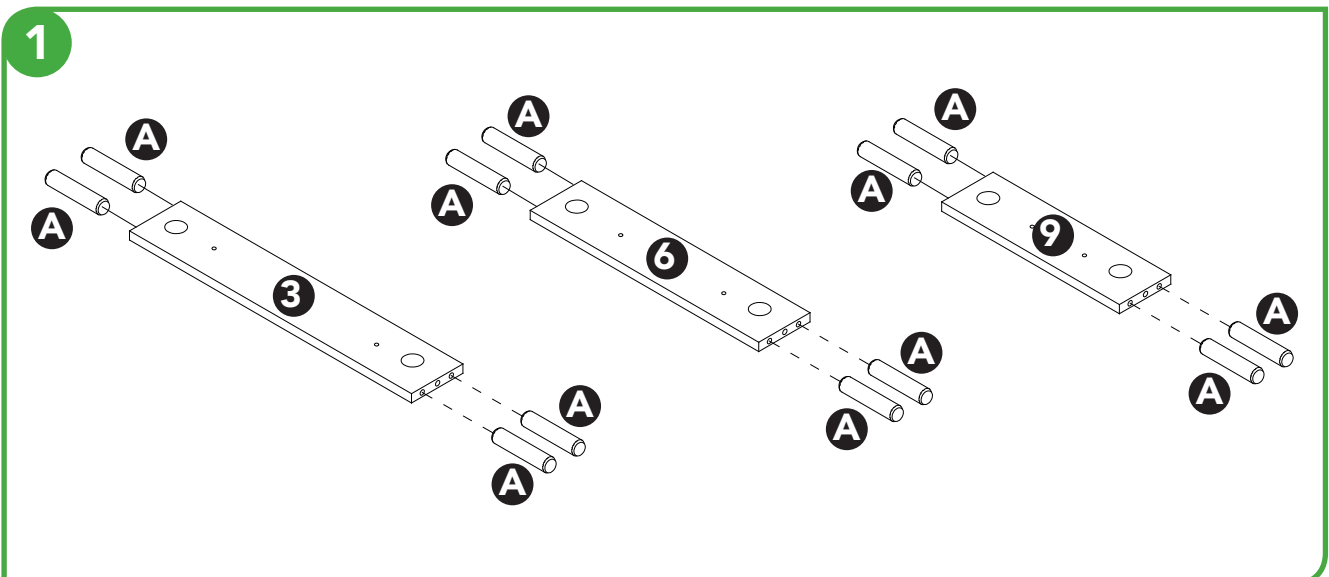
## Before you start

Check the pack and make sure you have all the parts listed above. If not, contact the helpline on 08451 656565 who will be able to help you.

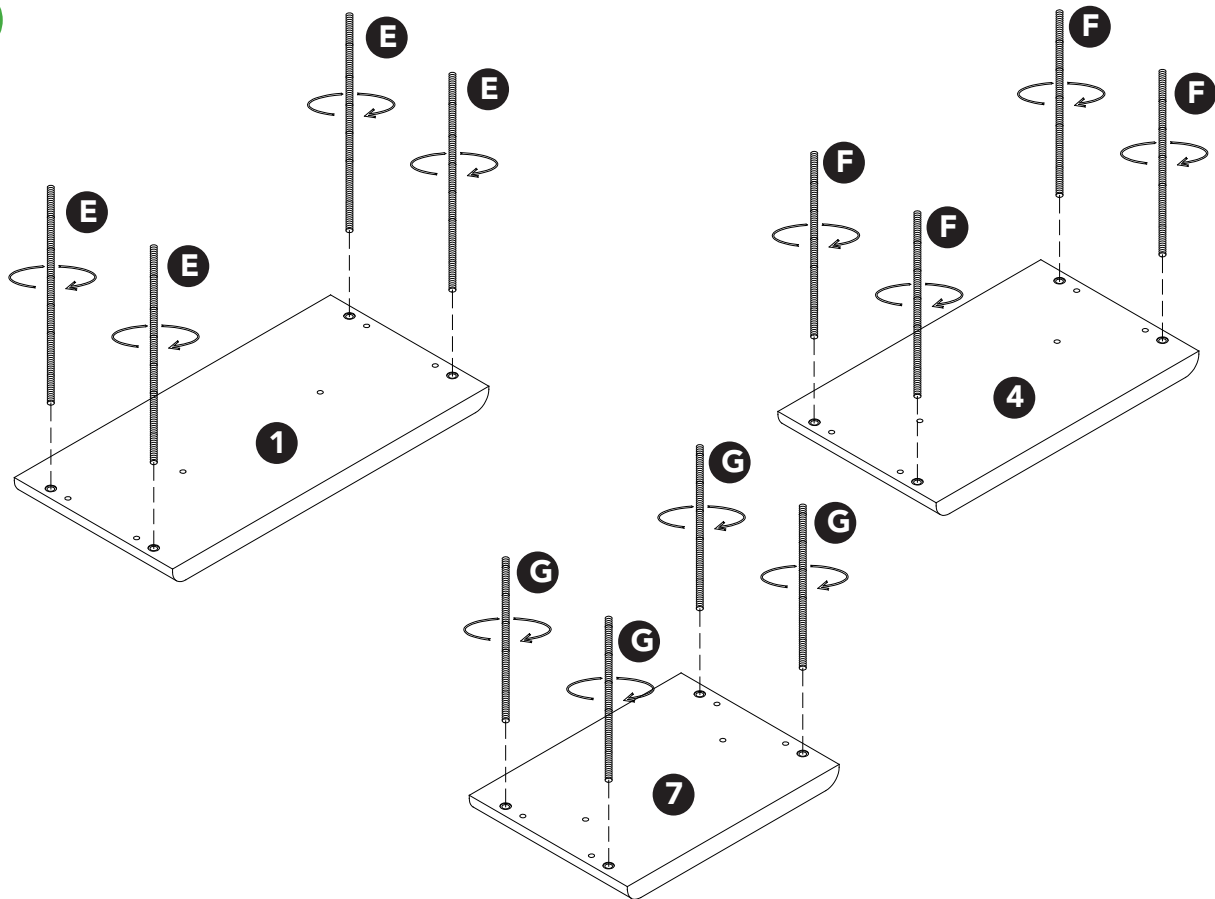
When you are ready and sure that you have the right tools to hand, you will need plenty of space and a clean dry area for assembly.

## Ready?

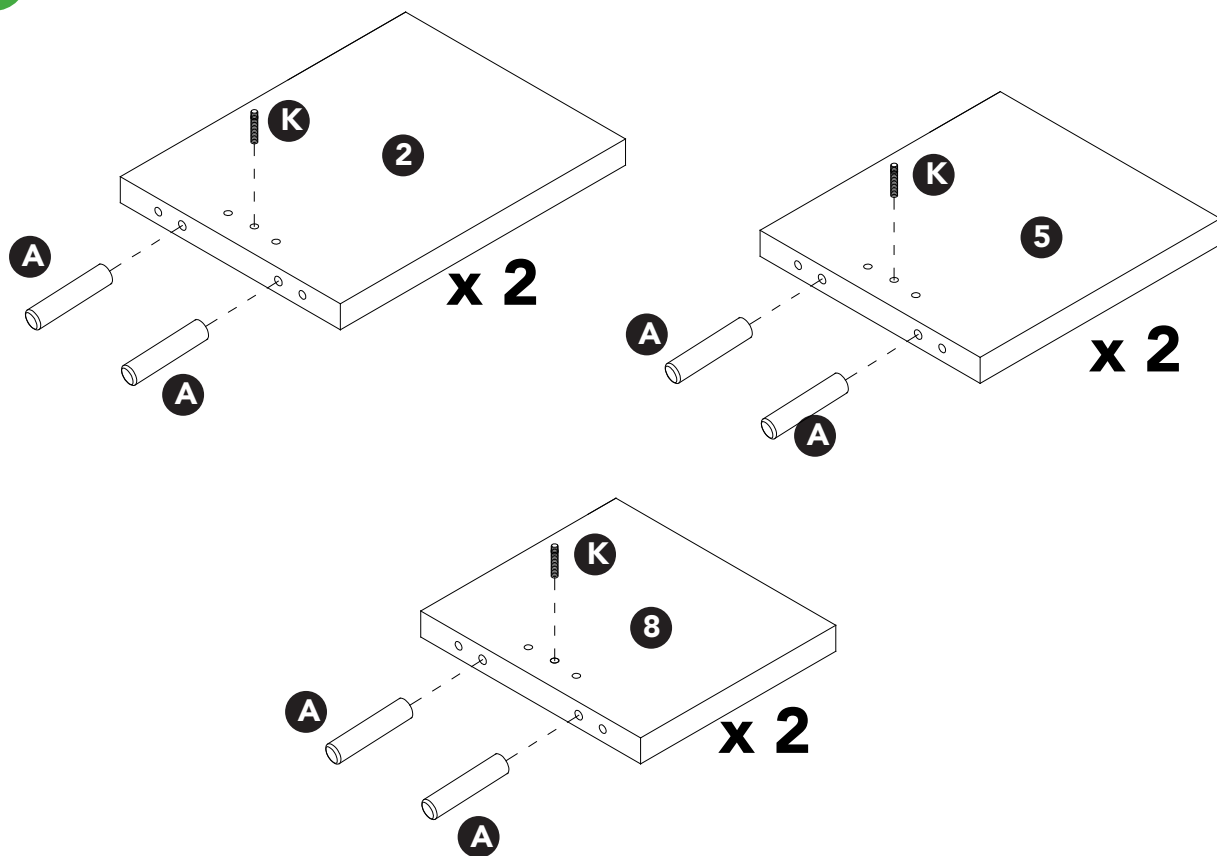
Follow this step-by-step guide

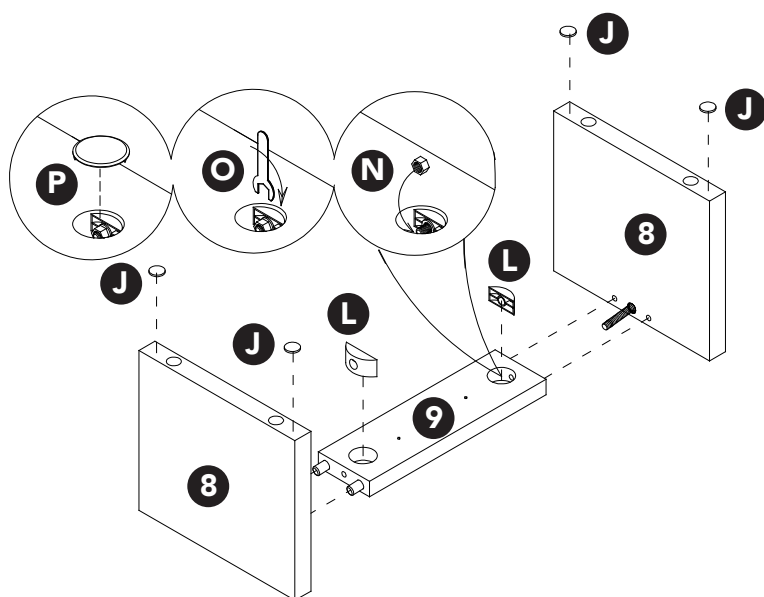
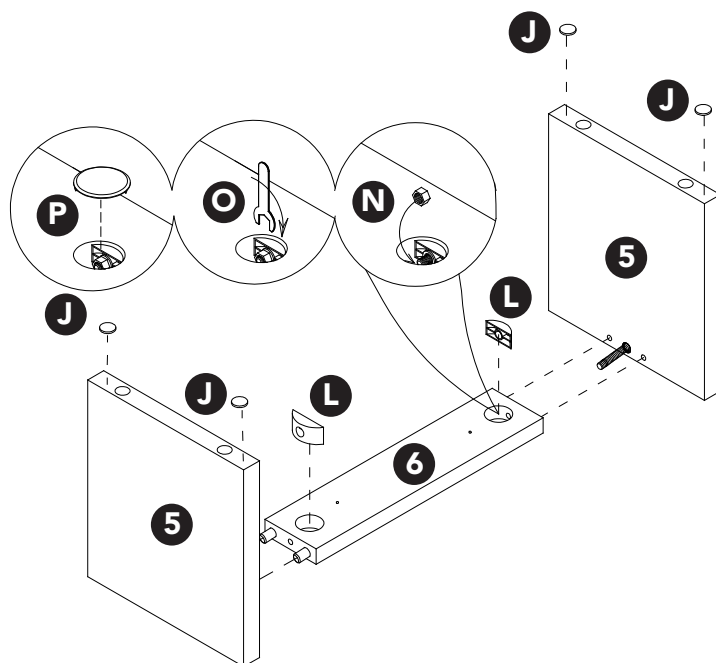
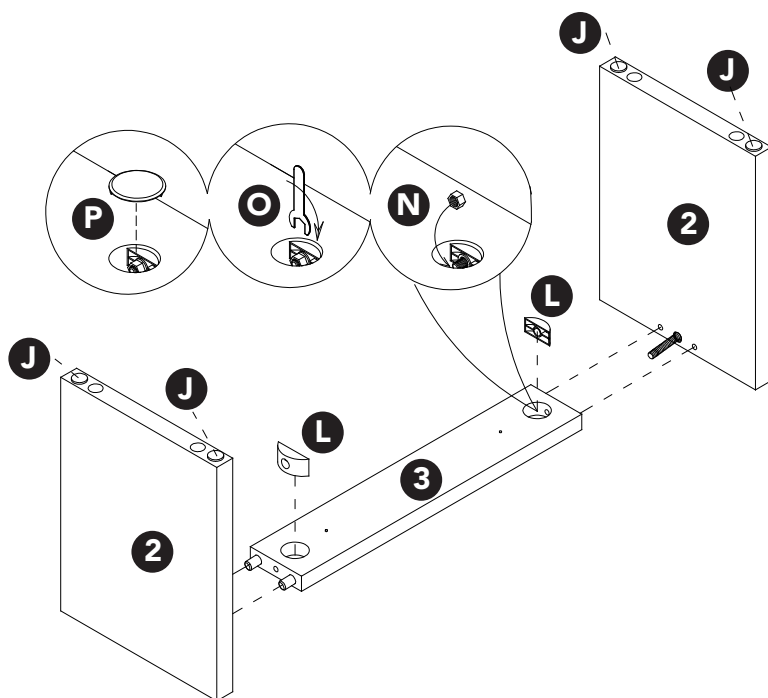


2

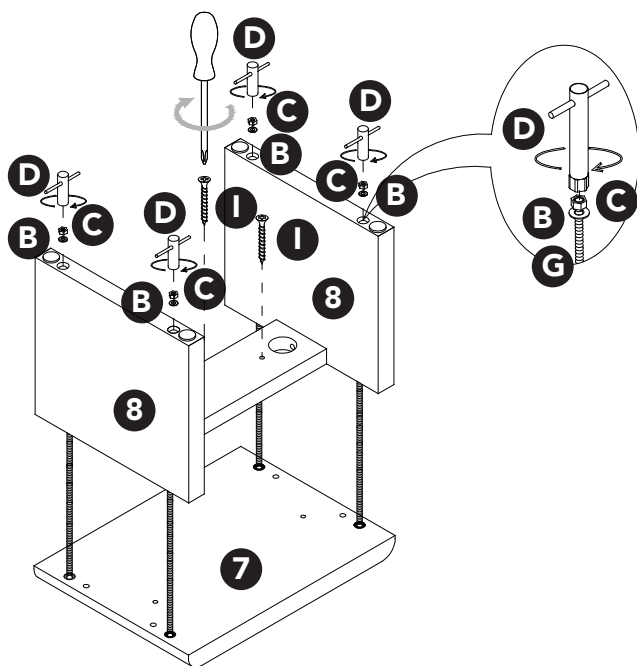
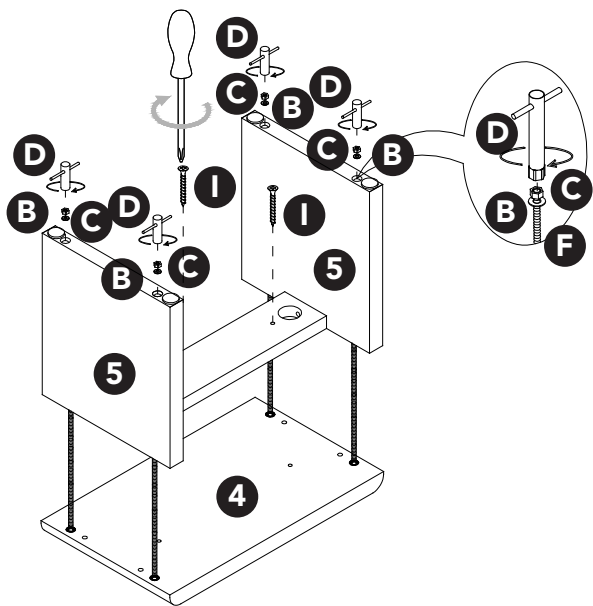
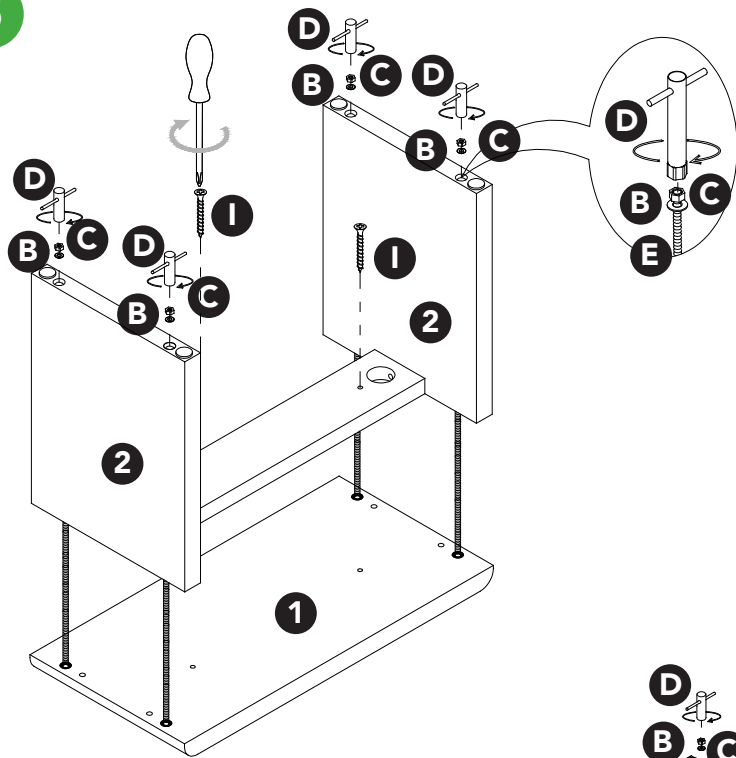


3

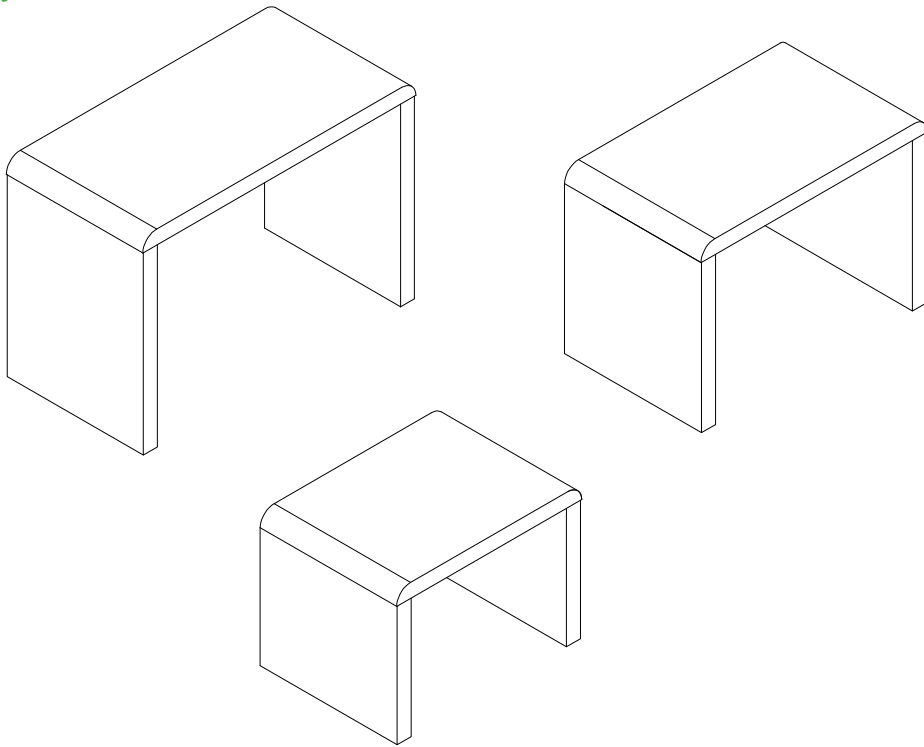




5

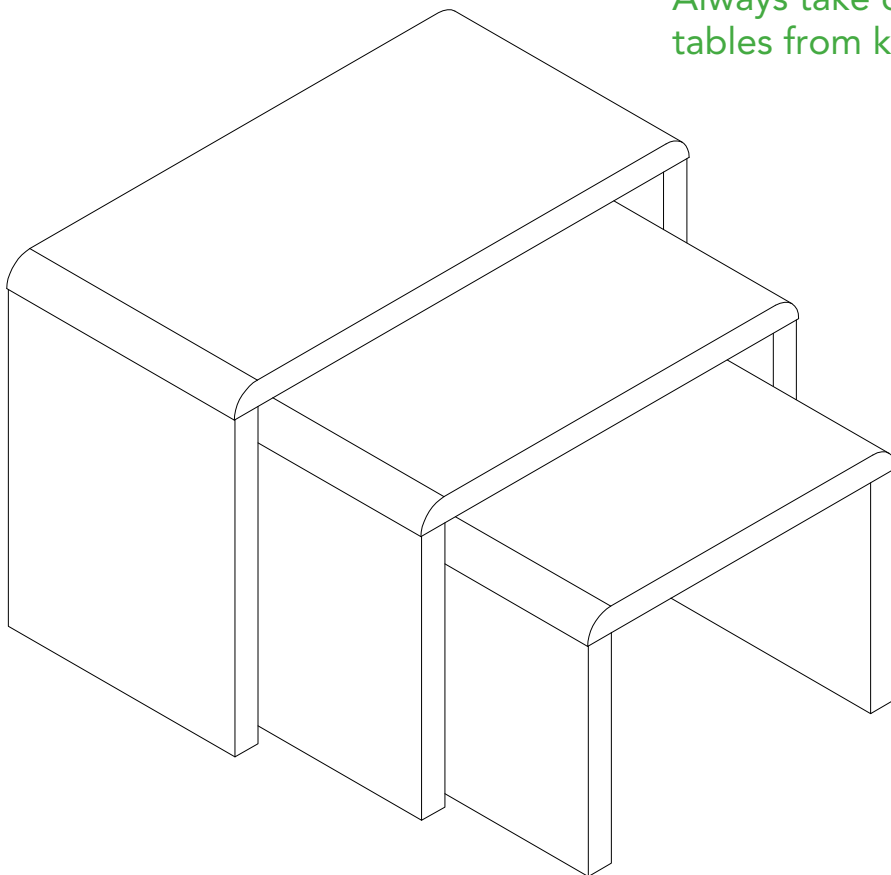


**6** Nearly There!



**7**

**Note:**  
Always take care to prevent  
tables from knocking one another.



## Care and maintenance

- Only clean using a damp cloth and mild detergent, do not use bleach or abrasive cleaners.
- From time to time check that there are no loose screws on this unit.
- This product should not be discarded with household waste. Take to your local authority waste disposal centre.

Finally, we hope you enjoy your furniture for many years to come and thanks again for your purchase.

